



AIRCRAFT HOLDINGS

FALCON 2000LX



Year 2010 | Registration: N62LX | Serial Number: 162

Market Intelligence, Market Relevance, Market Experience

FALCON 2000LX

Serial Number: 162
Registration: N62LX



AIRCRAFT HOLDINGS

AIRCRAFT LISTING DETAILS

APU: HONEYWELL GTCP 36-150FM2

Total Hours 3800

Total Hours 2863

Total Landings 1992

ENGINE(S): PRATT & WHITNEY PW308C

Model PW 308 C

Total Hours

Engine 1

3800

Engine 1

3800

Engine Cycles

1992

1992

FEATURES / HIGHLIGHTS

Low Airframe Hours - 22% Less Than The Fleet Average

Fresh 2C & Gear Overhaul by Dassault-Le Bourget

10 Passenger Interior Configuration

2018 Interior Refurbishment by Jet Aviation-Basel

Next Gen Upgrades:

- o EASy II Cert 4
- o SmartView SVS - Synthetic Vision System
- o CPDLC with FANS 1/A & ATN
- o Enhanced Nav with WAAS-LPV
- o Dual Jeppesen Charts

Aircell Axxess II Iridium Satcom

88 Parameter Flight Data Recorder

ESP Gold & MSP Gold

FALCON 2000LX

Serial Number: 162
Registration: N62LX



AIRCRAFT HOLDINGS

AVIONICS

Honeywell Primus EPIC EASy II Avionics Suite

Honeywell EASy 4-TUBE EFIS

Honeywell EASy Autopilot

Smartview SVS - Synthetic Vision System

Dual Honeywell TR-866B Comms

Dual Honeywell NV-875A Navs

Dual Honeywell DF-855 ADFs

Dual Honeywell DM-855 DMEs

Dual Honeywell XS-875A Transponders w/Enhanced Flight ID

Triple Honeywell EASy FMS w/GPS

Triple Honeywell Laseref V IRS

Dual Collins HF 9000 Comms w/AVTEC CSD-714 SELCAL

Honeywell RT-300 Radio Altimeter

Honeywell ACSS 3000 (TCAS II) w/Change 7.1

Honeywell Enhanced GPWS w/Windshear

Honeywell Primus 880 Radar

Honeywell Digital Flight Data Recorder (88 Parameters)

Honeywell SS Cockpit Voice Recorder

ADT-406AF 3-Frequency ELT

FALCON 2000LX

Serial Number: 162
Registration: N62LX



AIRCRAFT HOLDINGS

AVIONICS

Connectivity:	Aircell Axxcess II Iridium SATPHONE w/Two (2) Handsets
Entertainment:	Airshow 410 w/Worldwide Maps Dual DVD Players Honeywell 20" LCD Bulkhead Monitor Four (4) Rosen Plug-In Receptacles Two (2) Rosen 7" Individual Monitors Eight (8) Sony Headsets
Next Gen Upgrades::	EASy II Cert 4 (SB F2000EX-450) Enhanced Nav with WAAS-LPV (SB F2000EX-301) ADS-B Out (SB F2000EX-302) SmartView SVS - Synthetic Vision System (SB F2000EX-303) Dual Jeppesen Charts (SB F2000EX-305) CPDLC with FANS 1/A & ATN (SB F2000EX-308 & F2000EX-309) VDL Mode 2 Radio in 3rd VDR position (SB F2000EX-310)
Maintenance Programs:	Engines on P&W ESP Gold APU on Honeywell MSP Gold CAMP Maintenance Tracking Program



FALCON 2000LX

Serial Number: 162
Registration: N62LX



AIRCRAFT HOLDINGS

AVIONICS

Inspection Status:

Inspection	Complied With	Next Due
12 Month/800 Hour	August 2021	August 2022
24 Month/1600 Hour	August 2021	August 2023
36 Month/2400 Hour	August 2021	August 2024
12 Month	August 2021	August 2022
24 Month	August 2021	August 2023
36 Month	August 2021	August 2024
1B (1600 Hours)	Mar 2019@2955 Hrs	4555 Hrs
2B (3200 Hours)	Mar 2019@2955 Hrs	6155 Hours
3B (4800 Hours)	N/A	4800 Hours
1C (72 Months)	August 2021	August 2027
2C (144 Months)	August 2021	August 2033
3C (216 Months)	N/A	March 2027

Features/Options:

(New October 2021) Updated Engine Data Collection Transmission Unit (DCTU/FAST) F2000EX SB 477R1, Compatible w/4G Network

Meggitt MK2 Secondary Flight Display System
ERDA 3rd Flight Deck 16G Seat
Honeywell EASy Auto Throttles
Honeywell Data Acquisition & Central Maintenance System
Wingtip LED Navigation Lights
SIRS Standby Magnetic Compass
Eight (8) 110 VAC 50Hz Outlets
Cockpit Sun Visors
Medeco Locks

FALCON 2000LX

Serial Number: 162
Registration: N62LX



AIRCRAFT HOLDINGS

AVIONICS

Interior:

2018 Refurbishment by Jet Aviation-Basel
(New Leather, Sidewalls & Brushed Nickel Colored Plating),
New Galley Floor October 2021

Ten (10) passenger interior featuring a four-place

Club arrangement in the forward cabin, followed by a four-place conference/dining group with manual table opposite a two-place club in the aft cabin.

The cabin is completed in earth tones, the individual chairs are completed in light beige colored leather (new 2018) and beige carpet throughout.

The cabinetry is finished in Makore high-gloss veneer, complimented by tasteful "brushed nickel" colored plating (new 2018). The 3rd flight deck seat (ERDA) also has a storage drawer.

Cabin amenities include accordion window shades, a hi-lo dining/coffee table, a forward 46" galley (new flooring 2021) with a TIA microwave, a Nespresso machine, ice chest and storage for glassware; a right hand 15" galley annex; an aft lavatory with external servicing and a complete entertainment system.

Exterior:

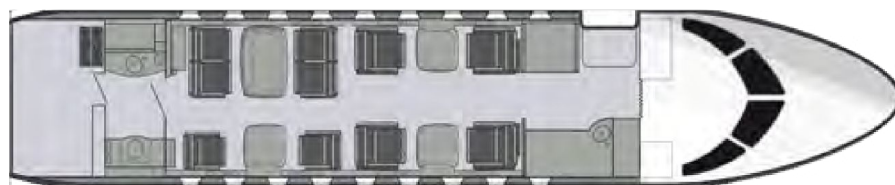
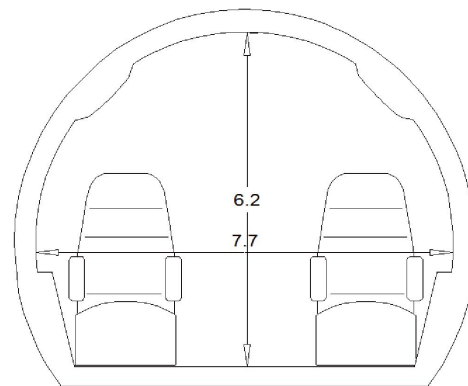
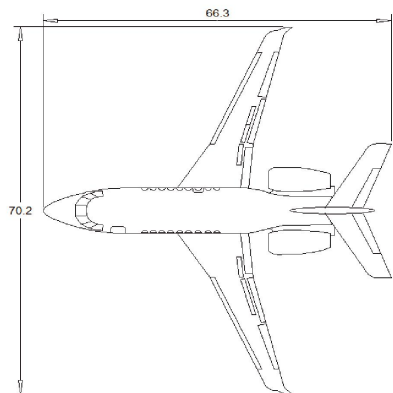
Overall White with Blue & Gold Accent Striping.

FALCON 2000LX

Serial Number: 162
Registration: N62LX



AIRCRAFT HOLDINGS





AIRCRAFT HOLDINGS





AIRCRAFT HOLDINGS





AIRCRAFT HOLDINGS





AIRCRAFT HOLDINGS





AIRCRAFT HOLDINGS





AIRCRAFT HOLDINGS

EXIT





ACH

AIRCRAFT HOLDINGS

Market Intelligence, Market Relevance, Market Experience

443.852.5542 | Kip@ac-holdings.net | www.ac-holdings.net