

2016 Bombardier SN 20613

# Challenger 350



CLICK TO VIEW  
VIRTUAL TOUR



CLICK TO VIEW  
VIDEO



**AVPRO** INC.  
www.avprojets.com

EXECUTIVE SALES DIRECTOR

**Eddie Kilkeary III**  
ekilkeary@avprojets.com  
+1.410.573.1515

# 2016 Challenger 350 SN 20613 N680GM

---

## Aircraft Listing Details:

Total Hours: 2276  
Total Landings: 1472

---

## Engines: Honeywell AS907-2-1A

	#1	#2
Total Hours:	2276	2276
Engine Cycles:	1482	1483
Serial Numbers:	P136333	P136335

## APU: Honeywell GTCP 36-150(BD)

Total Hours: 1888  
Serial Number: P-697

---

## Aircraft Highlights:

- All U.S. Corporate Ownership Since New
- Professionally Managed & Operated
- Engines & APU Enrolled on 100% JSSI Coverage
- Airframe Enrolled on Bombardier Smart Parts
- Bombardier Factory & West Star Aviation Maintained
- Preferred 9 Passenger Divan Floorplan + Belted Lavatory
- GoGo ATG-5000 Domestic WiFi
- FANS 1/A+ / CPDLC / Link 2000+
- MultiScan Weather Radar / Synthetic Vision / 3D + Enhanced Map Overlays
- FlightDocs Maintenance Tracking
- Engine Inlet & Thrust Reverser Corrosion Mods Complied With

## Avionics:

- Collins ProLine 21 Advanced System
- Enhanced Map Overlays (SB350-46-004)
- Dual FGC-3002 Flight Guidance Computers
- 4-Tube AFD-5220E EFIS/MFD w/Synthetic Vision (SB350-34-012)
- Engine Instrument/Crew Alerting System (EICAS)
- DCU-5000 Data Concentrator Unit
- RDC-5000 Remote Data Concentrator Unit
- DBU-5010E Database Loader
- Dual ADC-3000 Air Data Computers
- Dual AHC-3000 AHRS Computers
- ALT-4000 Radio Altimeter
- Triple VHF-4000 Comms w/8.33 MHz Spacing (SB350- 23-003)
- Dual NAV-4000 with 2nd ADF (SB350-34-001)
- Dual DME-4000 DMEs
- TDR-94D Transponder w/ ADS-B Out & Enhanced Surveillance
- Dual FMC-6200 Flight Management System
- Dual GPS-4000S GPS (WAAS/LPV)
- Honeywell Mark V EGPWS
- TSS-4100 TCAS II and Transponder w/ ADS-B Out
- Dual HF-9000 HFs w/SELCAL (SB350 23-001 & 002)
- Dual File Server Units (SB350-46-001)
- RTA-4100 Series Multi-Scan Weather Radar
- Link2000+
- Universal Weather on MFD (SB350-46-003)
- 3D Navigational Map (SB350-34-003)
- FA2100 Cockpit Voice Recorder 120 Mins w/RIPS (SB350- 23-009)
- FA2100 Flight Data Recorder (w/SB350-31-001)
- Artex C406-N MHz ELT w/Nav (FAA, TCCA, EASA STC)

SPECIFICATIONS ARE PROVIDED FOR INFORMATIONAL PURPOSES ONLY AND DO NOT CONSTITUTE REPRESENTATIONS OR WARRANTIES. THESE SPECIFICATIONS ARE SUBJECT TO BUYER'S INDEPENDENT VERIFICATION UPON INSPECTION.  
THE AIRCRAFT IS SUBJECT TO PRIOR SALE, LEASE AND/OR REMOVAL FROM THE MARKET WITHOUT PRIOR NOTICE. FEBRUARY 23, 2024 10:39 AM

# 2016 Challenger 350 SN 20613 N680GM

---

## Connectivity:

- Aircell ATG-5000 w/ WiFi (STC FAA,TCCA,EASA)
  - SAT-2200 Inmarsat Satcom System (SB350-23-012)
  - Aspire 100 Dual Channel Iridium Phone System
  - Datalink System w/ SELCAL Selective Calling (SB350-23- 004)
  - Link 2000+ Option (SB350-23-010)
- 

## Entertainment:

- Cabin Entertainment System
  - Blu-Ray Player
  - HDMI
  - iPod Dock
  - USB Port
  - Forward & Aft Bulkhead Mounted 22" LCD Monitors
  - NiceView Passenger Information System
  - 3-D Navigational Map (SB350-34-003)
- 

## Maintenance Programs:

- Engines & APU Enrolled on JSSI
  - Airframe Enrolled on SmartParts Plus
  - Enrolled on Flight Docs
- 

## Inspection Status:

Inspection	Compliance	Next Due
12 Month	September 2023	September 2024
24 Month	September 2023	September 2025
36 Month	September 2021	September 2024
48 Month	February 2024	February 2028
96 Month	February 2024	February 2032
192 Month	March 2016	March 2030

---

## Navigation Compliance:

- Synthetic Vision System (SB350-34-012)
  - FANS 1/A+ (SB350-23-011)
  - ADS-B Out
  - WAAS / LPV
  - RVSM, MNPS, RNP Approach, RNP-4, RNP-5, RNP-10 Capable
  - 8.33 Spacing
- 

## Weights:

Gross (Ramp).....	40,750 lbs.
Max Take Off.....	40,600 lbs.
Max Landing.....	34,150 lbs.
Max Zero Fuel .....	28,200 lbs.
Empty.....	24,270 lbs.

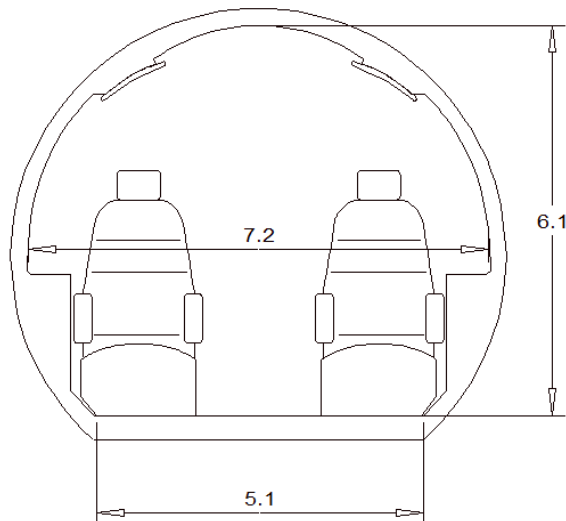
---

SPECIFICATIONS ARE PROVIDED FOR INFORMATIONAL PURPOSES ONLY AND DO NOT CONSTITUTE REPRESENTATIONS OR WARRANTIES. THESE SPECIFICATIONS ARE SUBJECT TO BUYER'S INDEPENDENT VERIFICATION UPON INSPECTION.  
THE AIRCRAFT IS SUBJECT TO PRIOR SALE, LEASE AND/OR REMOVAL FROM THE MARKET WITHOUT PRIOR NOTICE. FEBRUARY 23, 2024 10:39 AM

## 2016 Challenger 350 SN 20613 N680GM

### Features/Options:

- Lighted Chart Holders
- Logo Lights (SB350-33-002)
- Pulselights (SB350-33-001)
- 2nd Tail LED Nav Lights & Wingtip Strobe (SB350-33-004)
- Supplemental Oxygen Bottle
- 115 VAC Outlets (Cockpit, Cabin & Lav)
- Microwave Oven
- Coffee Maker

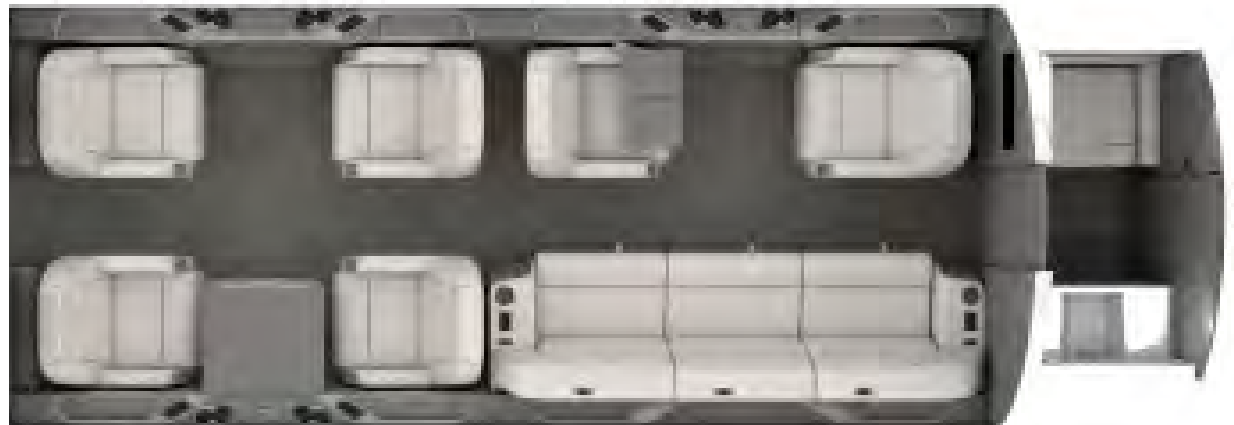


### Interior:

*Bombardier Completion Center, Montreal, Canada, March 2016.*  
Ten (10) passenger seating including the belted lavatory seat. The cabin features a fully equipped forward galley followed by four (4) executive seats in a forward club arrangement with two executive foldout tables, two (2) executive seats with insertable table on RH aft side and a three (3) place divan on the LH aft side. Belted aft lavatory for a 10th passenger.

### Exterior:

*Bombardier Completion Center, Montreal, Canada, March 2016.*  
Matterhorn White w/Cork Brown, Black & Gamma Grey Striping.



SPECIFICATIONS ARE PROVIDED FOR INFORMATIONAL PURPOSES ONLY AND DO NOT CONSTITUTE REPRESENTATIONS OR WARRANTIES. THESE SPECIFICATIONS ARE SUBJECT TO BUYER'S INDEPENDENT VERIFICATION UPON INSPECTION.  
THE AIRCRAFT IS SUBJECT TO PRIOR SALE, LEASE AND/OR REMOVAL FROM THE MARKET WITHOUT PRIOR NOTICE. JULY 19, 2023 4:13 PM



2016 Challenger 350 SN 20613 N680GM

---



SPECIFICATIONS ARE PROVIDED FOR INFORMATIONAL PURPOSES ONLY AND DO NOT CONSTITUTE REPRESENTATIONS OR WARRANTIES. THESE SPECIFICATIONS ARE SUBJECT TO BUYER'S INDEPENDENT VERIFICATION UPON INSPECTION.  
THE AIRCRAFT IS SUBJECT TO PRIOR SALE, LEASE AND/OR REMOVAL FROM THE MARKET WITHOUT PRIOR NOTICE. JULY 19, 2023 4:13 PM

**AVPROJETS.COM**  
info@avprojets.com

900 Bestgate Road Suite 412 Annapolis, MD 21401  
+1.410.573.1515

**Eddie Kilkeary III**  
ekilkeary@avprojets.com

2016 Challenger 350 SN 20613 N680GM

---



SPECIFICATIONS ARE PROVIDED FOR INFORMATIONAL PURPOSES ONLY AND DO NOT CONSTITUTE REPRESENTATIONS OR WARRANTIES. THESE SPECIFICATIONS ARE SUBJECT TO BUYER'S INDEPENDENT VERIFICATION UPON INSPECTION.  
THE AIRCRAFT IS SUBJECT TO PRIOR SALE, LEASE AND/OR REMOVAL FROM THE MARKET WITHOUT PRIOR NOTICE. JULY 19, 2023 4:13 PM

**AVPROJETS.COM**  
info@avprojets.com

900 Bestgate Road Suite 412 Annapolis, MD 21401  
+1.410.573.1515

**Eddie Kilkeary III**  
ekilkeary@avprojets.com



2016 Challenger 350 SN 20613 N680GM

---



SPECIFICATIONS ARE PROVIDED FOR INFORMATIONAL PURPOSES ONLY AND DO NOT CONSTITUTE REPRESENTATIONS OR WARRANTIES. THESE SPECIFICATIONS ARE SUBJECT TO BUYER'S INDEPENDENT VERIFICATION UPON INSPECTION.  
THE AIRCRAFT IS SUBJECT TO PRIOR SALE, LEASE AND/OR REMOVAL FROM THE MARKET WITHOUT PRIOR NOTICE. JULY 19, 2023 4:13 PM

**AVPROJETS.COM**  
info@avprojets.com

900 Bestgate Road Suite 412 Annapolis, MD 21401  
+1.410.573.1515

**Eddie Kilkeary III**  
ekilkeary@avprojets.com

2016 Challenger 350 SN 20613 N680GM

---



SPECIFICATIONS ARE PROVIDED FOR INFORMATIONAL PURPOSES ONLY AND DO NOT CONSTITUTE REPRESENTATIONS OR WARRANTIES. THESE SPECIFICATIONS ARE SUBJECT TO BUYER'S INDEPENDENT VERIFICATION UPON INSPECTION.  
THE AIRCRAFT IS SUBJECT TO PRIOR SALE, LEASE AND/OR REMOVAL FROM THE MARKET WITHOUT PRIOR NOTICE. JULY 19, 2023 4:13 PM

**AVPROJETS.COM**  
info@avprojets.com

900 Bestgate Road Suite 412 Annapolis, MD 21401  
+1.410.573.1515

**Eddie Kilkeary III**  
ekilkeary@avprojets.com



2016 Challenger 350 SN 20613 N680GM



SPECIFICATIONS ARE PROVIDED FOR INFORMATIONAL PURPOSES ONLY AND DO NOT CONSTITUTE REPRESENTATIONS OR WARRANTIES. THESE SPECIFICATIONS ARE SUBJECT TO BUYER'S INDEPENDENT VERIFICATION UPON INSPECTION.  
THE AIRCRAFT IS SUBJECT TO PRIOR SALE, LEASE AND/OR REMOVAL FROM THE MARKET WITHOUT PRIOR NOTICE. JULY 19, 2023 4:13 PM

**AVPROJETS.COM**  
info@avprojets.com

900 Bestgate Road Suite 412 Annapolis, MD 21401  
+1.410.573.1515

**Eddie Kilkeary III**  
ekilkeary@avprojets.com

2016 Challenger 350 SN 20613 N680GM

---



SPECIFICATIONS ARE PROVIDED FOR INFORMATIONAL PURPOSES ONLY AND DO NOT CONSTITUTE REPRESENTATIONS OR WARRANTIES. THESE SPECIFICATIONS ARE SUBJECT TO BUYER'S INDEPENDENT VERIFICATION UPON INSPECTION.  
THE AIRCRAFT IS SUBJECT TO PRIOR SALE, LEASE AND/OR REMOVAL FROM THE MARKET WITHOUT PRIOR NOTICE. JULY 19, 2023 4:13 PM

**AVPROJETS.COM**  
info@avprojets.com

900 Bestgate Road Suite 412 Annapolis, MD 21401  
+1.410.573.1515

**Eddie Kilkeary III**  
ekilkeary@avprojets.com



2016 Challenger 350 SN 20613 N680GM



SPECIFICATIONS ARE PROVIDED FOR INFORMATIONAL PURPOSES ONLY AND DO NOT CONSTITUTE REPRESENTATIONS OR WARRANTIES. THESE SPECIFICATIONS ARE SUBJECT TO BUYER'S INDEPENDENT VERIFICATION UPON INSPECTION.  
THE AIRCRAFT IS SUBJECT TO PRIOR SALE, LEASE AND/OR REMOVAL FROM THE MARKET WITHOUT PRIOR NOTICE. JULY 19, 2023 4:13 PM

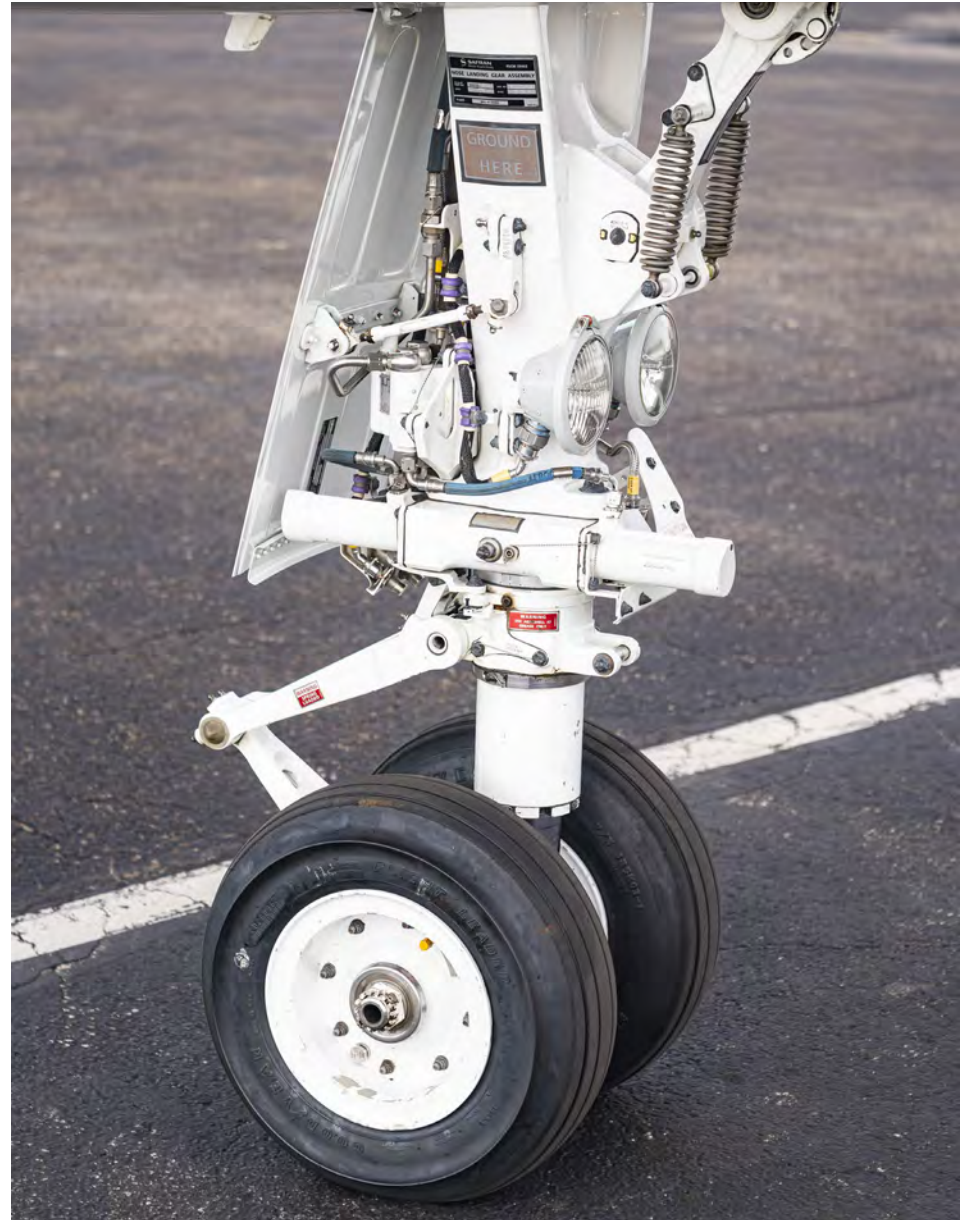
**AVPROJETS.COM**  
info@avprojets.com

900 Bestgate Road Suite 412 Annapolis, MD 21401  
+1.410.573.1515

**Eddie Kilkeary III**  
ekilkeary@avprojets.com



2016 Challenger 350 SN 20613 N680GM



SPECIFICATIONS ARE PROVIDED FOR INFORMATIONAL PURPOSES ONLY AND DO NOT CONSTITUTE REPRESENTATIONS OR WARRANTIES. THESE SPECIFICATIONS ARE SUBJECT TO BUYER'S INDEPENDENT VERIFICATION UPON INSPECTION.  
THE AIRCRAFT IS SUBJECT TO PRIOR SALE, LEASE AND/OR REMOVAL FROM THE MARKET WITHOUT PRIOR NOTICE. JULY 19, 2023 4:13 PM



2016 Challenger 350 SN 20613 N680GM



SPECIFICATIONS ARE PROVIDED FOR INFORMATIONAL PURPOSES ONLY AND DO NOT CONSTITUTE REPRESENTATIONS OR WARRANTIES. THESE SPECIFICATIONS ARE SUBJECT TO BUYER'S INDEPENDENT VERIFICATION UPON INSPECTION.  
THE AIRCRAFT IS SUBJECT TO PRIOR SALE, LEASE AND/OR REMOVAL FROM THE MARKET WITHOUT PRIOR NOTICE. JULY 19, 2023 4:13 PM

**AVPROJETS.COM**  
info@avprojets.com

900 Bestgate Road Suite 412 Annapolis, MD 21401  
+1.410.573.1515

**Eddie Kilkeary III**  
ekilkeary@avprojets.com



2016 Challenger 350 SN 20613 N680GM



SPECIFICATIONS ARE PROVIDED FOR INFORMATIONAL PURPOSES ONLY AND DO NOT CONSTITUTE REPRESENTATIONS OR WARRANTIES. THESE SPECIFICATIONS ARE SUBJECT TO BUYER'S INDEPENDENT VERIFICATION UPON INSPECTION.  
THE AIRCRAFT IS SUBJECT TO PRIOR SALE, LEASE AND/OR REMOVAL FROM THE MARKET WITHOUT PRIOR NOTICE. JULY 19, 2023 4:13 PM

**AVPROJETS.COM**  
info@avprojets.com

900 Bestgate Road Suite 412 Annapolis, MD 21401  
+1.410.573.1515

**Eddie Kilkeary III**  
ekilkeary@avprojets.com



# 2016 Challenger 350 SN 20613 N680GM



SPECIFICATIONS ARE PROVIDED FOR INFORMATIONAL PURPOSES ONLY AND DO NOT CONSTITUTE REPRESENTATIONS OR WARRANTIES. THESE SPECIFICATIONS ARE SUBJECT TO BUYER'S INDEPENDENT VERIFICATION UPON INSPECTION.  
THE AIRCRAFT IS SUBJECT TO PRIOR SALE, LEASE AND/OR REMOVAL FROM THE MARKET WITHOUT PRIOR NOTICE. JULY 19, 2023 4:13 PM

**AVPROJETS.COM**  
info@avprojets.com

900 Bestgate Road Suite 412 Annapolis, MD 21401  
+1.410.573.1515

**Eddie Kilkeary III**  
ekilkeary@avprojets.com



2016 Challenger 350 SN 20613 N680GM



SPECIFICATIONS ARE PROVIDED FOR INFORMATIONAL PURPOSES ONLY AND DO NOT CONSTITUTE REPRESENTATIONS OR WARRANTIES. THESE SPECIFICATIONS ARE SUBJECT TO BUYER'S INDEPENDENT VERIFICATION UPON INSPECTION.  
THE AIRCRAFT IS SUBJECT TO PRIOR SALE, LEASE AND/OR REMOVAL FROM THE MARKET WITHOUT PRIOR NOTICE. JULY 19, 2023 4:13 PM

**AVPROJETS.COM**  
info@avprojets.com

900 Bestgate Road Suite 412 Annapolis, MD 21401  
+1.410.573.1515

**Eddie Kilkeary III**  
ekilkeary@avprojets.com



2016 Challenger 350 SN 20613 N680GM



SPECIFICATIONS ARE PROVIDED FOR INFORMATIONAL PURPOSES ONLY AND DO NOT CONSTITUTE REPRESENTATIONS OR WARRANTIES. THESE SPECIFICATIONS ARE SUBJECT TO BUYER'S INDEPENDENT VERIFICATION UPON INSPECTION.  
THE AIRCRAFT IS SUBJECT TO PRIOR SALE, LEASE AND/OR REMOVAL FROM THE MARKET WITHOUT PRIOR NOTICE. JULY 19, 2023 4:13 PM

**AVPROJETS.COM**  
info@avprojets.com

900 Bestgate Road Suite 412 Annapolis, MD 21401  
+1.410.573.1515

**Eddie Kilkeary III**  
ekilkeary@avprojets.com



2016 Challenger 350 SN 20613 N680GM



SPECIFICATIONS ARE PROVIDED FOR INFORMATIONAL PURPOSES ONLY AND DO NOT CONSTITUTE REPRESENTATIONS OR WARRANTIES. THESE SPECIFICATIONS ARE SUBJECT TO BUYER'S INDEPENDENT VERIFICATION UPON INSPECTION.  
THE AIRCRAFT IS SUBJECT TO PRIOR SALE, LEASE AND/OR REMOVAL FROM THE MARKET WITHOUT PRIOR NOTICE. JULY 19, 2023 4:13 PM

**AVPROJETS.COM**  
info@avprojets.com

900 Bestgate Road Suite 412 Annapolis, MD 21401  
+1.410.573.1515

**Eddie Kilkeary III**  
ekilkeary@avprojets.com



2016 Challenger 350 SN 20613 N680GM



SPECIFICATIONS ARE PROVIDED FOR INFORMATIONAL PURPOSES ONLY AND DO NOT CONSTITUTE REPRESENTATIONS OR WARRANTIES. THESE SPECIFICATIONS ARE SUBJECT TO BUYER'S INDEPENDENT VERIFICATION UPON INSPECTION.  
THE AIRCRAFT IS SUBJECT TO PRIOR SALE, LEASE AND/OR REMOVAL FROM THE MARKET WITHOUT PRIOR NOTICE. JULY 19, 2023 4:13 PM

**AVPROJETS.COM**  
info@avprojets.com

900 Bestgate Road Suite 412 Annapolis, MD 21401  
+1.410.573.1515

**Eddie Kilkeary III**  
ekilkeary@avprojets.com





2016 Challenger 350 SN 20613 N680GM



SPECIFICATIONS ARE PROVIDED FOR INFORMATIONAL PURPOSES ONLY AND DO NOT CONSTITUTE REPRESENTATIONS OR WARRANTIES. THESE SPECIFICATIONS ARE SUBJECT TO BUYER'S INDEPENDENT VERIFICATION UPON INSPECTION.  
THE AIRCRAFT IS SUBJECT TO PRIOR SALE, LEASE AND/OR REMOVAL FROM THE MARKET WITHOUT PRIOR NOTICE. JULY 19, 2023 4:13 PM

**AVPROJETS.COM**  
info@avprojets.com

900 Bestgate Road Suite 412 Annapolis, MD 21401  
+1.410.573.1515

**Eddie Kilkeary III**  
ekilkeary@avprojets.com





SPECIFICATIONS ARE PROVIDED FOR INFORMATIONAL PURPOSES ONLY AND DO NOT CONSTITUTE REPRESENTATIONS OR WARRANTIES. THESE SPECIFICATIONS ARE SUBJECT TO BUYER'S INDEPENDENT VERIFICATION UPON INSPECTION.  
THE AIRCRAFT IS SUBJECT TO PRIOR SALE, LEASE AND/OR REMOVAL FROM THE MARKET WITHOUT PRIOR NOTICE. JULY 19, 2023 4:13 PM

2016 Challenger 350 SN 20613 N680GM



SPECIFICATIONS ARE PROVIDED FOR INFORMATIONAL PURPOSES ONLY AND DO NOT CONSTITUTE REPRESENTATIONS OR WARRANTIES. THESE SPECIFICATIONS ARE SUBJECT TO BUYER'S INDEPENDENT VERIFICATION UPON INSPECTION.  
THE AIRCRAFT IS SUBJECT TO PRIOR SALE, LEASE AND/OR REMOVAL FROM THE MARKET WITHOUT PRIOR NOTICE. JULY 19, 2023 4:13 PM

**AVPROJETS.COM**  
info@avprojets.com

900 Bestgate Road Suite 412 Annapolis, MD 21401  
+1.410.573.1515

**Eddie Kilkeary III**  
ekilkeary@avprojets.com



2016 Challenger 350 SN 20613 N680GM



SPECIFICATIONS ARE PROVIDED FOR INFORMATIONAL PURPOSES ONLY AND DO NOT CONSTITUTE REPRESENTATIONS OR WARRANTIES. THESE SPECIFICATIONS ARE SUBJECT TO BUYER'S INDEPENDENT VERIFICATION UPON INSPECTION.  
THE AIRCRAFT IS SUBJECT TO PRIOR SALE, LEASE AND/OR REMOVAL FROM THE MARKET WITHOUT PRIOR NOTICE. JULY 19, 2023 4:13 PM

**AVPROJETS.COM**  
info@avprojets.com

900 Bestgate Road Suite 412 Annapolis, MD 21401  
+1.410.573.1515

**Eddie Kilkeary III**  
ekilkeary@avprojets.com



2016 Challenger 350 SN 20613 N680GM



SPECIFICATIONS ARE PROVIDED FOR INFORMATIONAL PURPOSES ONLY AND DO NOT CONSTITUTE REPRESENTATIONS OR WARRANTIES. THESE SPECIFICATIONS ARE SUBJECT TO BUYER'S INDEPENDENT VERIFICATION UPON INSPECTION.  
THE AIRCRAFT IS SUBJECT TO PRIOR SALE, LEASE AND/OR REMOVAL FROM THE MARKET WITHOUT PRIOR NOTICE. JULY 19, 2023 4:13 PM



2016 Challenger 350 SN 20613 N680GM



SPECIFICATIONS ARE PROVIDED FOR INFORMATIONAL PURPOSES ONLY AND DO NOT CONSTITUTE REPRESENTATIONS OR WARRANTIES. THESE SPECIFICATIONS ARE SUBJECT TO BUYER'S INDEPENDENT VERIFICATION UPON INSPECTION.  
THE AIRCRAFT IS SUBJECT TO PRIOR SALE, LEASE AND/OR REMOVAL FROM THE MARKET WITHOUT PRIOR NOTICE. JULY 19, 2023 4:13 PM



**AVPRO** INC.

CELEBRATING OVER **30** YEARS OF EXCELLENCE

We perform for our clients, averaging two transactions a week.

We match aircraft to your specifications in a professional and timely manner, allowing you to concentrate on your business, leaving the important details of marketing, market research, negotiating and contracting to us.

Avpro offers aircraft financing advisory services. We have the expertise to navigate the appropriate structure, costs and terms to help you meet your objectives. We are ready to provide advice, analysis and sourcing of the lender best suited to meet your requirements.

---

SERVING CUSTOMERS  
AROUND THE GLOBE

---

**Talk to Us**      [info@avprojets.com](mailto:info@avprojets.com)      +1.410.573.1515

**Connect with Us**    LINKEDIN    FACEBOOK    TWITTER    INSTAGRAM

