

1988 Gulfstream <sup>SN</sup> 1074

# GIV



CLICK TO VIEW  
VIRTUAL TOUR



CLICK TO VIEW  
VIDEO



**AVPRO** INC.  
www.avprojets.com

EXECUTIVE SALES DIRECTOR

**Anderson Bell**  
abell@avprojets.com  
+1.410.573.1515

# 1988 Gulfstream IV SN 1074 N995GG

*Preliminary Specification - Information Subject to Verification*

## Aircraft Listing Details:

Total Hours: 12,299  
Total Landings: 4,839

## Engines: Rolls Royce TAY 611-8 (GIV)

	#1	#2
Total Hours:	11,775	11,580
Engine Cycles:	4,616	4,504
Overhaul Due:	6/2026	6/2026
Serial Numbers:	16260	16257

## APU: Honeywell GTCP36-100 (GIV) **New 2021**

Total Hours: 2,483  
Serial Number: P-766

## Aircraft Highlights:

- Excellent Ownership Pedigree - Same US Owner Since 2007
- DPI Labs Smartlink Cabin Management System
- Fresh 24 Month Inspection by Empire Aviation, PBI
- New Paint by Straube Aviation, June 2021
- New APU 2021
- New RH Windshield
- ASC-190 Gross Weight Increase
- AirCell ATG-4000 Go-Go Biz Inflight Internet
- 5,000 Landing Structural Inspections c/w (not including TR's)
- Enrolled on MSP Avionics (Formerly HAPP)
- Enrolled on MSP Mechanical (Formerly MPP)
- Part 135 Capable

## Avionics:

- Honeywell SPZ-8000 Six Tube EFIS / Pro Line 4
- Honeywell SPZ-8000 Flight Director / AutoPilot
- Dual Honeywell NZ-2000 Flight Guidance Computer
- Dual Collins VHF-422C Comms w/8.33 Spacing
- Single VHF-422B Comm
- Triple Collins VIR-432 NAV Receivers
- Dual Collins ADF-462 ADFs
- Dual Collins DME-442 DMEs
- Dual Honeywell CD-810 CDUs
- Dual Honeywell DA-884 Data Acquisition Units
- Honeywell DL-950 Data Loader
- Dual Bendix King Transponders
- Dual Honeywell FMS NZ-2000 Version 5.2
- Honeywell GPS Sensors
- Triple Honeywell LASEREF II IRUs
- Honeywell Primus 870 Color Weather Radar
- Dual Honeywell RT-300 Radio Altimeter System
- Sperry LP-850 Lightning Receiver/Processor
- Allied Signal EGPWS (TSO-C92c)
- ACSS TCAS II w/Change 7.0
- Dual Collins HF Receivers
- Motorola SELCAL Decoder
- Fairchild CVR Cockpit Voice Recorder
- Fairchild F1000 FDR Flight Data Recorder
- L3 MicroQAR200
- Artex C406 ELT
- Honeywell AFIS

SPECIFICATIONS ARE PROVIDED FOR INFORMATIONAL PURPOSES ONLY AND DO NOT CONSTITUTE REPRESENTATIONS OR WARRANTIES. THESE SPECIFICATIONS ARE SUBJECT TO BUYER'S INDEPENDENT VERIFICATION UPON INSPECTION.  
THE AIRCRAFT IS SUBJECT TO PRIOR SALE, LEASE AND/OR REMOVAL FROM THE MARKET WITHOUT PRIOR NOTICE. JUNE 10, 2024 11:20 AM

# 1988 Gulfstream IV SN 1074 N995GG

*Preliminary Specification - Information Subject to Verification*

## Connectivity:

- AirCell ATG-4000 Go-Go Biz Inflight Internet

## Entertainment:

- DPI Labs Smartlink Cabin Management System
- Airshow 410 w/Global Map Display
- Three (3) Zone Audio/Visual
- Dual Blu-Ray Players
- Dual Apple Device Docking Stations
- Forward & Aft Bulkhead Mounted Monitors
- Four (4) Individual HD Monitors

## Maintenance Programs:

- Enrolled on MSP Avionics (Formerly HAPP)
- Enrolled on MSP Mechanical (Formerly MPP)
- Enrolled on GCMP

## Inspection Status:

- Fresh 24 Month Inspection by Empire Aviation, PBI
- 5,000 Landing Structural Inspections c/w (not including TR's)
- Thrust Reverser Overhauls Due at 5,000 Cycles

## Navigation Compliance:

- RVSM, MNPS, B-RNAV, RNP5, RNP10
- Part 135 Capable

## Features/Options:

- ASC-190 Gross Weight Increase
- New RH Windshield
- Dual PZ-800 Performance Auto Throttles
- Three Zone Enhanced LED Lighting (New 2012)

**Interior:** *Refurbished by Plane Perfect, December 2012*

Thirteen (13) Passenger Forward Galley Configuration.

## Forward Cabin:

Four (4) Place Divan Opposite a Two (2) Place Club

## Mid Cabin:

Four (4) Place Club

## Aft Cabin:

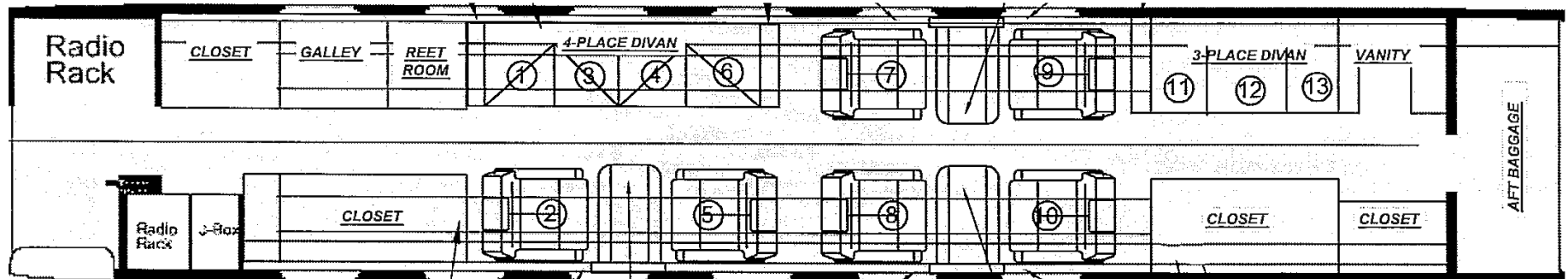
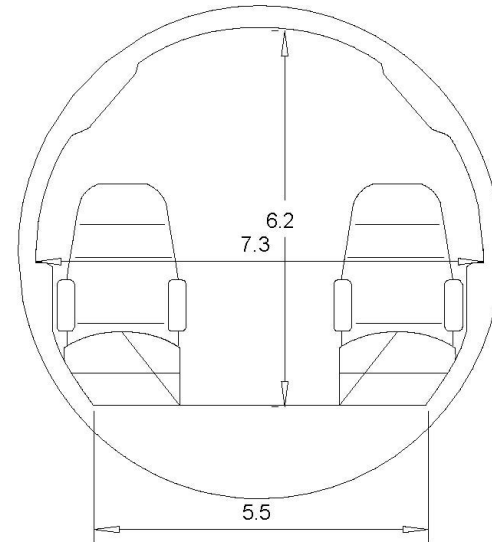
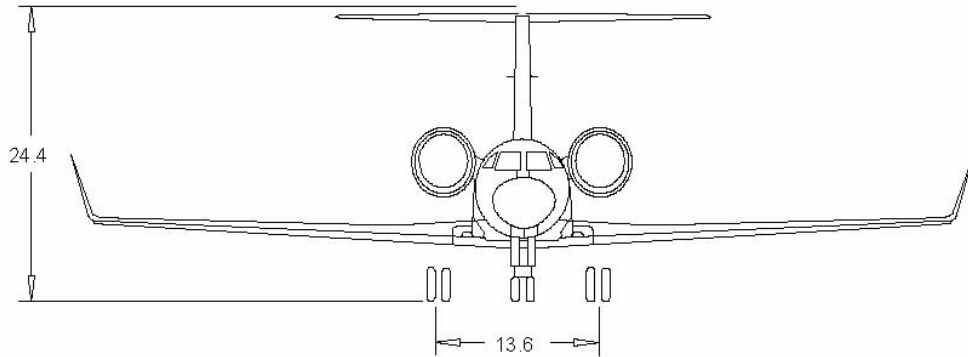
Three (3) Place Divan Opposite an Entertainment Cabinet

**Exterior:** *New Paint by Straube Aviation, June 2021*

Overall White w/Black & Silver Accent Striping.

SPECIFICATIONS ARE PROVIDED FOR INFORMATIONAL PURPOSES ONLY AND DO NOT CONSTITUTE REPRESENTATIONS OR WARRANTIES. THESE SPECIFICATIONS ARE SUBJECT TO BUYER'S INDEPENDENT VERIFICATION UPON INSPECTION.  
THE AIRCRAFT IS SUBJECT TO PRIOR SALE, LEASE AND/OR REMOVAL FROM THE MARKET WITHOUT PRIOR NOTICE. JUNE 10, 2024 11:20 AM

1988 Gulfstream IV SN 1074 N995GG



SPECIFICATIONS ARE PROVIDED FOR INFORMATIONAL PURPOSES ONLY AND DO NOT CONSTITUTE REPRESENTATIONS OR WARRANTIES. THESE SPECIFICATIONS ARE SUBJECT TO BUYER'S INDEPENDENT VERIFICATION UPON INSPECTION. THE AIRCRAFT IS SUBJECT TO PRIOR SALE, LEASE AND/OR REMOVAL FROM THE MARKET WITHOUT PRIOR NOTICE. MARCH 12, 2024 10:33 AM

1988 Gulfstream IV SN 1074 N995GG

---



SPECIFICATIONS ARE PROVIDED FOR INFORMATIONAL PURPOSES ONLY AND DO NOT CONSTITUTE REPRESENTATIONS OR WARRANTIES. THESE SPECIFICATIONS ARE SUBJECT TO BUYER'S INDEPENDENT VERIFICATION UPON INSPECTION.  
THE AIRCRAFT IS SUBJECT TO PRIOR SALE, LEASE AND/OR REMOVAL FROM THE MARKET WITHOUT PRIOR NOTICE. AUGUST 24, 2023 2:16 PM

**AVPROJETS.COM**  
info@avprojets.com

900 Bestgate Road Suite 412 Annapolis, MD 21401  
+1.410.573.1515

**Anderson Bell**  
abell@avprojets.com

1988 Gulfstream IV SN 1074 N995GG

---



SPECIFICATIONS ARE PROVIDED FOR INFORMATIONAL PURPOSES ONLY AND DO NOT CONSTITUTE REPRESENTATIONS OR WARRANTIES. THESE SPECIFICATIONS ARE SUBJECT TO BUYER'S INDEPENDENT VERIFICATION UPON INSPECTION.  
THE AIRCRAFT IS SUBJECT TO PRIOR SALE, LEASE AND/OR REMOVAL FROM THE MARKET WITHOUT PRIOR NOTICE. AUGUST 24, 2023 2:16 PM

**AVPROJETS.COM**  
info@avprojets.com

900 Bestgate Road Suite 412 Annapolis, MD 21401  
+1.410.573.1515

**Anderson Bell**  
abell@avprojets.com

1988 Gulfstream IV SN 1074 N995GG

---



SPECIFICATIONS ARE PROVIDED FOR INFORMATIONAL PURPOSES ONLY AND DO NOT CONSTITUTE REPRESENTATIONS OR WARRANTIES. THESE SPECIFICATIONS ARE SUBJECT TO BUYER'S INDEPENDENT VERIFICATION UPON INSPECTION.  
THE AIRCRAFT IS SUBJECT TO PRIOR SALE, LEASE AND/OR REMOVAL FROM THE MARKET WITHOUT PRIOR NOTICE. AUGUST 24, 2023 2:16 PM

**AVPROJETS.COM**  
info@avprojets.com

900 Bestgate Road Suite 412 Annapolis, MD 21401  
+1.410.573.1515

**Anderson Bell**  
abell@avprojets.com

1988 Gulfstream IV SN 1074 N995GG

---



SPECIFICATIONS ARE PROVIDED FOR INFORMATIONAL PURPOSES ONLY AND DO NOT CONSTITUTE REPRESENTATIONS OR WARRANTIES. THESE SPECIFICATIONS ARE SUBJECT TO BUYER'S INDEPENDENT VERIFICATION UPON INSPECTION.  
THE AIRCRAFT IS SUBJECT TO PRIOR SALE, LEASE AND/OR REMOVAL FROM THE MARKET WITHOUT PRIOR NOTICE. AUGUST 24, 2023 2:16 PM

**AVPROJETS.COM**  
info@avprojets.com

900 Bestgate Road Suite 412 Annapolis, MD 21401  
+1.410.573.1515

**Anderson Bell**  
abell@avprojets.com



1988 Gulfstream IV SN 1074 N995GG

---



SPECIFICATIONS ARE PROVIDED FOR INFORMATIONAL PURPOSES ONLY AND DO NOT CONSTITUTE REPRESENTATIONS OR WARRANTIES. THESE SPECIFICATIONS ARE SUBJECT TO BUYER'S INDEPENDENT VERIFICATION UPON INSPECTION.  
THE AIRCRAFT IS SUBJECT TO PRIOR SALE, LEASE AND/OR REMOVAL FROM THE MARKET WITHOUT PRIOR NOTICE. AUGUST 24, 2023 2:16 PM

**AVPROJETS.COM**  
info@avprojets.com

900 Bestgate Road Suite 412 Annapolis, MD 21401  
+1.410.573.1515

**Anderson Bell**  
abell@avprojets.com

1988 Gulfstream IV SN 1074 N995GG



SPECIFICATIONS ARE PROVIDED FOR INFORMATIONAL PURPOSES ONLY AND DO NOT CONSTITUTE REPRESENTATIONS OR WARRANTIES. THESE SPECIFICATIONS ARE SUBJECT TO BUYER'S INDEPENDENT VERIFICATION UPON INSPECTION.  
THE AIRCRAFT IS SUBJECT TO PRIOR SALE, LEASE AND/OR REMOVAL FROM THE MARKET WITHOUT PRIOR NOTICE. AUGUST 24, 2023 2:16 PM

**AVPROJETS.COM**  
info@avprojets.com

900 Bestgate Road Suite 412 Annapolis, MD 21401  
+1.410.573.1515

**Anderson Bell**  
abell@avprojets.com

1988 Gulfstream IV SN 1074 N995GG



SPECIFICATIONS ARE PROVIDED FOR INFORMATIONAL PURPOSES ONLY AND DO NOT CONSTITUTE REPRESENTATIONS OR WARRANTIES. THESE SPECIFICATIONS ARE SUBJECT TO BUYER'S INDEPENDENT VERIFICATION UPON INSPECTION.  
THE AIRCRAFT IS SUBJECT TO PRIOR SALE, LEASE AND/OR REMOVAL FROM THE MARKET WITHOUT PRIOR NOTICE. AUGUST 24, 2023 2:16 PM

**AVPROJETS.COM**  
info@avprojets.com

900 Bestgate Road Suite 412 Annapolis, MD 21401  
+1.410.573.1515

**Anderson Bell**  
abell@avprojets.com

1988 Gulfstream IV SN 1074 N995GG



SPECIFICATIONS ARE PROVIDED FOR INFORMATIONAL PURPOSES ONLY AND DO NOT CONSTITUTE REPRESENTATIONS OR WARRANTIES. THESE SPECIFICATIONS ARE SUBJECT TO BUYER'S INDEPENDENT VERIFICATION UPON INSPECTION.  
THE AIRCRAFT IS SUBJECT TO PRIOR SALE, LEASE AND/OR REMOVAL FROM THE MARKET WITHOUT PRIOR NOTICE. AUGUST 24, 2023 2:16 PM

**AVPROJETS.COM**  
info@avprojets.com

900 Bestgate Road Suite 412 Annapolis, MD 21401  
+1.410.573.1515

**Anderson Bell**  
abell@avprojets.com

1988 Gulfstream IV SN 1074 N995GG



SPECIFICATIONS ARE PROVIDED FOR INFORMATIONAL PURPOSES ONLY AND DO NOT CONSTITUTE REPRESENTATIONS OR WARRANTIES. THESE SPECIFICATIONS ARE SUBJECT TO BUYER'S INDEPENDENT VERIFICATION UPON INSPECTION.  
THE AIRCRAFT IS SUBJECT TO PRIOR SALE, LEASE AND/OR REMOVAL FROM THE MARKET WITHOUT PRIOR NOTICE. AUGUST 24, 2023 2:16 PM

**AVPROJETS.COM**  
info@avprojets.com

900 Bestgate Road Suite 412 Annapolis, MD 21401  
+1.410.573.1515

**Anderson Bell**  
abell@avprojets.com

1988 Gulfstream IV SN 1074 N995GG



SPECIFICATIONS ARE PROVIDED FOR INFORMATIONAL PURPOSES ONLY AND DO NOT CONSTITUTE REPRESENTATIONS OR WARRANTIES. THESE SPECIFICATIONS ARE SUBJECT TO BUYER'S INDEPENDENT VERIFICATION UPON INSPECTION.  
THE AIRCRAFT IS SUBJECT TO PRIOR SALE, LEASE AND/OR REMOVAL FROM THE MARKET WITHOUT PRIOR NOTICE. AUGUST 24, 2023 2:16 PM

**AVPROJETS.COM**  
info@avprojets.com

900 Bestgate Road Suite 412 Annapolis, MD 21401  
+1.410.573.1515

**Anderson Bell**  
abell@avprojets.com

1988 Gulfstream IV SN 1074 N995GG



SPECIFICATIONS ARE PROVIDED FOR INFORMATIONAL PURPOSES ONLY AND DO NOT CONSTITUTE REPRESENTATIONS OR WARRANTIES. THESE SPECIFICATIONS ARE SUBJECT TO BUYER'S INDEPENDENT VERIFICATION UPON INSPECTION.  
THE AIRCRAFT IS SUBJECT TO PRIOR SALE, LEASE AND/OR REMOVAL FROM THE MARKET WITHOUT PRIOR NOTICE. AUGUST 24, 2023 2:16 PM

**AVPROJETS.COM**  
info@avprojets.com

900 Bestgate Road Suite 412 Annapolis, MD 21401  
+1.410.573.1515

**Anderson Bell**  
abell@avprojets.com

1988 Gulfstream IV SN 1074 N995GG



SPECIFICATIONS ARE PROVIDED FOR INFORMATIONAL PURPOSES ONLY AND DO NOT CONSTITUTE REPRESENTATIONS OR WARRANTIES. THESE SPECIFICATIONS ARE SUBJECT TO BUYER'S INDEPENDENT VERIFICATION UPON INSPECTION.  
THE AIRCRAFT IS SUBJECT TO PRIOR SALE, LEASE AND/OR REMOVAL FROM THE MARKET WITHOUT PRIOR NOTICE. AUGUST 24, 2023 2:16 PM

**AVPROJETS.COM**  
info@avprojets.com

900 Bestgate Road Suite 412 Annapolis, MD 21401  
+1.410.573.1515

**Anderson Bell**  
abell@avprojets.com



1988 Gulfstream IV SN 1074 N995GG



SPECIFICATIONS ARE PROVIDED FOR INFORMATIONAL PURPOSES ONLY AND DO NOT CONSTITUTE REPRESENTATIONS OR WARRANTIES. THESE SPECIFICATIONS ARE SUBJECT TO BUYER'S INDEPENDENT VERIFICATION UPON INSPECTION.  
THE AIRCRAFT IS SUBJECT TO PRIOR SALE, LEASE AND/OR REMOVAL FROM THE MARKET WITHOUT PRIOR NOTICE. AUGUST 24, 2023 2:16 PM

**AVPROJETS.COM**  
info@avprojets.com

900 Bestgate Road Suite 412 Annapolis, MD 21401  
+1.410.573.1515

**Anderson Bell**  
abell@avprojets.com

1988 Gulfstream IV SN 1074 N995GG



SPECIFICATIONS ARE PROVIDED FOR INFORMATIONAL PURPOSES ONLY AND DO NOT CONSTITUTE REPRESENTATIONS OR WARRANTIES. THESE SPECIFICATIONS ARE SUBJECT TO BUYER'S INDEPENDENT VERIFICATION UPON INSPECTION.  
THE AIRCRAFT IS SUBJECT TO PRIOR SALE, LEASE AND/OR REMOVAL FROM THE MARKET WITHOUT PRIOR NOTICE. AUGUST 24, 2023 2:16 PM

**AVPROJETS.COM**  
info@avprojets.com

900 Bestgate Road Suite 412 Annapolis, MD 21401  
+1.410.573.1515

**Anderson Bell**  
abell@avprojets.com

1988 Gulfstream IV SN 1074 N995GG



SPECIFICATIONS ARE PROVIDED FOR INFORMATIONAL PURPOSES ONLY AND DO NOT CONSTITUTE REPRESENTATIONS OR WARRANTIES. THESE SPECIFICATIONS ARE SUBJECT TO BUYER'S INDEPENDENT VERIFICATION UPON INSPECTION.  
THE AIRCRAFT IS SUBJECT TO PRIOR SALE, LEASE AND/OR REMOVAL FROM THE MARKET WITHOUT PRIOR NOTICE. AUGUST 24, 2023 2:16 PM

**AVPROJETS.COM**  
info@avprojets.com

900 Bestgate Road Suite 412 Annapolis, MD 21401  
+1.410.573.1515

**Anderson Bell**  
abell@avprojets.com

1988 Gulfstream IV SN 1074 N995GG



SPECIFICATIONS ARE PROVIDED FOR INFORMATIONAL PURPOSES ONLY AND DO NOT CONSTITUTE REPRESENTATIONS OR WARRANTIES. THESE SPECIFICATIONS ARE SUBJECT TO BUYER'S INDEPENDENT VERIFICATION UPON INSPECTION.  
THE AIRCRAFT IS SUBJECT TO PRIOR SALE, LEASE AND/OR REMOVAL FROM THE MARKET WITHOUT PRIOR NOTICE. AUGUST 24, 2023 2:16 PM

1988 Gulfstream IV SN 1074 N995GG



SPECIFICATIONS ARE PROVIDED FOR INFORMATIONAL PURPOSES ONLY AND DO NOT CONSTITUTE REPRESENTATIONS OR WARRANTIES. THESE SPECIFICATIONS ARE SUBJECT TO BUYER'S INDEPENDENT VERIFICATION UPON INSPECTION.  
THE AIRCRAFT IS SUBJECT TO PRIOR SALE, LEASE AND/OR REMOVAL FROM THE MARKET WITHOUT PRIOR NOTICE. AUGUST 24, 2023 2:16 PM

**AVPROJETS.COM**  
info@avprojets.com

900 Bestgate Road Suite 412 Annapolis, MD 21401  
+1.410.573.1515

**Anderson Bell**  
abell@avprojets.com



**AVPRO** INC.

CELEBRATING OVER **30** YEARS OF EXCELLENCE

We perform for our clients, averaging two transactions a week.

We match aircraft to your specifications in a professional and timely manner, allowing you to concentrate on your business, leaving the important details of marketing, market research, negotiating and contracting to us.

Avpro offers aircraft financing advisory services. We have the expertise to navigate the appropriate structure, costs and terms to help you meet your objectives. We are ready to provide advice, analysis and sourcing of the lender best suited to meet your requirements.

---

SERVING CUSTOMERS  
AROUND THE GLOBE

---

**Talk to Us**

**info@avprojets.com**

**+1.410.573.1515**

**Connect with Us**

