

2019 Gulfstream <sup>SN</sup> 72023

# G500



*File Photo*

**AVPRO** INC.  
www.avprojets.com

EXECUTIVE SALES DIRECTOR

**Mike Caruso**  
mcaruso@avprojets.com  
+1.410.573.1515

# 2019 Gulfstream G500 SN 72023 N405PC

---

## Aircraft Listing Details:

Total Hours: 1012  
Total Landings: 435

---

## Engines: Pratt & Whitney PW814GA

	#1	#2
Total Hours:	1012	1012
Engine Cycles:	435	435
Serial Numbers:	PCE-GA0098	PCE-GA0099

---

## APU: Honeywell HGT 4000

Total Hours: 883  
Serial Number: P-132

---

## Aircraft Highlights:

- Very Low Hours & Cycles
- U.S. Registered Since New
- Gulfstream Symmetry Flight Deck Avionics
- Jet ConneX KA-Band Satcom / High Speed Internet
- Gulfstream Factory Maintained
- Recent Major Inspections by Gulfstream:
  - 12/24/60 Month Inspections – May 2024, SAV
  - 48 Month Inspection – May 2023, PBI
  - Premium ARCS Inspection – May 2023, PBI
  - APU Exhaust Inspection – February 2023, SAV
- 13 Passenger Interior in Excellent Condition
- Engines on ESP Pure Power Premium, APU on MSP Gold

## Symmetry Flight Deck™ Avionics:

- Four (4) Flat Panel LCD Displays (PFD & MFD)
- Three (3) Overhead Panel Touch Screens (OHPTS)
- Dual Stand-by Flight Displays (SFD)
- Flight Guidance Panel (FGP)
- Five (5) Multi-Function Touch Screen Controllers (TSC)
- Dual Automatic Flight Guidance Systems (AFGS)
- Head Up Display (HUD) Visual Guidance System
- Enhanced Flight Vision System (EVS-III)
- Combined VHF Communication Transceiver / Navigation Receiver (NAV/COM) Unit
- Dual VHF Navigation, Instrument Landing System (ILS) & Marker Beacon
- Automatic Direction Finder (ADF)
- Dual Distance Measuring Equipment (DME) Transceivers
- Dual High Frequency (HF) Communication Transceivers
- Four (4) Multi-Function Air Data Smart Probes
- Dual Attitude Heading Reference Units
- Dual Air Traffic Control (ATC) Mode S Transponders
- Triple Flight Management Systems (FMS)
- Dual Global Positioning System (GPS) w/WAAS
- Triple Micro Inertial Reference Units (IRS)
- Dual Auto-Throttles (AT)
- 3-D Color Weather Radar
- XM Weather System
- Dual Enhanced Ground Proximity Warning Systems (EGPWS)
- Predictive Windshear System (PWS)
- TCAS II Version 7.1
- Dual Very High Frequency (VHF) Communication Transceivers
- Dual Radio Altimeters
- Flight Data Recorder (FDR)
- Cockpit Voice Recorder (CVR)

SPECIFICATIONS ARE PROVIDED FOR INFORMATIONAL PURPOSES ONLY AND DO NOT CONSTITUTE REPRESENTATIONS OR WARRANTIES. THESE SPECIFICATIONS ARE SUBJECT TO BUYER'S INDEPENDENT VERIFICATION UPON INSPECTION.  
THE AIRCRAFT IS SUBJECT TO PRIOR SALE, LEASE AND/OR REMOVAL FROM THE MARKET WITHOUT PRIOR NOTICE. MAY 6, 2024 11:00 AM

# 2019 Gulfstream G500 SN 72023 N405PC

---

## Connectivity:

- Jet ConneX (KA-Band) High Speed Internet System
  - Honeywell Swift Broadband Data System  
w/Compression Service Capability
  - Gogo Business Axxess II Iridium Satellite Telephone System
  - Wireless Local Area Network (LAN)
  - Satcom Direct GlobalVT
  - Satellite Communications System (SATCOM)
  - Collins Datalink Service Provider
- 

## Entertainment:

- AIREX Inflight Entertainment System
- Audio/Video Distribution System (AVDS)
- 24" Widescreen HD LCD Monitor (Aft RH Bulkhead)
- 24" Widescreen HD LCD Monitor (Forward RH Bulkhead)
- 32" Widescreen HD LCD Monitor (Credenza)

## Maintenance Programs:

- Engines on ESP Pure Power Premium
  - APU on MSP Gold
- 

## Recent Inspections:

- 12/24/60 Month Inspections – May 2024, Gulfstream-SAV
  - 48 Month Inspection – May 2023, Gulfstream-PBI
  - Premium ARCS Inspection – May 2023, Gulfstream-PBI
  - APU Exhaust Inspection (GVII-G500 SRM 53-41-01) –  
February 2023, Gulfstream-SAV
- 

## Navigation Compliance:

- FANS 1/A+ (via ADS-C & CPDLC) ADS-B Out DO-260B
- GPS Wide Area Augmentation System (WAAS)
- TCAS II Version 7.1

SPECIFICATIONS ARE PROVIDED FOR INFORMATIONAL PURPOSES ONLY AND DO NOT CONSTITUTE REPRESENTATIONS OR WARRANTIES. THESE SPECIFICATIONS ARE SUBJECT TO BUYER'S INDEPENDENT VERIFICATION UPON INSPECTION.  
THE AIRCRAFT IS SUBJECT TO PRIOR SALE, LEASE AND/OR REMOVAL FROM THE MARKET WITHOUT PRIOR NOTICE. MAY 6, 2024 11:00 AM

# 2019 Gulfstream G500 SN 72023 N405PC

---

## Features/Options:

- Airworthiness Directive ASC 039 Compliance
- Emergency Vision Assurance System (EVAS)
- Predictive Windshear System (PWS)
- XM Weather System
- Six (6) Articulating Electronic Tablet Holders
- Two (2) Conference Table Cupholder Inserts, Veneer Covered
- Baggage Compartment Hinged Shelf
- Quartz Polymer Surface Countertop & Lavatories (Upgrade)
- Convection Oven
- Microwave
- Coffee Maker
- Espresso Maker
- Electric Wine Chiller

## Interior:

Thirteen (13) Passenger Forward Galley Configuration.

Forward Cabin: Four (4) Place Club w/Electric Lumbar Support on Single & Double Seats

Mid Cabin: Four (4) Place Conference Group Opposite a Credenza

Aft Cabin: Two (2) Place Club Opposite a Three (3) Place Divan w/Storage Drawer

Lavatories: Forward Crew & Aft Passenger Lavatories

---

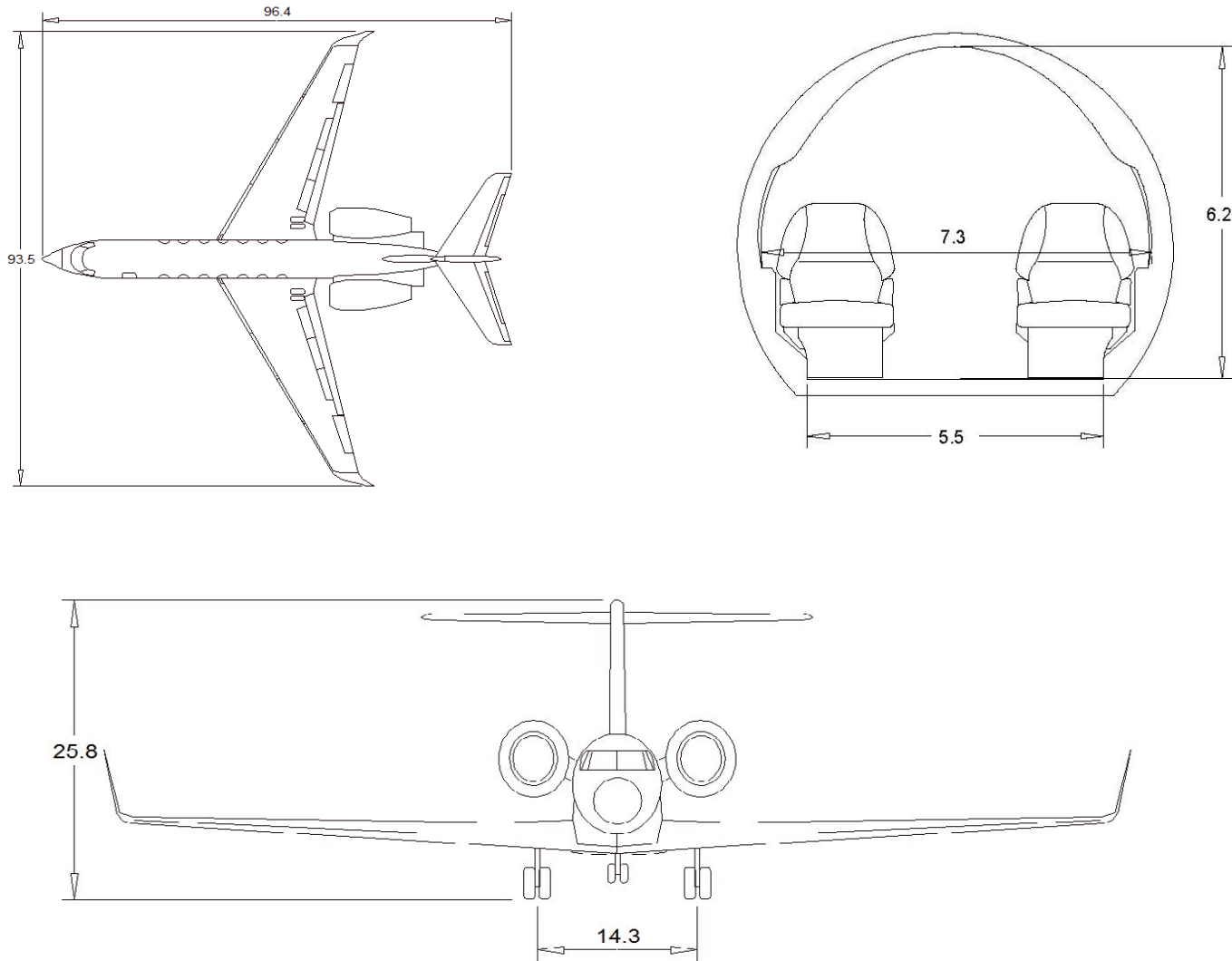
## Exterior:

Overall Matterhorn White w/Teal Green & Silver Accent Striping.

---

SPECIFICATIONS ARE PROVIDED FOR INFORMATIONAL PURPOSES ONLY AND DO NOT CONSTITUTE REPRESENTATIONS OR WARRANTIES. THESE SPECIFICATIONS ARE SUBJECT TO BUYER'S INDEPENDENT VERIFICATION UPON INSPECTION.  
THE AIRCRAFT IS SUBJECT TO PRIOR SALE, LEASE AND/OR REMOVAL FROM THE MARKET WITHOUT PRIOR NOTICE. MAY 6, 2024 11:00 AM

# 2019 Gulfstream G500 SN 72023 N405PC



SPECIFICATIONS ARE PROVIDED FOR INFORMATIONAL PURPOSES ONLY AND DO NOT CONSTITUTE REPRESENTATIONS OR WARRANTIES. THESE SPECIFICATIONS ARE SUBJECT TO BUYER'S INDEPENDENT VERIFICATION UPON INSPECTION.  
THE AIRCRAFT IS SUBJECT TO PRIOR SALE, LEASE AND/OR REMOVAL FROM THE MARKET WITHOUT PRIOR NOTICE. MAY 6, 2024 11:00 AM

2019 Gulfstream G500 SN 72023 N405PC

---



SPECIFICATIONS ARE PROVIDED FOR INFORMATIONAL PURPOSES ONLY AND DO NOT CONSTITUTE REPRESENTATIONS OR WARRANTIES. THESE SPECIFICATIONS ARE SUBJECT TO BUYER'S INDEPENDENT VERIFICATION UPON INSPECTION.  
THE AIRCRAFT IS SUBJECT TO PRIOR SALE, LEASE AND/OR REMOVAL FROM THE MARKET WITHOUT PRIOR NOTICE. MAY 6, 2024 11:00 AM

**AVPROJETS.COM**  
info@avprojets.com

900 Bestgate Road Suite 412 Annapolis, MD 21401  
+1.410.573.1515

**Mike Caruso**  
mcaruso@avprojets.com

2019 Gulfstream G500 SN 72023 N405PC

---



SPECIFICATIONS ARE PROVIDED FOR INFORMATIONAL PURPOSES ONLY AND DO NOT CONSTITUTE REPRESENTATIONS OR WARRANTIES. THESE SPECIFICATIONS ARE SUBJECT TO BUYER'S INDEPENDENT VERIFICATION UPON INSPECTION.  
THE AIRCRAFT IS SUBJECT TO PRIOR SALE, LEASE AND/OR REMOVAL FROM THE MARKET WITHOUT PRIOR NOTICE. MAY 6, 2024 11:00 AM

**AVPROJETS.COM**  
info@avprojets.com

900 Bestgate Road Suite 412 Annapolis, MD 21401  
+1.410.573.1515

**Mike Caruso**  
mcaruso@avprojets.com

2019 Gulfstream G500 SN 72023 N405PC

---



SPECIFICATIONS ARE PROVIDED FOR INFORMATIONAL PURPOSES ONLY AND DO NOT CONSTITUTE REPRESENTATIONS OR WARRANTIES. THESE SPECIFICATIONS ARE SUBJECT TO BUYER'S INDEPENDENT VERIFICATION UPON INSPECTION.  
THE AIRCRAFT IS SUBJECT TO PRIOR SALE, LEASE AND/OR REMOVAL FROM THE MARKET WITHOUT PRIOR NOTICE. MAY 6, 2024 11:00 AM

**AVPROJETS.COM**  
info@avprojets.com

900 Bestgate Road Suite 412 Annapolis, MD 21401  
+1.410.573.1515

**Mike Caruso**  
mcaruso@avprojets.com



2019 Gulfstream G500 SN 72023 N405PC



SPECIFICATIONS ARE PROVIDED FOR INFORMATIONAL PURPOSES ONLY AND DO NOT CONSTITUTE REPRESENTATIONS OR WARRANTIES. THESE SPECIFICATIONS ARE SUBJECT TO BUYER'S INDEPENDENT VERIFICATION UPON INSPECTION.  
THE AIRCRAFT IS SUBJECT TO PRIOR SALE, LEASE AND/OR REMOVAL FROM THE MARKET WITHOUT PRIOR NOTICE. MAY 6, 2024 11:00 AM

**AVPROJETS.COM**  
info@avprojets.com

900 Bestgate Road Suite 412 Annapolis, MD 21401  
+1.410.573.1515

**Mike Caruso**  
mcaruso@avprojets.com

2019 Gulfstream G500 SN 72023 N405PC



SPECIFICATIONS ARE PROVIDED FOR INFORMATIONAL PURPOSES ONLY AND DO NOT CONSTITUTE REPRESENTATIONS OR WARRANTIES. THESE SPECIFICATIONS ARE SUBJECT TO BUYER'S INDEPENDENT VERIFICATION UPON INSPECTION.  
THE AIRCRAFT IS SUBJECT TO PRIOR SALE, LEASE AND/OR REMOVAL FROM THE MARKET WITHOUT PRIOR NOTICE. MAY 6, 2024 11:00 AM

**AVPROJETS.COM**  
info@avprojets.com

900 Bestgate Road Suite 412 Annapolis, MD 21401  
+1.410.573.1515

**Mike Caruso**  
mcaruso@avprojets.com

2019 Gulfstream G500 SN 72023 N405PC

---



SPECIFICATIONS ARE PROVIDED FOR INFORMATIONAL PURPOSES ONLY AND DO NOT CONSTITUTE REPRESENTATIONS OR WARRANTIES. THESE SPECIFICATIONS ARE SUBJECT TO BUYER'S INDEPENDENT VERIFICATION UPON INSPECTION.  
THE AIRCRAFT IS SUBJECT TO PRIOR SALE, LEASE AND/OR REMOVAL FROM THE MARKET WITHOUT PRIOR NOTICE. MAY 6, 2024 11:00 AM

**AVPROJETS.COM**  
info@avprojets.com

900 Bestgate Road Suite 412 Annapolis, MD 21401  
+1.410.573.1515

**Mike Caruso**  
mcaruso@avprojets.com

2019 Gulfstream G500 SN 72023 N405PC



SPECIFICATIONS ARE PROVIDED FOR INFORMATIONAL PURPOSES ONLY AND DO NOT CONSTITUTE REPRESENTATIONS OR WARRANTIES. THESE SPECIFICATIONS ARE SUBJECT TO BUYER'S INDEPENDENT VERIFICATION UPON INSPECTION.  
THE AIRCRAFT IS SUBJECT TO PRIOR SALE, LEASE AND/OR REMOVAL FROM THE MARKET WITHOUT PRIOR NOTICE. MAY 6, 2024 11:00 AM

**AVPROJETS.COM**  
info@avprojets.com

900 Bestgate Road Suite 412 Annapolis, MD 21401  
+1.410.573.1515

**Mike Caruso**  
mcaruso@avprojets.com

2019 Gulfstream G500 SN 72023 N405PC

---



SPECIFICATIONS ARE PROVIDED FOR INFORMATIONAL PURPOSES ONLY AND DO NOT CONSTITUTE REPRESENTATIONS OR WARRANTIES. THESE SPECIFICATIONS ARE SUBJECT TO BUYER'S INDEPENDENT VERIFICATION UPON INSPECTION.  
THE AIRCRAFT IS SUBJECT TO PRIOR SALE, LEASE AND/OR REMOVAL FROM THE MARKET WITHOUT PRIOR NOTICE. MAY 6, 2024 11:00 AM

**AVPROJETS.COM**  
info@avprojets.com

900 Bestgate Road Suite 412 Annapolis, MD 21401  
+1.410.573.1515

**Mike Caruso**  
mcaruso@avprojets.com

2019 Gulfstream G500 SN 72023 N405PC



SPECIFICATIONS ARE PROVIDED FOR INFORMATIONAL PURPOSES ONLY AND DO NOT CONSTITUTE REPRESENTATIONS OR WARRANTIES. THESE SPECIFICATIONS ARE SUBJECT TO BUYER'S INDEPENDENT VERIFICATION UPON INSPECTION.  
THE AIRCRAFT IS SUBJECT TO PRIOR SALE, LEASE AND/OR REMOVAL FROM THE MARKET WITHOUT PRIOR NOTICE. MAY 6, 2024 11:00 AM

**AVPROJETS.COM**  
info@avprojets.com

900 Bestgate Road Suite 412 Annapolis, MD 21401  
+1.410.573.1515

**Mike Caruso**  
mcaruso@avprojets.com

2019 Gulfstream G500 SN 72023 N405PC



SPECIFICATIONS ARE PROVIDED FOR INFORMATIONAL PURPOSES ONLY AND DO NOT CONSTITUTE REPRESENTATIONS OR WARRANTIES. THESE SPECIFICATIONS ARE SUBJECT TO BUYER'S INDEPENDENT VERIFICATION UPON INSPECTION.  
THE AIRCRAFT IS SUBJECT TO PRIOR SALE, LEASE AND/OR REMOVAL FROM THE MARKET WITHOUT PRIOR NOTICE. MAY 6, 2024 11:00 AM

**AVPROJETS.COM**  
info@avprojets.com

900 Bestgate Road Suite 412 Annapolis, MD 21401  
+1.410.573.1515

**Mike Caruso**  
mcaruso@avprojets.com

2019 Gulfstream G500 SN 72023 N405PC



SPECIFICATIONS ARE PROVIDED FOR INFORMATIONAL PURPOSES ONLY AND DO NOT CONSTITUTE REPRESENTATIONS OR WARRANTIES. THESE SPECIFICATIONS ARE SUBJECT TO BUYER'S INDEPENDENT VERIFICATION UPON INSPECTION. THE AIRCRAFT IS SUBJECT TO PRIOR SALE, LEASE AND/OR REMOVAL FROM THE MARKET WITHOUT PRIOR NOTICE. MAY 6, 2024 11:00 AM

**AVPROJETS.COM**  
info@avprojets.com

900 Bestgate Road Suite 412 Annapolis, MD 21401  
+1.410.573.1515

**Mike Caruso**  
mcaruso@avprojets.com



2019 Gulfstream G500 SN 72023 N405PC



SPECIFICATIONS ARE PROVIDED FOR INFORMATIONAL PURPOSES ONLY AND DO NOT CONSTITUTE REPRESENTATIONS OR WARRANTIES. THESE SPECIFICATIONS ARE SUBJECT TO BUYER'S INDEPENDENT VERIFICATION UPON INSPECTION.  
THE AIRCRAFT IS SUBJECT TO PRIOR SALE, LEASE AND/OR REMOVAL FROM THE MARKET WITHOUT PRIOR NOTICE. MAY 6, 2024 11:00 AM

**AVPROJETS.COM**  
info@avprojets.com

900 Bestgate Road Suite 412 Annapolis, MD 21401  
+1.410.573.1515

**Mike Caruso**  
mcaruso@avprojets.com

2019 Gulfstream G500 SN 72023 N405PC



SPECIFICATIONS ARE PROVIDED FOR INFORMATIONAL PURPOSES ONLY AND DO NOT CONSTITUTE REPRESENTATIONS OR WARRANTIES. THESE SPECIFICATIONS ARE SUBJECT TO BUYER'S INDEPENDENT VERIFICATION UPON INSPECTION.  
THE AIRCRAFT IS SUBJECT TO PRIOR SALE, LEASE AND/OR REMOVAL FROM THE MARKET WITHOUT PRIOR NOTICE. MAY 6, 2024 11:00 AM

**AVPROJETS.COM**  
info@avprojets.com

900 Bestgate Road Suite 412 Annapolis, MD 21401  
+1.410.573.1515

**Mike Caruso**  
mcaruso@avprojets.com

2019 Gulfstream G500 SN 72023 N405PC

---



SPECIFICATIONS ARE PROVIDED FOR INFORMATIONAL PURPOSES ONLY AND DO NOT CONSTITUTE REPRESENTATIONS OR WARRANTIES. THESE SPECIFICATIONS ARE SUBJECT TO BUYER'S INDEPENDENT VERIFICATION UPON INSPECTION.  
THE AIRCRAFT IS SUBJECT TO PRIOR SALE, LEASE AND/OR REMOVAL FROM THE MARKET WITHOUT PRIOR NOTICE. MAY 6, 2024 11:00 AM

**AVPROJETS.COM**  
info@avprojets.com

900 Bestgate Road Suite 412 Annapolis, MD 21401  
+1.410.573.1515

**Mike Caruso**  
mcaruso@avprojets.com

2019 Gulfstream G500 SN 72023 N405PC



SPECIFICATIONS ARE PROVIDED FOR INFORMATIONAL PURPOSES ONLY AND DO NOT CONSTITUTE REPRESENTATIONS OR WARRANTIES. THESE SPECIFICATIONS ARE SUBJECT TO BUYER'S INDEPENDENT VERIFICATION UPON INSPECTION.  
THE AIRCRAFT IS SUBJECT TO PRIOR SALE, LEASE AND/OR REMOVAL FROM THE MARKET WITHOUT PRIOR NOTICE. MAY 6, 2024 11:00 AM

**AVPROJETS.COM**  
info@avprojets.com

900 Bestgate Road Suite 412 Annapolis, MD 21401  
+1.410.573.1515

**Mike Caruso**  
mcaruso@avprojets.com

2019 Gulfstream G500 SN 72023 N405PC



SPECIFICATIONS ARE PROVIDED FOR INFORMATIONAL PURPOSES ONLY AND DO NOT CONSTITUTE REPRESENTATIONS OR WARRANTIES. THESE SPECIFICATIONS ARE SUBJECT TO BUYER'S INDEPENDENT VERIFICATION UPON INSPECTION.  
THE AIRCRAFT IS SUBJECT TO PRIOR SALE, LEASE AND/OR REMOVAL FROM THE MARKET WITHOUT PRIOR NOTICE. MAY 6, 2024 11:00 AM

**AVPROJETS.COM**  
info@avprojets.com

900 Bestgate Road Suite 412 Annapolis, MD 21401  
+1.410.573.1515

**Mike Caruso**  
mcaruso@avprojets.com

2019 Gulfstream G500 SN 72023 N405PC



SPECIFICATIONS ARE PROVIDED FOR INFORMATIONAL PURPOSES ONLY AND DO NOT CONSTITUTE REPRESENTATIONS OR WARRANTIES. THESE SPECIFICATIONS ARE SUBJECT TO BUYER'S INDEPENDENT VERIFICATION UPON INSPECTION.  
THE AIRCRAFT IS SUBJECT TO PRIOR SALE, LEASE AND/OR REMOVAL FROM THE MARKET WITHOUT PRIOR NOTICE. MAY 6, 2024 11:00 AM

**AVPROJETS.COM**  
info@avprojets.com

900 Bestgate Road Suite 412 Annapolis, MD 21401  
+1.410.573.1515

**Mike Caruso**  
mcaruso@avprojets.com

2019 Gulfstream G500 SN 72023 N405PC



SPECIFICATIONS ARE PROVIDED FOR INFORMATIONAL PURPOSES ONLY AND DO NOT CONSTITUTE REPRESENTATIONS OR WARRANTIES. THESE SPECIFICATIONS ARE SUBJECT TO BUYER'S INDEPENDENT VERIFICATION UPON INSPECTION.  
THE AIRCRAFT IS SUBJECT TO PRIOR SALE, LEASE AND/OR REMOVAL FROM THE MARKET WITHOUT PRIOR NOTICE. MAY 6, 2024 11:00 AM

**AVPROJETS.COM**  
info@avprojets.com

900 Bestgate Road Suite 412 Annapolis, MD 21401  
+1.410.573.1515

**Mike Caruso**  
mcaruso@avprojets.com

2019 Gulfstream G500 SN 72023 N405PC



SPECIFICATIONS ARE PROVIDED FOR INFORMATIONAL PURPOSES ONLY AND DO NOT CONSTITUTE REPRESENTATIONS OR WARRANTIES. THESE SPECIFICATIONS ARE SUBJECT TO BUYER'S INDEPENDENT VERIFICATION UPON INSPECTION.  
THE AIRCRAFT IS SUBJECT TO PRIOR SALE, LEASE AND/OR REMOVAL FROM THE MARKET WITHOUT PRIOR NOTICE. MAY 6, 2024 11:00 AM

**AVPROJETS.COM**  
info@avprojets.com

900 Bestgate Road Suite 412 Annapolis, MD 21401  
+1.410.573.1515

**Mike Caruso**  
mcaruso@avprojets.com



2019 Gulfstream G500 SN 72023 N405PC

---



SPECIFICATIONS ARE PROVIDED FOR INFORMATIONAL PURPOSES ONLY AND DO NOT CONSTITUTE REPRESENTATIONS OR WARRANTIES. THESE SPECIFICATIONS ARE SUBJECT TO BUYER'S INDEPENDENT VERIFICATION UPON INSPECTION.  
THE AIRCRAFT IS SUBJECT TO PRIOR SALE, LEASE AND/OR REMOVAL FROM THE MARKET WITHOUT PRIOR NOTICE. MAY 6, 2024 11:00 AM

**AVPROJETS.COM**  
info@avprojets.com

900 Bestgate Road Suite 412 Annapolis, MD 21401  
+1.410.573.1515

**Mike Caruso**  
mcaruso@avprojets.com

2019 Gulfstream G500 SN 72023 N405PC



SPECIFICATIONS ARE PROVIDED FOR INFORMATIONAL PURPOSES ONLY AND DO NOT CONSTITUTE REPRESENTATIONS OR WARRANTIES. THESE SPECIFICATIONS ARE SUBJECT TO BUYER'S INDEPENDENT VERIFICATION UPON INSPECTION.  
THE AIRCRAFT IS SUBJECT TO PRIOR SALE, LEASE AND/OR REMOVAL FROM THE MARKET WITHOUT PRIOR NOTICE. MAY 6, 2024 11:00 AM

**AVPROJETS.COM**  
info@avprojets.com

900 Bestgate Road Suite 412 Annapolis, MD 21401  
+1.410.573.1515

**Mike Caruso**  
mcaruso@avprojets.com

2019 Gulfstream G500 SN 72023 N405PC



SPECIFICATIONS ARE PROVIDED FOR INFORMATIONAL PURPOSES ONLY AND DO NOT CONSTITUTE REPRESENTATIONS OR WARRANTIES. THESE SPECIFICATIONS ARE SUBJECT TO BUYER'S INDEPENDENT VERIFICATION UPON INSPECTION.  
THE AIRCRAFT IS SUBJECT TO PRIOR SALE, LEASE AND/OR REMOVAL FROM THE MARKET WITHOUT PRIOR NOTICE. MAY 6, 2024 11:00 AM

**AVPROJETS.COM**  
info@avprojets.com

900 Bestgate Road Suite 412 Annapolis, MD 21401  
+1.410.573.1515

**Mike Caruso**  
mcaruso@avprojets.com

2019 Gulfstream G500 SN 72023 N405PC

---



SPECIFICATIONS ARE PROVIDED FOR INFORMATIONAL PURPOSES ONLY AND DO NOT CONSTITUTE REPRESENTATIONS OR WARRANTIES. THESE SPECIFICATIONS ARE SUBJECT TO BUYER'S INDEPENDENT VERIFICATION UPON INSPECTION.  
THE AIRCRAFT IS SUBJECT TO PRIOR SALE, LEASE AND/OR REMOVAL FROM THE MARKET WITHOUT PRIOR NOTICE. MAY 6, 2024 11:00 AM

**AVPROJETS.COM**  
info@avprojets.com

900 Bestgate Road Suite 412 Annapolis, MD 21401  
+1.410.573.1515

**Mike Caruso**  
mcaruso@avprojets.com

2019 Gulfstream G500 SN 72023 N405PC



SPECIFICATIONS ARE PROVIDED FOR INFORMATIONAL PURPOSES ONLY AND DO NOT CONSTITUTE REPRESENTATIONS OR WARRANTIES. THESE SPECIFICATIONS ARE SUBJECT TO BUYER'S INDEPENDENT VERIFICATION UPON INSPECTION.  
THE AIRCRAFT IS SUBJECT TO PRIOR SALE, LEASE AND/OR REMOVAL FROM THE MARKET WITHOUT PRIOR NOTICE. MAY 6, 2024 11:00 AM

**AVPROJETS.COM**  
info@avprojets.com

900 Bestgate Road Suite 412 Annapolis, MD 21401  
+1.410.573.1515

**Mike Caruso**  
mcaruso@avprojets.com

2019 Gulfstream G500 SN 72023 N405PC

---



SPECIFICATIONS ARE PROVIDED FOR INFORMATIONAL PURPOSES ONLY AND DO NOT CONSTITUTE REPRESENTATIONS OR WARRANTIES. THESE SPECIFICATIONS ARE SUBJECT TO BUYER'S INDEPENDENT VERIFICATION UPON INSPECTION.  
THE AIRCRAFT IS SUBJECT TO PRIOR SALE, LEASE AND/OR REMOVAL FROM THE MARKET WITHOUT PRIOR NOTICE. MAY 6, 2024 11:00 AM

**AVPROJETS.COM**  
info@avprojets.com

900 Bestgate Road Suite 412 Annapolis, MD 21401  
+1.410.573.1515

**Mike Caruso**  
mcaruso@avprojets.com

2019 Gulfstream G500 SN 72023 N405PC



SPECIFICATIONS ARE PROVIDED FOR INFORMATIONAL PURPOSES ONLY AND DO NOT CONSTITUTE REPRESENTATIONS OR WARRANTIES. THESE SPECIFICATIONS ARE SUBJECT TO BUYER'S INDEPENDENT VERIFICATION UPON INSPECTION.  
THE AIRCRAFT IS SUBJECT TO PRIOR SALE, LEASE AND/OR REMOVAL FROM THE MARKET WITHOUT PRIOR NOTICE. MAY 6, 2024 11:00 AM

**AVPROJETS.COM**  
info@avprojets.com

900 Bestgate Road Suite 412 Annapolis, MD 21401  
+1.410.573.1515

**Mike Caruso**  
mcaruso@avprojets.com

2019 Gulfstream G500 SN 72023 N405PC



SPECIFICATIONS ARE PROVIDED FOR INFORMATIONAL PURPOSES ONLY AND DO NOT CONSTITUTE REPRESENTATIONS OR WARRANTIES. THESE SPECIFICATIONS ARE SUBJECT TO BUYER'S INDEPENDENT VERIFICATION UPON INSPECTION.  
THE AIRCRAFT IS SUBJECT TO PRIOR SALE, LEASE AND/OR REMOVAL FROM THE MARKET WITHOUT PRIOR NOTICE. MAY 6, 2024 11:00 AM

**AVPROJETS.COM**  
info@avprojets.com

900 Bestgate Road Suite 412 Annapolis, MD 21401  
+1.410.573.1515

**Mike Caruso**  
mcaruso@avprojets.com





**AVPRO** INC.

CELEBRATING OVER **30** YEARS OF EXCELLENCE

We perform for our clients, averaging two transactions a week.

We match aircraft to your specifications in a professional and timely manner, allowing you to concentrate on your business, leaving the important details of marketing, market research, negotiating and contracting to us.

Avpro offers aircraft financing advisory services. We have the expertise to navigate the appropriate structure, costs and terms to help you meet your objectives. We are ready to provide advice, analysis and sourcing of the lender best suited to meet your requirements.

---

SERVING CUSTOMERS  
AROUND THE GLOBE

---

**Talk to Us**

**info@avprojets.com**

**+1.410.573.1515**

**Connect with Us**

