

2007 Gulfstream ^{SN} 4080

G450



CLICK TO VIEW
VIRTUAL TOUR



AVPRO INC.
www.avprojets.com

MANAGING PARTNER

Chris Ellis
cellis@avprojets.com
+1.410.573.1515

2007 Gulfstream G450 SN 4080 N555TF

Aircraft Listing Details:

Total Hours: 4535

Total Landings: 2097

Engines: Rolls Royce TAY MK 611-8C

	#1	#2
Total Hours:	4480	4480
Engine Cycles:	2061	2061
Serial Numbers:	85165	85164

APU: Honeywell GTCP36-150 (GIV)

Total Hours: 2231

Serial Number: P-191

Aircraft Highlights:

- Two U.S. Owners Since New
- Fourteen (14) Pax Aft Galley
- 2023 Paint by Gulfstream Savannah
- 192 Mo. Inspection by Gulfstream Westfield, March 2023
- GOGO L5 Avance
- Enhanced Navigation (ASC-84D)
- XM Weather
- Engines on Rolls Royce Corporate Care
- APU on Honeywell MSP

Avionics:

- Gulfstream PlaneView Avionics Package
- PlaneView Master Operating System Software (ASC-912C)
- Enhanced Navigation (ASC-84D)
- Honeywell PlaneView Flight Director
- Honeywell GP-500 Flight Guidance Panel
- Honeywell/Kollsman VGS - HUD/EVS
- Four (4) Honeywell DU-1310-2 Flat Panel Display Units
- Dual Honeywell DC-884 Display Controllers
- Honeywell DP-884 Dimming Control
- Dual Cursor Control Devices
- Dual High Frequency (HF) Transceivers
- Dual Very High Frequency (VHF) Transceivers
- VHF NAV/Communication Unit (3rd VHF NAVCOM NC-860A)
- Central Maintenance Computer
- Data Management Unit (DMU)
- L3 EDBI
- Standby Attitude/Airspeed/Altitude Indicator
- Dual Honeywell DM-855 DMEs
- Dual ADF-855 ADFs
- Triple Honeywell MC-860 Multi-Function Control Displays
- Triple Honeywell MAU-913 Modular Avionic Units
- Triple Honeywell AV-900 Audio Panels
- Triple Honeywell AZ-200 Air Data Modules
- Dual Honeywell ATC Mode S Transponders
- Triple Honeywell NZ-2000 FMS
- Triple Honeywell IR-500 LASEREF V IRUs
- Dual Honeywell MRC-855A Modular Radio Cabinets
- Dual Honeywell RT-300 Radar Altimeter
- EGPWS w/Windshear Detection
- Honeywell TCAS-2000 TCAS 7.1
- Honeywell Primus 880 Weather Radar
- XM Weather
- Honeywell Solid State Flight Data Recorder (88 Parameters)
- Honeywell Solid State Cockpit Voice Recorder
- 406 MHZ ELT

SPECIFICATIONS ARE PROVIDED FOR INFORMATIONAL PURPOSES ONLY AND DO NOT CONSTITUTE REPRESENTATIONS OR WARRANTIES. THESE SPECIFICATIONS ARE SUBJECT TO BUYER'S INDEPENDENT VERIFICATION UPON INSPECTION.
THE AIRCRAFT IS SUBJECT TO PRIOR SALE, LEASE AND/OR REMOVAL FROM THE MARKET WITHOUT PRIOR NOTICE. MAY 10, 2024 10:22 AM

2007 Gulfstream G450 SN 4080 N555TF

Connectivity:

- GOGO L5 Avance
 - Honeywell MCS-7000 SATCOM
 - Satcom Direct Router
 - MagnaStar C-2000 Flight Phone w/Five (5) Handsets
-

Entertainment:

- Airshow 4000 w/Worldwide Maps
 - Dual Multi-Region DVD Players
 - CD Player
 - Forward 17" LCD Bulkhead Monitor
 - 17" LCD Monitor Above Credenza
 - Six (6) 7" Individual LCD Monitors
-

Features/Options:

- SecuraPlane 500 Security System w/Three (3) External Cameras
- Emergency Vision Assurance System
- ATG Electric Window Shade **Upgraded March 2023**
- Talon LED Exterior Lighting STC
- Underwater Acoustic Beacon (DK 180)
- Rosen Sun Visors
- Water Sterilization System
- High Temperature Oven
- Microwave Oven
- Coffee Maker
- Espresso Maker
- Facsimile
- 60 Hz Cockpit Outlets Mod

Inspection Status

- 192 Month Inspection by Gulfstream Westfield, March 2023
-

Navigation Compliance:

- Enhanced Navigation (ASC-84D)
 - Honeywell/Kollsman VGS - HUD/EVS
 - CPDLC - FANS 1/A
 - ADS-B Out
 - Honeywell TCAS-2000 TCAS 7.1
 - FM Immunity / 8.33 Spacing / RVSM
-

Maintenance Programs:

- Engines on Rolls Royce Corporate Care
 - APU on Honeywell MSP
-

Interior:

Fourteen (14) Passenger Aft Galley Universal Floorplan.

Forward Crew Refreshment, Crew Lavatory followed by a Four (4) Place Club. Mid Two (2) Place Club Opposite a Four (4) Place Divan. Aft Four (4) Place Conference Opposite a Credenza, Fully Equipped Galley & Passenger Lav

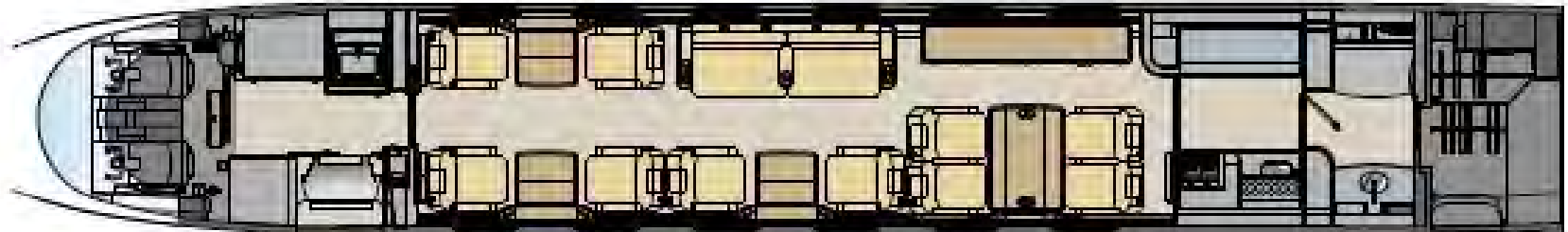
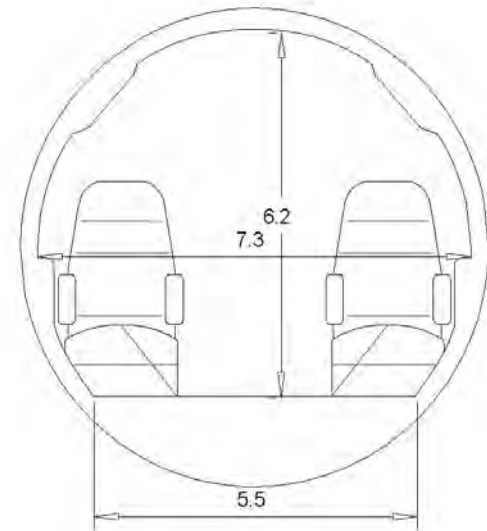
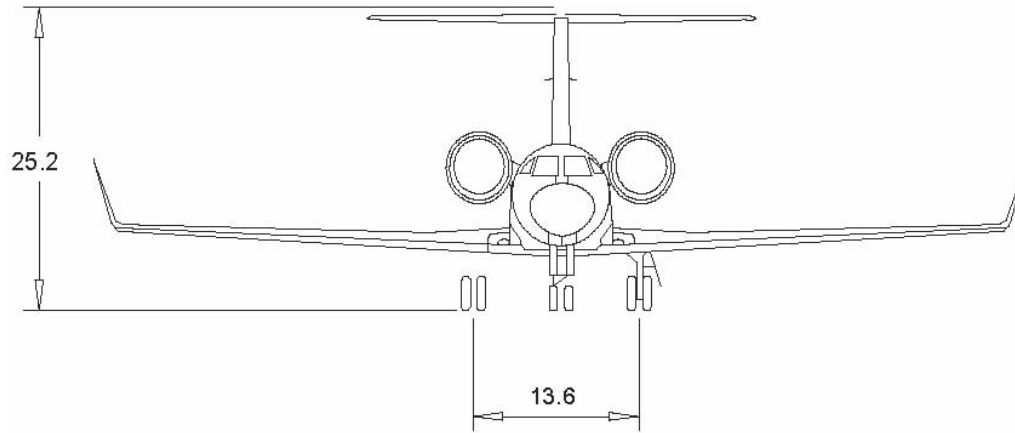
ChairsMoonbeam Leather
DivanClassic Cow Jute Leather
HeadlinerIzit Enhanced Milkweed Ultraleather
CabinetryQuarter Figured African Mahogany Wood Veneer
PlatingGold Light Aged Antique Metal

Exterior: July 2023 Paint by Gulfstream Savannah

Matterhorn White w/Arctic Blue & Yellow Gold Accent Striping.

SPECIFICATIONS ARE PROVIDED FOR INFORMATIONAL PURPOSES ONLY AND DO NOT CONSTITUTE REPRESENTATIONS OR WARRANTIES. THESE SPECIFICATIONS ARE SUBJECT TO BUYER'S INDEPENDENT VERIFICATION UPON INSPECTION.
THE AIRCRAFT IS SUBJECT TO PRIOR SALE, LEASE AND/OR REMOVAL FROM THE MARKET WITHOUT PRIOR NOTICE. MAY 10, 2024 10:22 AM

2007 Gulfstream G450 SN 4080 N555TF



SPECIFICATIONS ARE PROVIDED FOR INFORMATIONAL PURPOSES ONLY AND DO NOT CONSTITUTE REPRESENTATIONS OR WARRANTIES. THESE SPECIFICATIONS ARE SUBJECT TO BUYER'S INDEPENDENT VERIFICATION UPON INSPECTION. THE AIRCRAFT IS SUBJECT TO PRIOR SALE, LEASE AND/OR REMOVAL FROM THE MARKET WITHOUT PRIOR NOTICE. MAY 10, 2024 10:22 AM

2007 Gulfstream G450 SN 4080 N555TF



SPECIFICATIONS ARE PROVIDED FOR INFORMATIONAL PURPOSES ONLY AND DO NOT CONSTITUTE REPRESENTATIONS OR WARRANTIES. THESE SPECIFICATIONS ARE SUBJECT TO BUYER'S INDEPENDENT VERIFICATION UPON INSPECTION.
THE AIRCRAFT IS SUBJECT TO PRIOR SALE, LEASE AND/OR REMOVAL FROM THE MARKET WITHOUT PRIOR NOTICE. MAY 10, 2024 10:22 AM

AVPROJETS.COM
info@avprojets.com

900 Bestgate Road Suite 412 Annapolis, MD 21401
+1.410.573.1515

Chris Ellis
cellis@avprojets.com

2007 Gulfstream G450 SN 4080 N555TF



SPECIFICATIONS ARE PROVIDED FOR INFORMATIONAL PURPOSES ONLY AND DO NOT CONSTITUTE REPRESENTATIONS OR WARRANTIES. THESE SPECIFICATIONS ARE SUBJECT TO BUYER'S INDEPENDENT VERIFICATION UPON INSPECTION.
THE AIRCRAFT IS SUBJECT TO PRIOR SALE, LEASE AND/OR REMOVAL FROM THE MARKET WITHOUT PRIOR NOTICE. MAY 10, 2024 10:22 AM

AVPROJETS.COM
info@avprojets.com

900 Bestgate Road Suite 412 Annapolis, MD 21401
+1.410.573.1515

Chris Ellis
cellis@avprojets.com

2007 Gulfstream G450 SN 4080 N555TF



SPECIFICATIONS ARE PROVIDED FOR INFORMATIONAL PURPOSES ONLY AND DO NOT CONSTITUTE REPRESENTATIONS OR WARRANTIES. THESE SPECIFICATIONS ARE SUBJECT TO BUYER'S INDEPENDENT VERIFICATION UPON INSPECTION.
THE AIRCRAFT IS SUBJECT TO PRIOR SALE, LEASE AND/OR REMOVAL FROM THE MARKET WITHOUT PRIOR NOTICE. MAY 10, 2024 10:22 AM

AVPROJETS.COM
info@avprojets.com

900 Bestgate Road Suite 412 Annapolis, MD 21401
+1.410.573.1515

Chris Ellis
cellis@avprojets.com

2007 Gulfstream G450 SN 4080 N555TF



SPECIFICATIONS ARE PROVIDED FOR INFORMATIONAL PURPOSES ONLY AND DO NOT CONSTITUTE REPRESENTATIONS OR WARRANTIES. THESE SPECIFICATIONS ARE SUBJECT TO BUYER'S INDEPENDENT VERIFICATION UPON INSPECTION.
THE AIRCRAFT IS SUBJECT TO PRIOR SALE, LEASE AND/OR REMOVAL FROM THE MARKET WITHOUT PRIOR NOTICE. MAY 10, 2024 10:22 AM

AVPROJETS.COM
info@avprojets.com

900 Bestgate Road Suite 412 Annapolis, MD 21401
+1.410.573.1515

Chris Ellis
cellis@avprojets.com

2007 Gulfstream G450 SN 4080 N555TF



SPECIFICATIONS ARE PROVIDED FOR INFORMATIONAL PURPOSES ONLY AND DO NOT CONSTITUTE REPRESENTATIONS OR WARRANTIES. THESE SPECIFICATIONS ARE SUBJECT TO BUYER'S INDEPENDENT VERIFICATION UPON INSPECTION.
THE AIRCRAFT IS SUBJECT TO PRIOR SALE, LEASE AND/OR REMOVAL FROM THE MARKET WITHOUT PRIOR NOTICE. MAY 10, 2024 10:22 AM

AVPROJETS.COM
info@avprojets.com

900 Bestgate Road Suite 412 Annapolis, MD 21401
+1.410.573.1515

Chris Ellis
cellis@avprojets.com

2007 Gulfstream G450 SN 4080 N555TF



SPECIFICATIONS ARE PROVIDED FOR INFORMATIONAL PURPOSES ONLY AND DO NOT CONSTITUTE REPRESENTATIONS OR WARRANTIES. THESE SPECIFICATIONS ARE SUBJECT TO BUYER'S INDEPENDENT VERIFICATION UPON INSPECTION.
THE AIRCRAFT IS SUBJECT TO PRIOR SALE, LEASE AND/OR REMOVAL FROM THE MARKET WITHOUT PRIOR NOTICE. MAY 10, 2024 10:22 AM

AVPROJETS.COM
info@avprojets.com

900 Bestgate Road Suite 412 Annapolis, MD 21401
+1.410.573.1515

Chris Ellis
cellis@avprojets.com

2007 Gulfstream G450 SN 4080 N555TF



SPECIFICATIONS ARE PROVIDED FOR INFORMATIONAL PURPOSES ONLY AND DO NOT CONSTITUTE REPRESENTATIONS OR WARRANTIES. THESE SPECIFICATIONS ARE SUBJECT TO BUYER'S INDEPENDENT VERIFICATION UPON INSPECTION.
THE AIRCRAFT IS SUBJECT TO PRIOR SALE, LEASE AND/OR REMOVAL FROM THE MARKET WITHOUT PRIOR NOTICE. MAY 10, 2024 10:22 AM

AVPROJETS.COM
info@avprojets.com

900 Bestgate Road Suite 412 Annapolis, MD 21401
+1.410.573.1515

Chris Ellis
cellis@avprojets.com

2007 Gulfstream G450 SN 4080 N555TF



SPECIFICATIONS ARE PROVIDED FOR INFORMATIONAL PURPOSES ONLY AND DO NOT CONSTITUTE REPRESENTATIONS OR WARRANTIES. THESE SPECIFICATIONS ARE SUBJECT TO BUYER'S INDEPENDENT VERIFICATION UPON INSPECTION.
THE AIRCRAFT IS SUBJECT TO PRIOR SALE, LEASE AND/OR REMOVAL FROM THE MARKET WITHOUT PRIOR NOTICE. MAY 10, 2024 10:22 AM

AVPROJETS.COM
info@avprojets.com

900 Bestgate Road Suite 412 Annapolis, MD 21401
+1.410.573.1515

Chris Ellis
cellis@avprojets.com

2007 Gulfstream G450 SN 4080 N555TF



SPECIFICATIONS ARE PROVIDED FOR INFORMATIONAL PURPOSES ONLY AND DO NOT CONSTITUTE REPRESENTATIONS OR WARRANTIES. THESE SPECIFICATIONS ARE SUBJECT TO BUYER'S INDEPENDENT VERIFICATION UPON INSPECTION.
THE AIRCRAFT IS SUBJECT TO PRIOR SALE, LEASE AND/OR REMOVAL FROM THE MARKET WITHOUT PRIOR NOTICE. MAY 10, 2024 10:22 AM

AVPROJETS.COM
info@avprojets.com

900 Bestgate Road Suite 412 Annapolis, MD 21401
+1.410.573.1515

Chris Ellis
cellis@avprojets.com

2007 Gulfstream G450 SN 4080 N555TF



SPECIFICATIONS ARE PROVIDED FOR INFORMATIONAL PURPOSES ONLY AND DO NOT CONSTITUTE REPRESENTATIONS OR WARRANTIES. THESE SPECIFICATIONS ARE SUBJECT TO BUYER'S INDEPENDENT VERIFICATION UPON INSPECTION. THE AIRCRAFT IS SUBJECT TO PRIOR SALE, LEASE AND/OR REMOVAL FROM THE MARKET WITHOUT PRIOR NOTICE. MAY 10, 2024 10:22 AM

AVPROJETS.COM
info@avprojets.com

900 Bestgate Road Suite 412 Annapolis, MD 21401
+1.410.573.1515

Chris Ellis
cellis@avprojets.com

2007 Gulfstream G450 SN 4080 N555TF



SPECIFICATIONS ARE PROVIDED FOR INFORMATIONAL PURPOSES ONLY AND DO NOT CONSTITUTE REPRESENTATIONS OR WARRANTIES. THESE SPECIFICATIONS ARE SUBJECT TO BUYER'S INDEPENDENT VERIFICATION UPON INSPECTION.
THE AIRCRAFT IS SUBJECT TO PRIOR SALE, LEASE AND/OR REMOVAL FROM THE MARKET WITHOUT PRIOR NOTICE. MAY 10, 2024 10:22 AM

AVPROJETS.COM
info@avprojets.com

900 Bestgate Road Suite 412 Annapolis, MD 21401
+1.410.573.1515

Chris Ellis
cellis@avprojets.com

2007 Gulfstream G450 SN 4080 N555TF



SPECIFICATIONS ARE PROVIDED FOR INFORMATIONAL PURPOSES ONLY AND DO NOT CONSTITUTE REPRESENTATIONS OR WARRANTIES. THESE SPECIFICATIONS ARE SUBJECT TO BUYER'S INDEPENDENT VERIFICATION UPON INSPECTION.
THE AIRCRAFT IS SUBJECT TO PRIOR SALE, LEASE AND/OR REMOVAL FROM THE MARKET WITHOUT PRIOR NOTICE. MAY 10, 2024 10:22 AM

AVPROJETS.COM
info@avprojets.com

900 Bestgate Road Suite 412 Annapolis, MD 21401
+1.410.573.1515

Chris Ellis
cellis@avprojets.com

2007 Gulfstream G450 SN 4080 N555TF



SPECIFICATIONS ARE PROVIDED FOR INFORMATIONAL PURPOSES ONLY AND DO NOT CONSTITUTE REPRESENTATIONS OR WARRANTIES. THESE SPECIFICATIONS ARE SUBJECT TO BUYER'S INDEPENDENT VERIFICATION UPON INSPECTION.
THE AIRCRAFT IS SUBJECT TO PRIOR SALE, LEASE AND/OR REMOVAL FROM THE MARKET WITHOUT PRIOR NOTICE. MAY 10, 2024 10:22 AM

AVPROJETS.COM
info@avprojets.com

900 Bestgate Road Suite 412 Annapolis, MD 21401
+1.410.573.1515

Chris Ellis
cellis@avprojets.com

2007 Gulfstream G450 SN 4080 N555TF



SPECIFICATIONS ARE PROVIDED FOR INFORMATIONAL PURPOSES ONLY AND DO NOT CONSTITUTE REPRESENTATIONS OR WARRANTIES. THESE SPECIFICATIONS ARE SUBJECT TO BUYER'S INDEPENDENT VERIFICATION UPON INSPECTION.
THE AIRCRAFT IS SUBJECT TO PRIOR SALE, LEASE AND/OR REMOVAL FROM THE MARKET WITHOUT PRIOR NOTICE. MAY 10, 2024 10:22 AM

AVPROJETS.COM
info@avprojets.com

900 Bestgate Road Suite 412 Annapolis, MD 21401
+1.410.573.1515

Chris Ellis
cellis@avprojets.com

2007 Gulfstream G450 SN 4080 N555TF



SPECIFICATIONS ARE PROVIDED FOR INFORMATIONAL PURPOSES ONLY AND DO NOT CONSTITUTE REPRESENTATIONS OR WARRANTIES. THESE SPECIFICATIONS ARE SUBJECT TO BUYER'S INDEPENDENT VERIFICATION UPON INSPECTION.
THE AIRCRAFT IS SUBJECT TO PRIOR SALE, LEASE AND/OR REMOVAL FROM THE MARKET WITHOUT PRIOR NOTICE. MAY 10, 2024 10:22 AM

AVPROJETS.COM
info@avprojets.com

900 Bestgate Road Suite 412 Annapolis, MD 21401
+1.410.573.1515

Chris Ellis
cellis@avprojets.com

2007 Gulfstream G450 SN 4080 N555TF



SPECIFICATIONS ARE PROVIDED FOR INFORMATIONAL PURPOSES ONLY AND DO NOT CONSTITUTE REPRESENTATIONS OR WARRANTIES. THESE SPECIFICATIONS ARE SUBJECT TO BUYER'S INDEPENDENT VERIFICATION UPON INSPECTION.
THE AIRCRAFT IS SUBJECT TO PRIOR SALE, LEASE AND/OR REMOVAL FROM THE MARKET WITHOUT PRIOR NOTICE. MAY 10, 2024 10:22 AM

AVPROJETS.COM
info@avprojets.com

900 Bestgate Road Suite 412 Annapolis, MD 21401
+1.410.573.1515

Chris Ellis
cellis@avprojets.com

2007 Gulfstream G450 SN 4080 N555TF



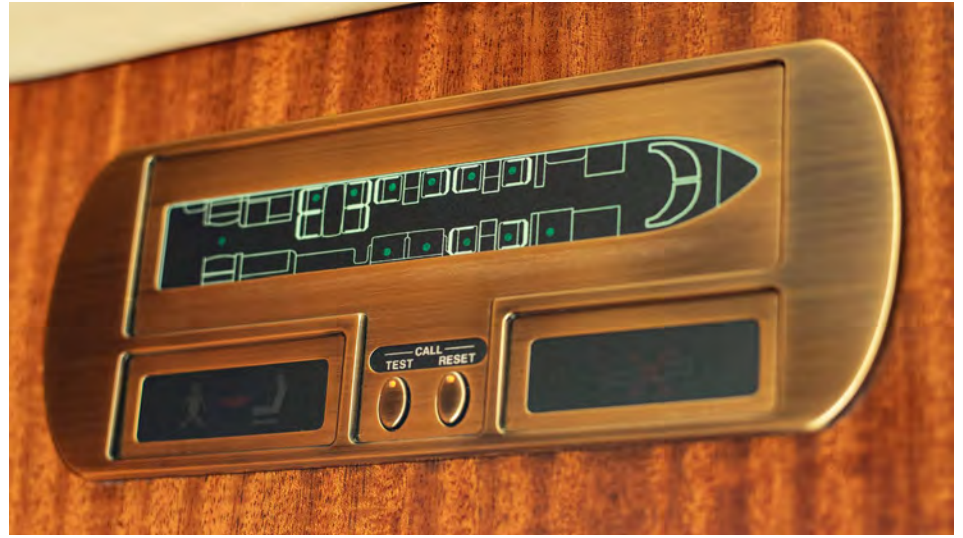
SPECIFICATIONS ARE PROVIDED FOR INFORMATIONAL PURPOSES ONLY AND DO NOT CONSTITUTE REPRESENTATIONS OR WARRANTIES. THESE SPECIFICATIONS ARE SUBJECT TO BUYER'S INDEPENDENT VERIFICATION UPON INSPECTION.
THE AIRCRAFT IS SUBJECT TO PRIOR SALE, LEASE AND/OR REMOVAL FROM THE MARKET WITHOUT PRIOR NOTICE. MAY 10, 2024 10:22 AM

AVPROJETS.COM
info@avprojets.com

900 Bestgate Road Suite 412 Annapolis, MD 21401
+1.410.573.1515

Chris Ellis
cellis@avprojets.com

2007 Gulfstream G450 SN 4080 N555TF



SPECIFICATIONS ARE PROVIDED FOR INFORMATIONAL PURPOSES ONLY AND DO NOT CONSTITUTE REPRESENTATIONS OR WARRANTIES. THESE SPECIFICATIONS ARE SUBJECT TO BUYER'S INDEPENDENT VERIFICATION UPON INSPECTION. THE AIRCRAFT IS SUBJECT TO PRIOR SALE, LEASE AND/OR REMOVAL FROM THE MARKET WITHOUT PRIOR NOTICE. MAY 10, 2024 10:22 AM

2007 Gulfstream G450 SN 4080 N555TF



SPECIFICATIONS ARE PROVIDED FOR INFORMATIONAL PURPOSES ONLY AND DO NOT CONSTITUTE REPRESENTATIONS OR WARRANTIES. THESE SPECIFICATIONS ARE SUBJECT TO BUYER'S INDEPENDENT VERIFICATION UPON INSPECTION. THE AIRCRAFT IS SUBJECT TO PRIOR SALE, LEASE AND/OR REMOVAL FROM THE MARKET WITHOUT PRIOR NOTICE. MAY 10, 2024 10:22 AM

AVPROJETS.COM
info@avprojets.com

900 Bestgate Road Suite 412 Annapolis, MD 21401
+1.410.573.1515

Chris Ellis
cellis@avprojets.com

2007 Gulfstream G450 SN 4080 N555TF



SPECIFICATIONS ARE PROVIDED FOR INFORMATIONAL PURPOSES ONLY AND DO NOT CONSTITUTE REPRESENTATIONS OR WARRANTIES. THESE SPECIFICATIONS ARE SUBJECT TO BUYER'S INDEPENDENT VERIFICATION UPON INSPECTION.
THE AIRCRAFT IS SUBJECT TO PRIOR SALE, LEASE AND/OR REMOVAL FROM THE MARKET WITHOUT PRIOR NOTICE. MAY 10, 2024 10:22 AM

AVPROJETS.COM
info@avprojets.com

900 Bestgate Road Suite 412 Annapolis, MD 21401
+1.410.573.1515

Chris Ellis
cellis@avprojets.com

2007 Gulfstream G450 SN 4080 N555TF



SPECIFICATIONS ARE PROVIDED FOR INFORMATIONAL PURPOSES ONLY AND DO NOT CONSTITUTE REPRESENTATIONS OR WARRANTIES. THESE SPECIFICATIONS ARE SUBJECT TO BUYER'S INDEPENDENT VERIFICATION UPON INSPECTION.
THE AIRCRAFT IS SUBJECT TO PRIOR SALE, LEASE AND/OR REMOVAL FROM THE MARKET WITHOUT PRIOR NOTICE. MAY 10, 2024 10:22 AM

AVPROJETS.COM
info@avprojets.com

900 Bestgate Road Suite 412 Annapolis, MD 21401
+1.410.573.1515

Chris Ellis
cellis@avprojets.com

2007 Gulfstream G450 SN 4080 N555TF



SPECIFICATIONS ARE PROVIDED FOR INFORMATIONAL PURPOSES ONLY AND DO NOT CONSTITUTE REPRESENTATIONS OR WARRANTIES. THESE SPECIFICATIONS ARE SUBJECT TO BUYER'S INDEPENDENT VERIFICATION UPON INSPECTION.
THE AIRCRAFT IS SUBJECT TO PRIOR SALE, LEASE AND/OR REMOVAL FROM THE MARKET WITHOUT PRIOR NOTICE. MAY 10, 2024 10:22 AM

AVPROJETS.COM
info@avprojets.com

900 Bestgate Road Suite 412 Annapolis, MD 21401
+1.410.573.1515

Chris Ellis
cellis@avprojets.com

2007 Gulfstream G450 SN 4080 N555TF



SPECIFICATIONS ARE PROVIDED FOR INFORMATIONAL PURPOSES ONLY AND DO NOT CONSTITUTE REPRESENTATIONS OR WARRANTIES. THESE SPECIFICATIONS ARE SUBJECT TO BUYER'S INDEPENDENT VERIFICATION UPON INSPECTION. THE AIRCRAFT IS SUBJECT TO PRIOR SALE, LEASE AND/OR REMOVAL FROM THE MARKET WITHOUT PRIOR NOTICE. MAY 10, 2024 10:22 AM

AVPROJETS.COM
info@avprojets.com

900 Bestgate Road Suite 412 Annapolis, MD 21401
+1.410.573.1515

Chris Ellis
cellis@avprojets.com

2007 Gulfstream G450 SN 4080 N555TF



SPECIFICATIONS ARE PROVIDED FOR INFORMATIONAL PURPOSES ONLY AND DO NOT CONSTITUTE REPRESENTATIONS OR WARRANTIES. THESE SPECIFICATIONS ARE SUBJECT TO BUYER'S INDEPENDENT VERIFICATION UPON INSPECTION.
THE AIRCRAFT IS SUBJECT TO PRIOR SALE, LEASE AND/OR REMOVAL FROM THE MARKET WITHOUT PRIOR NOTICE. MAY 10, 2024 10:22 AM

2007 Gulfstream G450 SN 4080 N555TF



SPECIFICATIONS ARE PROVIDED FOR INFORMATIONAL PURPOSES ONLY AND DO NOT CONSTITUTE REPRESENTATIONS OR WARRANTIES. THESE SPECIFICATIONS ARE SUBJECT TO BUYER'S INDEPENDENT VERIFICATION UPON INSPECTION.
THE AIRCRAFT IS SUBJECT TO PRIOR SALE, LEASE AND/OR REMOVAL FROM THE MARKET WITHOUT PRIOR NOTICE. MAY 10, 2024 10:22 AM

AVPROJETS.COM
info@avprojets.com

900 Bestgate Road Suite 412 Annapolis, MD 21401
+1.410.573.1515

Chris Ellis
cellis@avprojets.com

2007 Gulfstream G450 SN 4080 N555TF



SPECIFICATIONS ARE PROVIDED FOR INFORMATIONAL PURPOSES ONLY AND DO NOT CONSTITUTE REPRESENTATIONS OR WARRANTIES. THESE SPECIFICATIONS ARE SUBJECT TO BUYER'S INDEPENDENT VERIFICATION UPON INSPECTION.
THE AIRCRAFT IS SUBJECT TO PRIOR SALE, LEASE AND/OR REMOVAL FROM THE MARKET WITHOUT PRIOR NOTICE. MAY 10, 2024 10:22 AM

AVPROJETS.COM
info@avprojets.com

900 Bestgate Road Suite 412 Annapolis, MD 21401
+1.410.573.1515

Chris Ellis
cellis@avprojets.com

2007 Gulfstream G450 SN 4080 N555TF



SPECIFICATIONS ARE PROVIDED FOR INFORMATIONAL PURPOSES ONLY AND DO NOT CONSTITUTE REPRESENTATIONS OR WARRANTIES. THESE SPECIFICATIONS ARE SUBJECT TO BUYER'S INDEPENDENT VERIFICATION UPON INSPECTION.
THE AIRCRAFT IS SUBJECT TO PRIOR SALE, LEASE AND/OR REMOVAL FROM THE MARKET WITHOUT PRIOR NOTICE. MAY 10, 2024 10:22 AM

AVPROJETS.COM
info@avprojets.com

900 Bestgate Road Suite 412 Annapolis, MD 21401
+1.410.573.1515

Chris Ellis
cellis@avprojets.com



AVPRO INC.

CELEBRATING OVER **30** YEARS OF EXCELLENCE

We perform for our clients, averaging two transactions a week.

We match aircraft to your specifications in a professional and timely manner, allowing you to concentrate on your business, leaving the important details of marketing, market research, negotiating and contracting to us.

Avpro offers aircraft financing advisory services. We have the expertise to navigate the appropriate structure, costs and terms to help you meet your objectives. We are ready to provide advice, analysis and sourcing of the lender best suited to meet your requirements.

SERVING CUSTOMERS
AROUND THE GLOBE

Talk to Us info@avprojets.com +1.410.573.1515

Connect with Us LINKEDIN FACEBOOK TWITTER INSTAGRAM

