

1996 Gulfstream <sup>SN</sup> 1293

# GIVSP



CLICK TO VIEW  
VIRTUAL TOUR



CLICK TO VIEW  
VIDEO



**AVPRO** INC.  
www.avprojets.com

EXECUTIVE SALES DIRECTOR

**Eddie Kilkeary III**  
ekilkeary@avprojets.com  
+1.410.573.1515

# 1996 Gulfstream IVSP SN 1293 N429DD

---

## Aircraft Listing Details:

Total Hours: 13,130  
Total Landings: 6,039

---

## Engines: Rolls Royce TAY611-8

	#1	#2
Total Hours:	12,703	12,703
Engine Cycles:	5,822	5,822
Serial Numbers:	16699	16700

Calendar Midlife Due May 2027

Calendar OH Due January 2034

## APU: Honeywell 36-150(G)

Total Hours: 10,168  
Serial Number: P-713-C

---

## Aircraft Highlights:

- Two Owners Since New
- Always N-Registered
- Engines on Rolls-Royce Corporate Care
- APU on Honeywell MSP Gold
- Avionics on MSP Avionics
- Airframe on MSP Mechanical
- New Paint – February 2013
- Standard Aft Galley Floorplan
- Next Engine Overhaul Due 2034

## Avionics:

- Sperry SPZ-8400 System
- Dual Honeywell SPZ-8400
- Dual Honeywell FZ-820 Flight Guidance Computer
- Dual Collins VIR-432 VIRs
- Dual Collins DME-442 DMEs
- Dual Collins VHF-422C COMMs
- Dual Collins ADF-462 ADFs
- Dual Honeywell AZ-810 Air Data Computers
- Dual TDR-94D w/Elementary/Enhanced/ADS-B
- Dual Honeywell NZ-2000 FMS w/GPS & 6.1 Software
- Baker Cockpit Audio Control Panels
- Triple Honeywell LaserRef II
- Honeywell RT-300 Radio Altimeter
- Dual Collins HF-9000 w/SELCAL
- Honeywell TCAS-II w/Change 7.1
- Honeywell WXR-870 Weather Radar w/Turbulence Detection
- Allied Signal MK-V EGPWS w/Windshear
- Fairchild F-1000 Flight Data Recorder
- Fairchild A-100 Cockpit Voice Recorder
- Allied Signal AFIS w/VHF & Satcom Link
- Honeywell DL-950 Data Loader
- ARTEX 406 MHz ELT

SPECIFICATIONS ARE PROVIDED FOR INFORMATIONAL PURPOSES ONLY AND DO NOT CONSTITUTE REPRESENTATIONS OR WARRANTIES. THESE SPECIFICATIONS ARE SUBJECT TO BUYER'S INDEPENDENT VERIFICATION UPON INSPECTION.  
THE AIRCRAFT IS SUBJECT TO PRIOR SALE, LEASE AND/OR REMOVAL FROM THE MARKET WITHOUT PRIOR NOTICE. MAY 20, 2024 11:50 AM

# 1996 Gulfstream IVSP SN 1293 N429DD

---

## Connectivity:

- Coltech CSD-714 5-Channel Selcal
  - MagnaStar C-2000 Phone w/Fax & Satcom Interface
  - Honeywell MCS-3000 Satcom
- 

## Entertainment:

- Airshow 400
  - Sony Cabin Stereo
  - CD Player
  - AEM LSA100 Cabin PA Amplifier
- 

## Maintenance Programs:

- Engines on Rolls-Royce Corporate Care
  - APU on Honeywell MSP Gold
  - Avionics on MSP Avionics
  - Airframe on MSP Mechanical
- 

## Inspection Status:

Inspection	Next Due
12 Month	January 2025
24 Month	January 2026
36 Month	December 2026
48 Month	December 2027
72 Month	July 2024
96 Month	April 2028

---

## Navigation Compliance:

- WAAS / LPV
  - Honeywell TCAS-II w/ Change 7.1
- 

## Weights: (as of 2/11/13)

Gross.....	75,000 lbs.
Empty.....	42,160 lbs.
Basic Operating.....	44,168.6 lbs.

---

SPECIFICATIONS ARE PROVIDED FOR INFORMATIONAL PURPOSES ONLY AND DO NOT CONSTITUTE REPRESENTATIONS OR WARRANTIES. THESE SPECIFICATIONS ARE SUBJECT TO BUYER'S INDEPENDENT VERIFICATION UPON INSPECTION.  
THE AIRCRAFT IS SUBJECT TO PRIOR SALE, LEASE AND/OR REMOVAL FROM THE MARKET WITHOUT PRIOR NOTICE. MAY 20, 2024 11:50 AM

# 1996 Gulfstream IVSP SN 1293 N429DD

---

## Features/Options:

- Cabin & Galley Master Switches in Cockpit
- Airstair Storage Compartments
- Manual Window Shades
- 115V 60Hz & 115V 400Hz Outlets
- High Temp Oven
- Microwave
- Bruce Industries Fluorescent Effect Lighting
- 50 Cu. Ft. Crew Oxygen Bottle
- Two (2) 115 Cu. Ft. Oxygen Bottles
- Cabin Therapeutic Oxygen Outlet
- 20 Gallon Pressurized Water System
- External APU Hour Meter
- Rosemount Ice Detector System
- Precise Flight Pulselite
- Grimes Vertical Stabilizer Recognition
- Wing Tip Taxi Lights
- External Service Compartment Lighting
- Service Door Open Warning
- Baggage Door/Ramp Area Lights
- JET ADI-331 Standby Horizon w/Emergency ILS Display

## Interior:

Thirteen (13) passenger aft galley configuration.

- Forward Four (4) Place Club
- Mid Three (3) Place Divan Opposite a Two (2) Place Club
- Aft Four (4) Place Conference Group Opposite a Credenza
- Forward Crew & Aft Passenger Lavatories

## Exterior:

(New Paint, February 2013)

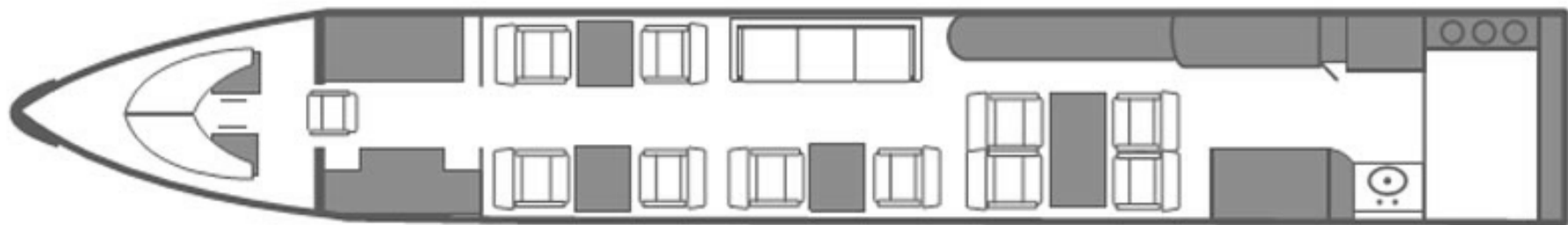
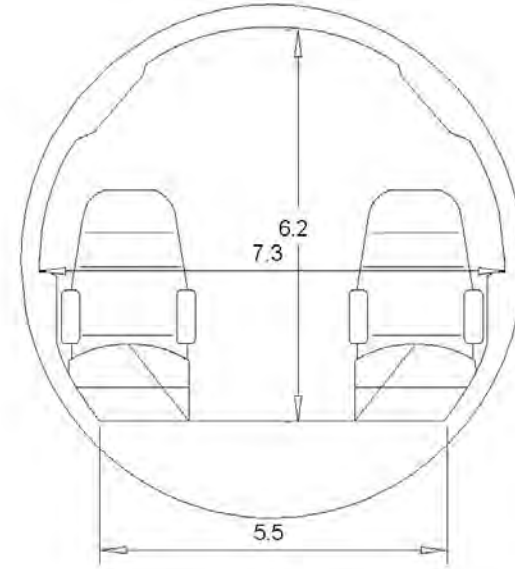
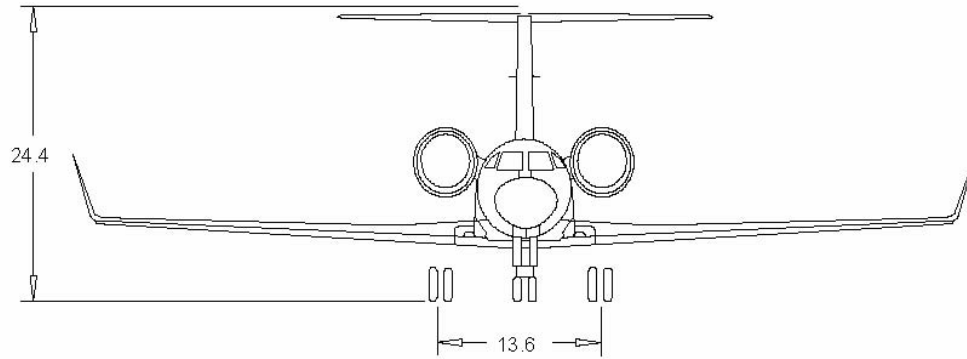
Overall Matterhorn White with Blue & Silver Accent Striping.



SPECIFICATIONS ARE PROVIDED FOR INFORMATIONAL PURPOSES ONLY AND DO NOT CONSTITUTE REPRESENTATIONS OR WARRANTIES. THESE SPECIFICATIONS ARE SUBJECT TO BUYER'S INDEPENDENT VERIFICATION UPON INSPECTION.  
THE AIRCRAFT IS SUBJECT TO PRIOR SALE, LEASE AND/OR REMOVAL FROM THE MARKET WITHOUT PRIOR NOTICE. MAY 20, 2024 11:50 AM



1996 Gulfstream IVSP SN 1293 N429DD



SPECIFICATIONS ARE PROVIDED FOR INFORMATIONAL PURPOSES ONLY AND DO NOT CONSTITUTE REPRESENTATIONS OR WARRANTIES. THESE SPECIFICATIONS ARE SUBJECT TO BUYER'S INDEPENDENT VERIFICATION UPON INSPECTION.  
THE AIRCRAFT IS SUBJECT TO PRIOR SALE, LEASE AND/OR REMOVAL FROM THE MARKET WITHOUT PRIOR NOTICE. FEBRUARY 15, 2024 4:31 PM

1996 Gulfstream IVSP SN 1293 N429DD

---



SPECIFICATIONS ARE PROVIDED FOR INFORMATIONAL PURPOSES ONLY AND DO NOT CONSTITUTE REPRESENTATIONS OR WARRANTIES. THESE SPECIFICATIONS ARE SUBJECT TO BUYER'S INDEPENDENT VERIFICATION UPON INSPECTION.  
THE AIRCRAFT IS SUBJECT TO PRIOR SALE, LEASE AND/OR REMOVAL FROM THE MARKET WITHOUT PRIOR NOTICE. FEBRUARY 15, 2024 4:31 PM

**AVPROJETS.COM**  
info@avprojets.com

900 Bestgate Road Suite 412 Annapolis, MD 21401  
+1.410.573.1515

**Eddie Kilkeary III**  
ekilkeary@avprojets.com

1996 Gulfstream IVSP SN 1293 N429DD

---



SPECIFICATIONS ARE PROVIDED FOR INFORMATIONAL PURPOSES ONLY AND DO NOT CONSTITUTE REPRESENTATIONS OR WARRANTIES. THESE SPECIFICATIONS ARE SUBJECT TO BUYER'S INDEPENDENT VERIFICATION UPON INSPECTION.  
THE AIRCRAFT IS SUBJECT TO PRIOR SALE, LEASE AND/OR REMOVAL FROM THE MARKET WITHOUT PRIOR NOTICE. FEBRUARY 15, 2024 4:31 PM

**AVPROJETS.COM**  
info@avprojets.com

900 Bestgate Road Suite 412 Annapolis, MD 21401  
+1.410.573.1515

**Eddie Kilkeary III**  
ekilkeary@avprojets.com



1996 Gulfstream IVSP SN 1293 N429DD

---



SPECIFICATIONS ARE PROVIDED FOR INFORMATIONAL PURPOSES ONLY AND DO NOT CONSTITUTE REPRESENTATIONS OR WARRANTIES. THESE SPECIFICATIONS ARE SUBJECT TO BUYER'S INDEPENDENT VERIFICATION UPON INSPECTION.  
THE AIRCRAFT IS SUBJECT TO PRIOR SALE, LEASE AND/OR REMOVAL FROM THE MARKET WITHOUT PRIOR NOTICE. FEBRUARY 15, 2024 4:31 PM

**AVPROJETS.COM**  
info@avprojets.com

900 Bestgate Road Suite 412 Annapolis, MD 21401  
+1.410.573.1515

**Eddie Kilkeary III**  
ekilkeary@avprojets.com



1996 Gulfstream IVSP SN 1293 N429DD

---



SPECIFICATIONS ARE PROVIDED FOR INFORMATIONAL PURPOSES ONLY AND DO NOT CONSTITUTE REPRESENTATIONS OR WARRANTIES. THESE SPECIFICATIONS ARE SUBJECT TO BUYER'S INDEPENDENT VERIFICATION UPON INSPECTION.  
THE AIRCRAFT IS SUBJECT TO PRIOR SALE, LEASE AND/OR REMOVAL FROM THE MARKET WITHOUT PRIOR NOTICE. FEBRUARY 15, 2024 4:31 PM

**AVPROJETS.COM**  
info@avprojets.com

900 Bestgate Road Suite 412 Annapolis, MD 21401  
+1.410.573.1515

**Eddie Kilkeary III**  
ekilkeary@avprojets.com

1996 Gulfstream IVSP SN 1293 N429DD

---



SPECIFICATIONS ARE PROVIDED FOR INFORMATIONAL PURPOSES ONLY AND DO NOT CONSTITUTE REPRESENTATIONS OR WARRANTIES. THESE SPECIFICATIONS ARE SUBJECT TO BUYER'S INDEPENDENT VERIFICATION UPON INSPECTION.  
THE AIRCRAFT IS SUBJECT TO PRIOR SALE, LEASE AND/OR REMOVAL FROM THE MARKET WITHOUT PRIOR NOTICE. FEBRUARY 15, 2024 4:31 PM

**AVPROJETS.COM**  
info@avprojets.com

900 Bestgate Road Suite 412 Annapolis, MD 21401  
+1.410.573.1515

**Eddie Kilkeary III**  
ekilkeary@avprojets.com



1996 Gulfstream IVSP SN 1293 N429DD

---



SPECIFICATIONS ARE PROVIDED FOR INFORMATIONAL PURPOSES ONLY AND DO NOT CONSTITUTE REPRESENTATIONS OR WARRANTIES. THESE SPECIFICATIONS ARE SUBJECT TO BUYER'S INDEPENDENT VERIFICATION UPON INSPECTION.  
THE AIRCRAFT IS SUBJECT TO PRIOR SALE, LEASE AND/OR REMOVAL FROM THE MARKET WITHOUT PRIOR NOTICE. FEBRUARY 15, 2024 4:31 PM

**AVPROJETS.COM**  
info@avprojets.com

900 Bestgate Road Suite 412 Annapolis, MD 21401  
+1.410.573.1515

**Eddie Kilkeary III**  
ekilkeary@avprojets.com



1996 Gulfstream IVSP SN 1293 N429DD



SPECIFICATIONS ARE PROVIDED FOR INFORMATIONAL PURPOSES ONLY AND DO NOT CONSTITUTE REPRESENTATIONS OR WARRANTIES. THESE SPECIFICATIONS ARE SUBJECT TO BUYER'S INDEPENDENT VERIFICATION UPON INSPECTION. THE AIRCRAFT IS SUBJECT TO PRIOR SALE, LEASE AND/OR REMOVAL FROM THE MARKET WITHOUT PRIOR NOTICE. FEBRUARY 15, 2024 4:31 PM

**AVPROJETS.COM**  
info@avprojets.com

900 Bestgate Road Suite 412 Annapolis, MD 21401  
+1.410.573.1515

**Eddie Kilkeary III**  
ekilkeary@avprojets.com



1996 Gulfstream IVSP SN 1293 N429DD



SPECIFICATIONS ARE PROVIDED FOR INFORMATIONAL PURPOSES ONLY AND DO NOT CONSTITUTE REPRESENTATIONS OR WARRANTIES. THESE SPECIFICATIONS ARE SUBJECT TO BUYER'S INDEPENDENT VERIFICATION UPON INSPECTION. THE AIRCRAFT IS SUBJECT TO PRIOR SALE, LEASE AND/OR REMOVAL FROM THE MARKET WITHOUT PRIOR NOTICE. FEBRUARY 15, 2024 4:31 PM

**AVPROJETS.COM**  
info@avprojets.com

900 Bestgate Road Suite 412 Annapolis, MD 21401  
+1.410.573.1515

**Eddie Kilkeary III**  
ekilkeary@avprojets.com



1996 Gulfstream IVSP SN 1293 N429DD



SPECIFICATIONS ARE PROVIDED FOR INFORMATIONAL PURPOSES ONLY AND DO NOT CONSTITUTE REPRESENTATIONS OR WARRANTIES. THESE SPECIFICATIONS ARE SUBJECT TO BUYER'S INDEPENDENT VERIFICATION UPON INSPECTION.  
THE AIRCRAFT IS SUBJECT TO PRIOR SALE, LEASE AND/OR REMOVAL FROM THE MARKET WITHOUT PRIOR NOTICE. FEBRUARY 15, 2024 4:31 PM

**AVPROJETS.COM**  
info@avprojets.com

900 Bestgate Road Suite 412 Annapolis, MD 21401  
+1.410.573.1515

**Eddie Kilkeary III**  
ekilkeary@avprojets.com



1996 Gulfstream IVSP SN 1293 N429DD

---



SPECIFICATIONS ARE PROVIDED FOR INFORMATIONAL PURPOSES ONLY AND DO NOT CONSTITUTE REPRESENTATIONS OR WARRANTIES. THESE SPECIFICATIONS ARE SUBJECT TO BUYER'S INDEPENDENT VERIFICATION UPON INSPECTION.  
THE AIRCRAFT IS SUBJECT TO PRIOR SALE, LEASE AND/OR REMOVAL FROM THE MARKET WITHOUT PRIOR NOTICE. FEBRUARY 15, 2024 4:31 PM

**AVPROJETS.COM**  
info@avprojets.com

900 Bestgate Road Suite 412 Annapolis, MD 21401  
+1.410.573.1515

**Eddie Kilkeary III**  
ekilkeary@avprojets.com



1996 Gulfstream IVSP SN 1293 N429DD



SPECIFICATIONS ARE PROVIDED FOR INFORMATIONAL PURPOSES ONLY AND DO NOT CONSTITUTE REPRESENTATIONS OR WARRANTIES. THESE SPECIFICATIONS ARE SUBJECT TO BUYER'S INDEPENDENT VERIFICATION UPON INSPECTION.  
THE AIRCRAFT IS SUBJECT TO PRIOR SALE, LEASE AND/OR REMOVAL FROM THE MARKET WITHOUT PRIOR NOTICE. FEBRUARY 15, 2024 4:31 PM

**AVPROJETS.COM**  
info@avprojets.com

900 Bestgate Road Suite 412 Annapolis, MD 21401  
+1.410.573.1515

**Eddie Kilkeary III**  
ekilkeary@avprojets.com



1996 Gulfstream IVSP SN 1293 N429DD



SPECIFICATIONS ARE PROVIDED FOR INFORMATIONAL PURPOSES ONLY AND DO NOT CONSTITUTE REPRESENTATIONS OR WARRANTIES. THESE SPECIFICATIONS ARE SUBJECT TO BUYER'S INDEPENDENT VERIFICATION UPON INSPECTION.  
THE AIRCRAFT IS SUBJECT TO PRIOR SALE, LEASE AND/OR REMOVAL FROM THE MARKET WITHOUT PRIOR NOTICE. FEBRUARY 15, 2024 4:31 PM

**AVPROJETS.COM**  
info@avprojets.com

900 Bestgate Road Suite 412 Annapolis, MD 21401  
+1.410.573.1515

**Eddie Kilkeary III**  
ekilkeary@avprojets.com



1996 Gulfstream IVSP SN 1293 N429DD



SPECIFICATIONS ARE PROVIDED FOR INFORMATIONAL PURPOSES ONLY AND DO NOT CONSTITUTE REPRESENTATIONS OR WARRANTIES. THESE SPECIFICATIONS ARE SUBJECT TO BUYER'S INDEPENDENT VERIFICATION UPON INSPECTION.  
THE AIRCRAFT IS SUBJECT TO PRIOR SALE, LEASE AND/OR REMOVAL FROM THE MARKET WITHOUT PRIOR NOTICE. FEBRUARY 15, 2024 4:31 PM

**AVPROJETS.COM**  
info@avprojets.com

900 Bestgate Road Suite 412 Annapolis, MD 21401  
+1.410.573.1515

**Eddie Kilkeary III**  
ekilkeary@avprojets.com



1996 Gulfstream IVSP SN 1293 N429DD



SPECIFICATIONS ARE PROVIDED FOR INFORMATIONAL PURPOSES ONLY AND DO NOT CONSTITUTE REPRESENTATIONS OR WARRANTIES. THESE SPECIFICATIONS ARE SUBJECT TO BUYER'S INDEPENDENT VERIFICATION UPON INSPECTION.  
THE AIRCRAFT IS SUBJECT TO PRIOR SALE, LEASE AND/OR REMOVAL FROM THE MARKET WITHOUT PRIOR NOTICE. FEBRUARY 15, 2024 4:31 PM

**AVPROJETS.COM**  
info@avprojets.com

900 Bestgate Road Suite 412 Annapolis, MD 21401  
+1.410.573.1515

**Eddie Kilkeary III**  
ekilkeary@avprojets.com



1996 Gulfstream IVSP SN 1293 N429DD



SPECIFICATIONS ARE PROVIDED FOR INFORMATIONAL PURPOSES ONLY AND DO NOT CONSTITUTE REPRESENTATIONS OR WARRANTIES. THESE SPECIFICATIONS ARE SUBJECT TO BUYER'S INDEPENDENT VERIFICATION UPON INSPECTION.  
THE AIRCRAFT IS SUBJECT TO PRIOR SALE, LEASE AND/OR REMOVAL FROM THE MARKET WITHOUT PRIOR NOTICE. FEBRUARY 15, 2024 4:31 PM



1996 Gulfstream IVSP SN 1293 N429DD



SPECIFICATIONS ARE PROVIDED FOR INFORMATIONAL PURPOSES ONLY AND DO NOT CONSTITUTE REPRESENTATIONS OR WARRANTIES. THESE SPECIFICATIONS ARE SUBJECT TO BUYER'S INDEPENDENT VERIFICATION UPON INSPECTION.  
THE AIRCRAFT IS SUBJECT TO PRIOR SALE, LEASE AND/OR REMOVAL FROM THE MARKET WITHOUT PRIOR NOTICE. FEBRUARY 15, 2024 4:31 PM

**AVPROJETS.COM**  
info@avprojets.com

900 Bestgate Road Suite 412 Annapolis, MD 21401  
+1.410.573.1515

**Eddie Kilkeary III**  
ekilkeary@avprojets.com



1996 Gulfstream IVSP SN 1293 N429DD



SPECIFICATIONS ARE PROVIDED FOR INFORMATIONAL PURPOSES ONLY AND DO NOT CONSTITUTE REPRESENTATIONS OR WARRANTIES. THESE SPECIFICATIONS ARE SUBJECT TO BUYER'S INDEPENDENT VERIFICATION UPON INSPECTION.  
THE AIRCRAFT IS SUBJECT TO PRIOR SALE, LEASE AND/OR REMOVAL FROM THE MARKET WITHOUT PRIOR NOTICE. FEBRUARY 15, 2024 4:31 PM

**AVPROJETS.COM**  
info@avprojets.com

900 Bestgate Road Suite 412 Annapolis, MD 21401  
+1.410.573.1515

**Eddie Kilkeary III**  
ekilkeary@avprojets.com



1996 Gulfstream IVSP SN 1293 N429DD



SPECIFICATIONS ARE PROVIDED FOR INFORMATIONAL PURPOSES ONLY AND DO NOT CONSTITUTE REPRESENTATIONS OR WARRANTIES. THESE SPECIFICATIONS ARE SUBJECT TO BUYER'S INDEPENDENT VERIFICATION UPON INSPECTION.  
THE AIRCRAFT IS SUBJECT TO PRIOR SALE, LEASE AND/OR REMOVAL FROM THE MARKET WITHOUT PRIOR NOTICE. FEBRUARY 15, 2024 4:31 PM

**AVPROJETS.COM**  
info@avprojets.com

900 Bestgate Road Suite 412 Annapolis, MD 21401  
+1.410.573.1515

**Eddie Kilkeary III**  
ekilkeary@avprojets.com



1996 Gulfstream IVSP SN 1293 N429DD



SPECIFICATIONS ARE PROVIDED FOR INFORMATIONAL PURPOSES ONLY AND DO NOT CONSTITUTE REPRESENTATIONS OR WARRANTIES. THESE SPECIFICATIONS ARE SUBJECT TO BUYER'S INDEPENDENT VERIFICATION UPON INSPECTION.  
THE AIRCRAFT IS SUBJECT TO PRIOR SALE, LEASE AND/OR REMOVAL FROM THE MARKET WITHOUT PRIOR NOTICE. FEBRUARY 15, 2024 4:31 PM



1996 Gulfstream IVSP SN 1293 N429DD



SPECIFICATIONS ARE PROVIDED FOR INFORMATIONAL PURPOSES ONLY AND DO NOT CONSTITUTE REPRESENTATIONS OR WARRANTIES. THESE SPECIFICATIONS ARE SUBJECT TO BUYER'S INDEPENDENT VERIFICATION UPON INSPECTION.  
THE AIRCRAFT IS SUBJECT TO PRIOR SALE, LEASE AND/OR REMOVAL FROM THE MARKET WITHOUT PRIOR NOTICE. FEBRUARY 15, 2024 4:31 PM

**AVPROJETS.COM**  
info@avprojets.com

900 Bestgate Road Suite 412 Annapolis, MD 21401  
+1.410.573.1515

**Eddie Kilkeary III**  
ekilkeary@avprojets.com



1996 Gulfstream IVSP SN 1293 N429DD

---



SPECIFICATIONS ARE PROVIDED FOR INFORMATIONAL PURPOSES ONLY AND DO NOT CONSTITUTE REPRESENTATIONS OR WARRANTIES. THESE SPECIFICATIONS ARE SUBJECT TO BUYER'S INDEPENDENT VERIFICATION UPON INSPECTION.  
THE AIRCRAFT IS SUBJECT TO PRIOR SALE, LEASE AND/OR REMOVAL FROM THE MARKET WITHOUT PRIOR NOTICE. FEBRUARY 15, 2024 4:31 PM

**AVPROJETS.COM**  
info@avprojets.com

900 Bestgate Road Suite 412 Annapolis, MD 21401  
+1.410.573.1515

**Eddie Kilkeary III**  
ekilkeary@avprojets.com



1996 Gulfstream IVSP SN 1293 N429DD



SPECIFICATIONS ARE PROVIDED FOR INFORMATIONAL PURPOSES ONLY AND DO NOT CONSTITUTE REPRESENTATIONS OR WARRANTIES. THESE SPECIFICATIONS ARE SUBJECT TO BUYER'S INDEPENDENT VERIFICATION UPON INSPECTION.  
THE AIRCRAFT IS SUBJECT TO PRIOR SALE, LEASE AND/OR REMOVAL FROM THE MARKET WITHOUT PRIOR NOTICE. FEBRUARY 15, 2024 4:31 PM

**AVPROJETS.COM**  
info@avprojets.com

900 Bestgate Road Suite 412 Annapolis, MD 21401  
+1.410.573.1515

**Eddie Kilkeary III**  
ekilkeary@avprojets.com



1996 Gulfstream IVSP SN 1293 N429DD



SPECIFICATIONS ARE PROVIDED FOR INFORMATIONAL PURPOSES ONLY AND DO NOT CONSTITUTE REPRESENTATIONS OR WARRANTIES. THESE SPECIFICATIONS ARE SUBJECT TO BUYER'S INDEPENDENT VERIFICATION UPON INSPECTION.  
THE AIRCRAFT IS SUBJECT TO PRIOR SALE, LEASE AND/OR REMOVAL FROM THE MARKET WITHOUT PRIOR NOTICE. FEBRUARY 15, 2024 4:31 PM

**AVPROJETS.COM**  
info@avprojets.com

900 Bestgate Road Suite 412 Annapolis, MD 21401  
+1.410.573.1515

**Eddie Kilkeary III**  
ekilkeary@avprojets.com



1996 Gulfstream IVSP SN 1293 N429DD



SPECIFICATIONS ARE PROVIDED FOR INFORMATIONAL PURPOSES ONLY AND DO NOT CONSTITUTE REPRESENTATIONS OR WARRANTIES. THESE SPECIFICATIONS ARE SUBJECT TO BUYER'S INDEPENDENT VERIFICATION UPON INSPECTION.  
THE AIRCRAFT IS SUBJECT TO PRIOR SALE, LEASE AND/OR REMOVAL FROM THE MARKET WITHOUT PRIOR NOTICE. FEBRUARY 15, 2024 4:31 PM

**AVPROJETS.COM**  
info@avprojets.com

900 Bestgate Road Suite 412 Annapolis, MD 21401  
+1.410.573.1515

**Eddie Kilkeary III**  
ekilkeary@avprojets.com



1996 Gulfstream IVSP SN 1293 N429DD



SPECIFICATIONS ARE PROVIDED FOR INFORMATIONAL PURPOSES ONLY AND DO NOT CONSTITUTE REPRESENTATIONS OR WARRANTIES. THESE SPECIFICATIONS ARE SUBJECT TO BUYER'S INDEPENDENT VERIFICATION UPON INSPECTION. THE AIRCRAFT IS SUBJECT TO PRIOR SALE, LEASE AND/OR REMOVAL FROM THE MARKET WITHOUT PRIOR NOTICE. FEBRUARY 15, 2024 4:31 PM



1996 Gulfstream IVSP SN 1293 N429DD



SPECIFICATIONS ARE PROVIDED FOR INFORMATIONAL PURPOSES ONLY AND DO NOT CONSTITUTE REPRESENTATIONS OR WARRANTIES. THESE SPECIFICATIONS ARE SUBJECT TO BUYER'S INDEPENDENT VERIFICATION UPON INSPECTION. THE AIRCRAFT IS SUBJECT TO PRIOR SALE, LEASE AND/OR REMOVAL FROM THE MARKET WITHOUT PRIOR NOTICE. FEBRUARY 15, 2024 4:31 PM





**AVPRO** INC.

CELEBRATING OVER **30** YEARS OF EXCELLENCE

We perform for our clients, averaging two transactions a week.

We match aircraft to your specifications in a professional and timely manner, allowing you to concentrate on your business, leaving the important details of marketing, market research, negotiating and contracting to us.

Avpro offers aircraft financing advisory services. We have the expertise to navigate the appropriate structure, costs and terms to help you meet your objectives. We are ready to provide advice, analysis and sourcing of the lender best suited to meet your requirements.

SERVING CUSTOMERS  
AROUND THE GLOBE

**Talk to Us**

[info@avprojets.com](mailto:info@avprojets.com)

+1.410.573.1515

**Connect with Us**

