

2004 Citation ^{SN} 560-5370

Excel



AVPRO INC.
www.avprojets.com

MANAGING PARTNER

Chris Ellis
cellis@avprojets.com
+1.410.573.1515

2004 Citation Excel SN 5370 N421LT

Aircraft Listing Details:

Total Hours: 2700

Total Landings: 1987

Engines: Pratt & Whitney PW545A

#1

#2

Total Hours: 2700

2700

Engine Cycles: 1987

1987

Serial Numbers: PCE-DB0763

PCE-DB0760

APU: Honeywell 36-150

Total Hours: 1125

Aircraft Highlights:

- Two U.S. Owners Since New
- New Paint & Interior
- 200 Hours Since Hot Section
- L3 Wi-Fi
- APU Equipped
- RVSM Compliant

Avionics:

- Honeywell Primus 1000 Avionics
- Honeywell Primus 1000 IFCS/Autopilot/Flight Director
- Honeywell Primus 3-Tube EFIS
- Standby Flight Display
- Dual Honeywell RCZ-833 Comms
- Dual Honeywell RNZ-850 NAVs
- Dual Honeywell DM-850 DMEs
- Honeywell DF-850 ADF
- Dual Honeywell RM-850 RMUs
- Dual Honeywell XS-852B Mode S Transponders
- Universal UNS-1Esp FMS w/GPS (Provisions for a 2nd FMS)
- Honeywell Primus 880 Weather Radar w/Turbulence Detection
- Dual Honeywell Altitude Heading Reference System
- Dual Honeywell Radio Magnetic Indicator
- Honeywell AA-300 Radar Altimeter
- Honeywell KHF-950 HFs
- Honeywell Mark VIII EGPWS
- Honeywell TCAS II w/Change 7
- Fairchild FA2100 Cockpit Voice Recorder
- Artex C406-2 ELT w/Nav Interface

SPECIFICATIONS ARE PROVIDED FOR INFORMATIONAL PURPOSES ONLY AND DO NOT CONSTITUTE REPRESENTATIONS OR WARRANTIES. THESE SPECIFICATIONS ARE SUBJECT TO BUYER'S INDEPENDENT VERIFICATION UPON INSPECTION.
THE AIRCRAFT IS SUBJECT TO PRIOR SALE, LEASE AND/OR REMOVAL FROM THE MARKET WITHOUT PRIOR NOTICE. MAY 23, 2024 1:40 PM

2004 Citation Excel SN 5370 N421LT

Connectivity:

- L3 Wi-Fi
 - Aircell AST-3500 w/Dual Handsets
 - Fax/Data & Intercom
 - SATCOM
-

Features/Options:

- B&D Cabin Display
- Forward Bulkhead Monitor Thrust Reversers
- Single Point Refueling
- APU Hour Meter
- Angle of Attack System w/Indexer
- Universal Permanent Data Transfer Unity
- Dual Digital Engine Gauge Matrix
- Standby Mechanical HSI
- Cockpit Speaker Mute Switch
- Cockpit Assist Handle
- RS Landing Gear Handle
- Double Wide Pedestal
- 110V Outlet
- RS232 & RJ-11 Fax/Data Ports
- Pleated Window Shades
- Remote Cabin Temperature Control
- 76 cu. ft. Oxygen System
- Quick Donning Masks
- 80 cu. ft. Baggage Area
- Lead Acid Battery
- Electronic Engine Chip Detector
- Precise Flight Pulselite System
- Tail Flood Light

Inspection Status:

- All Major Maintenance c/w by Cessna, Milwaukee
 - Docs 1-13 c/w September 2010
-

Interior:

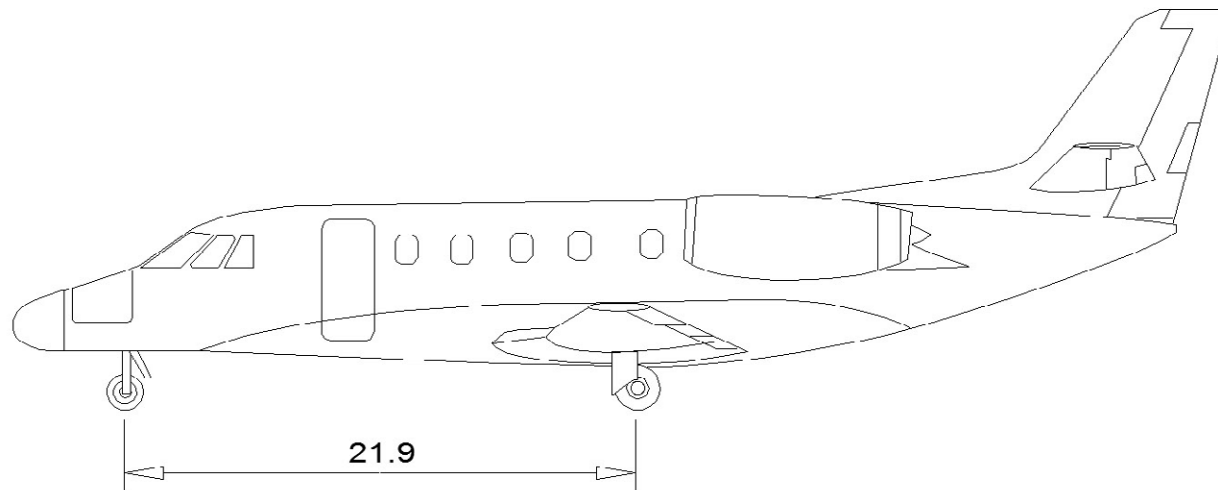
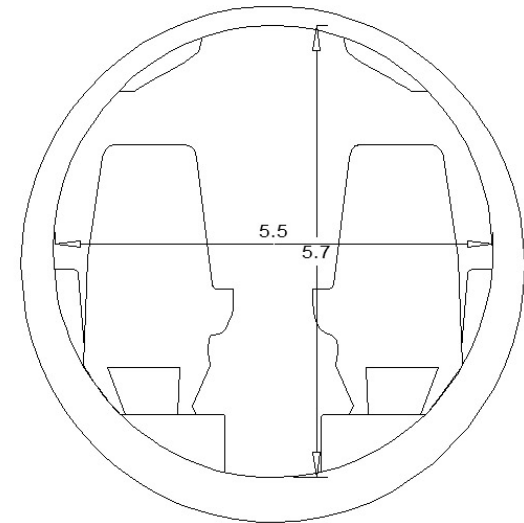
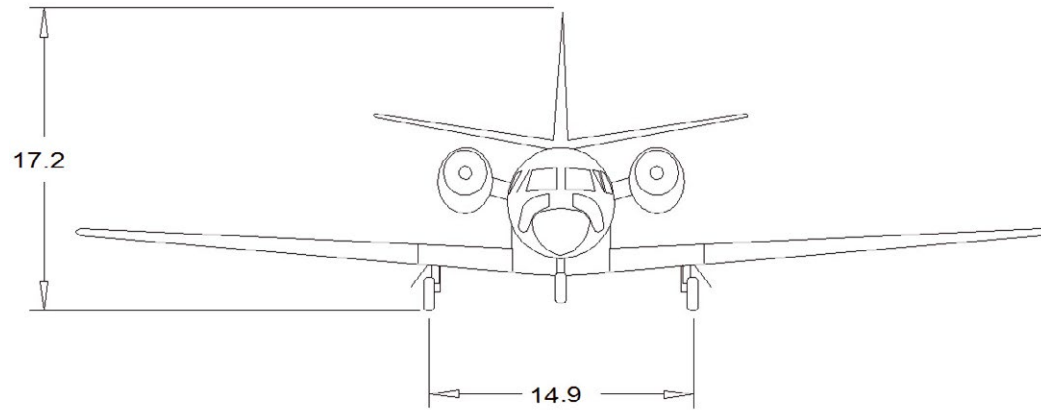
Nine (9) passenger interior, the forward cabin offers a Deluxe Refreshment Center opposite a two (2) place side facing divan followed by six (6) individual chairs which recline and swivel. All seating is completed in a Tan colored leather complimented medium high gloss cabinetry and Rose Gold colored plating. New style fully adjustable crew seats with reclining & lumbar support. Externally serviceable belted lavatory.

Exterior:

Overall White w/Red, Umber Gold & Dark Gray Accent Striping.

SPECIFICATIONS ARE PROVIDED FOR INFORMATIONAL PURPOSES ONLY AND DO NOT CONSTITUTE REPRESENTATIONS OR WARRANTIES. THESE SPECIFICATIONS ARE SUBJECT TO BUYER'S INDEPENDENT VERIFICATION UPON INSPECTION.
THE AIRCRAFT IS SUBJECT TO PRIOR SALE, LEASE AND/OR REMOVAL FROM THE MARKET WITHOUT PRIOR NOTICE. MAY 23, 2024 1:40 PM

2004 Citation Excel SN 5370 N421LT



SPECIFICATIONS ARE PROVIDED FOR INFORMATIONAL PURPOSES ONLY AND DO NOT CONSTITUTE REPRESENTATIONS OR WARRANTIES. THESE SPECIFICATIONS ARE SUBJECT TO BUYER'S INDEPENDENT VERIFICATION UPON INSPECTION.
THE AIRCRAFT IS SUBJECT TO PRIOR SALE, LEASE AND/OR REMOVAL FROM THE MARKET WITHOUT PRIOR NOTICE. MAY 23, 2024 1:40 PM

2004 Citation Excel SN 5370 N421LT



SPECIFICATIONS ARE PROVIDED FOR INFORMATIONAL PURPOSES ONLY AND DO NOT CONSTITUTE REPRESENTATIONS OR WARRANTIES. THESE SPECIFICATIONS ARE SUBJECT TO BUYER'S INDEPENDENT VERIFICATION UPON INSPECTION.
THE AIRCRAFT IS SUBJECT TO PRIOR SALE, LEASE AND/OR REMOVAL FROM THE MARKET WITHOUT PRIOR NOTICE. MAY 23, 2024 1:40 PM

AVPROJETS.COM
info@avprojets.com

900 Bestgate Road Suite 412 Annapolis, MD 21401
+1.410.573.1515

Chris Ellis
cellis@avprojets.com

2004 Citation Excel SN 5370 N421LT



SPECIFICATIONS ARE PROVIDED FOR INFORMATIONAL PURPOSES ONLY AND DO NOT CONSTITUTE REPRESENTATIONS OR WARRANTIES. THESE SPECIFICATIONS ARE SUBJECT TO BUYER'S INDEPENDENT VERIFICATION UPON INSPECTION.
THE AIRCRAFT IS SUBJECT TO PRIOR SALE, LEASE AND/OR REMOVAL FROM THE MARKET WITHOUT PRIOR NOTICE. MAY 23, 2024 1:40 PM

AVPROJETS.COM
info@avprojets.com

900 Bestgate Road Suite 412 Annapolis, MD 21401
+1.410.573.1515

Chris Ellis
cellis@avprojets.com

2004 Citation Excel SN 5370 N421LT



SPECIFICATIONS ARE PROVIDED FOR INFORMATIONAL PURPOSES ONLY AND DO NOT CONSTITUTE REPRESENTATIONS OR WARRANTIES. THESE SPECIFICATIONS ARE SUBJECT TO BUYER'S INDEPENDENT VERIFICATION UPON INSPECTION.
THE AIRCRAFT IS SUBJECT TO PRIOR SALE, LEASE AND/OR REMOVAL FROM THE MARKET WITHOUT PRIOR NOTICE. MAY 23, 2024 1:40 PM

AVPROJETS.COM
info@avprojets.com

900 Bestgate Road Suite 412 Annapolis, MD 21401
+1.410.573.1515

Chris Ellis
cellis@avprojets.com

2004 Citation Excel SN 5370 N421LT



SPECIFICATIONS ARE PROVIDED FOR INFORMATIONAL PURPOSES ONLY AND DO NOT CONSTITUTE REPRESENTATIONS OR WARRANTIES. THESE SPECIFICATIONS ARE SUBJECT TO BUYER'S INDEPENDENT VERIFICATION UPON INSPECTION.
THE AIRCRAFT IS SUBJECT TO PRIOR SALE, LEASE AND/OR REMOVAL FROM THE MARKET WITHOUT PRIOR NOTICE. MAY 23, 2024 1:40 PM

AVPROJETS.COM
info@avprojets.com

900 Bestgate Road Suite 412 Annapolis, MD 21401
+1.410.573.1515

Chris Ellis
cellis@avprojets.com

2004 Citation Excel SN 5370 N421LT



SPECIFICATIONS ARE PROVIDED FOR INFORMATIONAL PURPOSES ONLY AND DO NOT CONSTITUTE REPRESENTATIONS OR WARRANTIES. THESE SPECIFICATIONS ARE SUBJECT TO BUYER'S INDEPENDENT VERIFICATION UPON INSPECTION.
THE AIRCRAFT IS SUBJECT TO PRIOR SALE, LEASE AND/OR REMOVAL FROM THE MARKET WITHOUT PRIOR NOTICE. MAY 23, 2024 1:40 PM

AVPROJETS.COM
info@avprojets.com

900 Bestgate Road Suite 412 Annapolis, MD 21401
+1.410.573.1515

Chris Ellis
cellis@avprojets.com

2004 Citation Excel SN 5370 N421LT



SPECIFICATIONS ARE PROVIDED FOR INFORMATIONAL PURPOSES ONLY AND DO NOT CONSTITUTE REPRESENTATIONS OR WARRANTIES. THESE SPECIFICATIONS ARE SUBJECT TO BUYER'S INDEPENDENT VERIFICATION UPON INSPECTION.
THE AIRCRAFT IS SUBJECT TO PRIOR SALE, LEASE AND/OR REMOVAL FROM THE MARKET WITHOUT PRIOR NOTICE. MAY 23, 2024 1:40 PM

AVPROJETS.COM
info@avprojets.com

900 Bestgate Road Suite 412 Annapolis, MD 21401
+1.410.573.1515

Chris Ellis
cellis@avprojets.com

2004 Citation Excel SN 5370 N421LT



SPECIFICATIONS ARE PROVIDED FOR INFORMATIONAL PURPOSES ONLY AND DO NOT CONSTITUTE REPRESENTATIONS OR WARRANTIES. THESE SPECIFICATIONS ARE SUBJECT TO BUYER'S INDEPENDENT VERIFICATION UPON INSPECTION.
THE AIRCRAFT IS SUBJECT TO PRIOR SALE, LEASE AND/OR REMOVAL FROM THE MARKET WITHOUT PRIOR NOTICE. MAY 23, 2024 1:40 PM

AVPROJETS.COM
info@avprojets.com

900 Bestgate Road Suite 412 Annapolis, MD 21401
+1.410.573.1515

Chris Ellis
cellis@avprojets.com

2004 Citation Excel SN 5370 N421LT



SPECIFICATIONS ARE PROVIDED FOR INFORMATIONAL PURPOSES ONLY AND DO NOT CONSTITUTE REPRESENTATIONS OR WARRANTIES. THESE SPECIFICATIONS ARE SUBJECT TO BUYER'S INDEPENDENT VERIFICATION UPON INSPECTION.
THE AIRCRAFT IS SUBJECT TO PRIOR SALE, LEASE AND/OR REMOVAL FROM THE MARKET WITHOUT PRIOR NOTICE. MAY 23, 2024 1:40 PM

AVPROJETS.COM
info@avprojets.com

900 Bestgate Road Suite 412 Annapolis, MD 21401
+1.410.573.1515

Chris Ellis
cellis@avprojets.com

2004 Citation Excel SN 5370 N421LT



SPECIFICATIONS ARE PROVIDED FOR INFORMATIONAL PURPOSES ONLY AND DO NOT CONSTITUTE REPRESENTATIONS OR WARRANTIES. THESE SPECIFICATIONS ARE SUBJECT TO BUYER'S INDEPENDENT VERIFICATION UPON INSPECTION.
THE AIRCRAFT IS SUBJECT TO PRIOR SALE, LEASE AND/OR REMOVAL FROM THE MARKET WITHOUT PRIOR NOTICE. MAY 23, 2024 1:40 PM

AVPROJETS.COM
info@avprojets.com

900 Bestgate Road Suite 412 Annapolis, MD 21401
+1.410.573.1515

Chris Ellis
cellis@avprojets.com

2004 Citation Excel SN 5370 N421LT



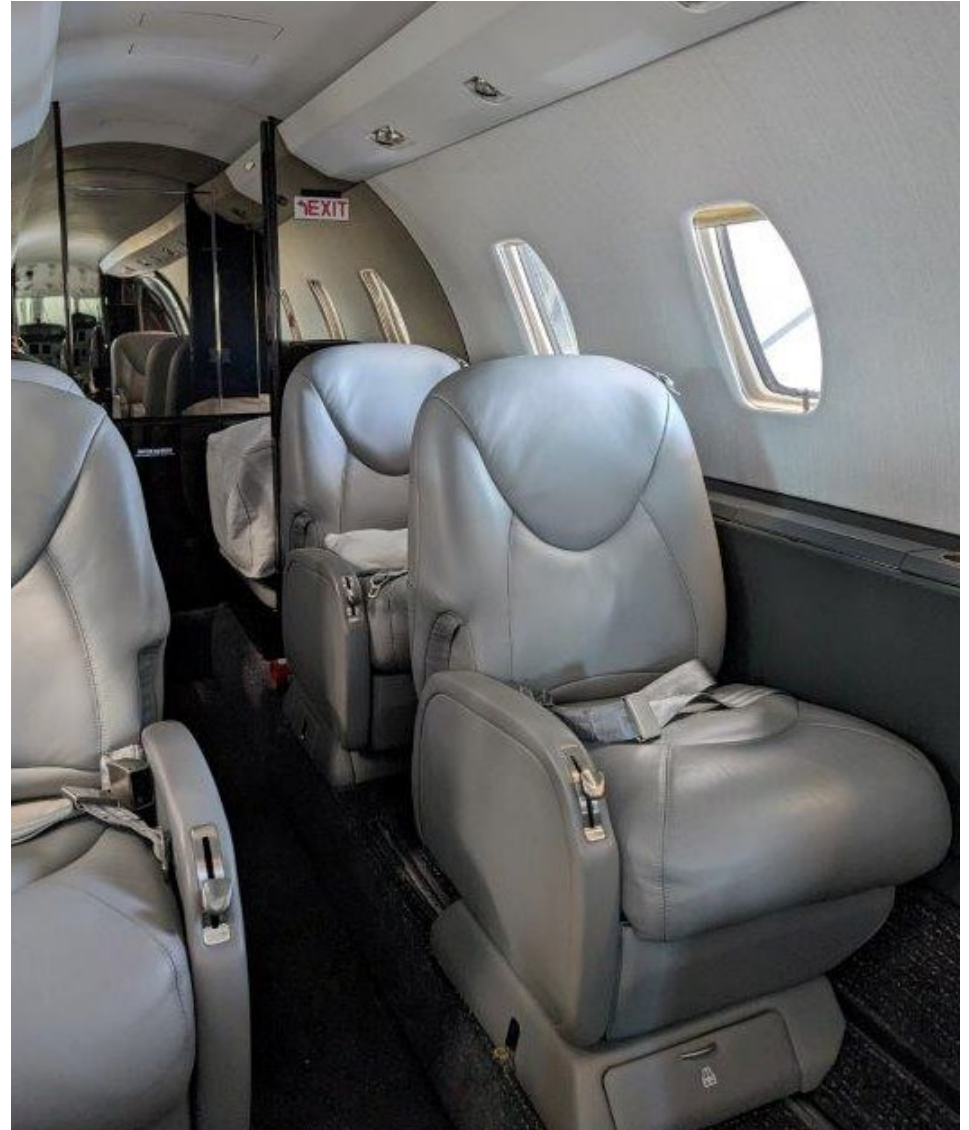
SPECIFICATIONS ARE PROVIDED FOR INFORMATIONAL PURPOSES ONLY AND DO NOT CONSTITUTE REPRESENTATIONS OR WARRANTIES. THESE SPECIFICATIONS ARE SUBJECT TO BUYER'S INDEPENDENT VERIFICATION UPON INSPECTION.
THE AIRCRAFT IS SUBJECT TO PRIOR SALE, LEASE AND/OR REMOVAL FROM THE MARKET WITHOUT PRIOR NOTICE. MAY 23, 2024 1:40 PM

AVPROJETS.COM
info@avprojets.com

900 Bestgate Road Suite 412 Annapolis, MD 21401
+1.410.573.1515

Chris Ellis
cellis@avprojets.com

2004 Citation Excel SN 5370 N421LT



SPECIFICATIONS ARE PROVIDED FOR INFORMATIONAL PURPOSES ONLY AND DO NOT CONSTITUTE REPRESENTATIONS OR WARRANTIES. THESE SPECIFICATIONS ARE SUBJECT TO BUYER'S INDEPENDENT VERIFICATION UPON INSPECTION.
THE AIRCRAFT IS SUBJECT TO PRIOR SALE, LEASE AND/OR REMOVAL FROM THE MARKET WITHOUT PRIOR NOTICE. MAY 23, 2024 1:40 PM

AVPROJETS.COM
info@avprojets.com

900 Bestgate Road Suite 412 Annapolis, MD 21401
+1.410.573.1515

Chris Ellis
cellis@avprojets.com

2004 Citation Excel SN 5370 N421LT



SPECIFICATIONS ARE PROVIDED FOR INFORMATIONAL PURPOSES ONLY AND DO NOT CONSTITUTE REPRESENTATIONS OR WARRANTIES. THESE SPECIFICATIONS ARE SUBJECT TO BUYER'S INDEPENDENT VERIFICATION UPON INSPECTION.
THE AIRCRAFT IS SUBJECT TO PRIOR SALE, LEASE AND/OR REMOVAL FROM THE MARKET WITHOUT PRIOR NOTICE. MAY 23, 2024 1:40 PM

AVPROJETS.COM
info@avprojets.com

900 Bestgate Road Suite 412 Annapolis, MD 21401
+1.410.573.1515

Chris Ellis
cellis@avprojets.com

2004 Citation Excel SN 5370 N421LT



SPECIFICATIONS ARE PROVIDED FOR INFORMATIONAL PURPOSES ONLY AND DO NOT CONSTITUTE REPRESENTATIONS OR WARRANTIES. THESE SPECIFICATIONS ARE SUBJECT TO BUYER'S INDEPENDENT VERIFICATION UPON INSPECTION.
THE AIRCRAFT IS SUBJECT TO PRIOR SALE, LEASE AND/OR REMOVAL FROM THE MARKET WITHOUT PRIOR NOTICE. MAY 23, 2024 1:40 PM

AVPROJETS.COM
info@avprojets.com

900 Bestgate Road Suite 412 Annapolis, MD 21401
+1.410.573.1515

Chris Ellis
cellis@avprojets.com



AVPRO_{INC.}

CELEBRATING OVER **30** YEARS OF EXCELLENCE

We perform for our clients, averaging two transactions a week.

We match aircraft to your specifications in a professional and timely manner, allowing you to concentrate on your business, leaving the important details of marketing, market research, negotiating and contracting to us.

Avpro offers aircraft financing advisory services. We have the expertise to navigate the appropriate structure, costs and terms to help you meet your objectives. We are ready to provide advice, analysis and sourcing of the lender best suited to meet your requirements.

SERVING CUSTOMERS
AROUND THE GLOBE

Talk to Us

info@avprojets.com

+1.410.573.1515

Connect with Us

