

2012 Gulfstream ^{SN} 4257

G450



CLICK TO VIEW
VIRTUAL TOUR



CLICK TO VIEW
VIDEO



AVPRO INC.
www.avprojets.com

EXECUTIVE SALES DIRECTOR

Darin Howell
dhowell@avprojets.com
+1.410.573.1515

2012 Gulfstream G450 SN 4257 N825SS

Aircraft Listing Details:

Total Hours: 3212
Total Landings: 1593

Engines: Rolls Royce TAY MK 611-8C

	#1	#2
Total Hours:	3173	3173
Engine Cycles:	1577	1577
Serial Numbers:	85519	85520

APU: Honeywell GTCP36-150 (GIV)

Total Hours: 3618
Serial Number: P-373

Aircraft Highlights:

- One Corporate Owner Since New
- 12/24/36/48/72/144 Mo. Inspections (*Scheduled Gulfstream-SAV*)
- 96 Month Inspection c/w 2020
- Aircell Gogo Biz Inflight Internet
- PlaneView XM Weather
- PlaneView Enhanced Navigation
- Engines on Rolls Royce Corporate Care Enhanced
- APU on Honeywell MSP Gold
- Enrolled on MSP Avionics & Mechanical

Avionics:

- PlaneView Operating System (ASC 912C)
- PlaneView Communication Management Function (CMF)
- Honeywell GP-500 Flight Guidance Panel
- Four (4) Honeywell DU-1310 Flat Panel Display Units
- Dual Honeywell DC-884 Display Controllers
- Honeywell DP-884 Display Brightness Panel
- Honeywell/Kollsman Visual Guidance System (VGS)
- Synthetic Vision-Primary Flight Display-Version 2.0
- Emergency Vision Assurance System (EVAS)
- Triple Honeywell MAU-903 Modular Avionics Units
- Dual Honeywell MRC-855A Modular Radio Cabinets
- Triple Honeywell MC-850 Multifunction Control Display Units
- Triple Honeywell AZ-200 Air Data Modules
- Triple Honeywell AV-900 Audio Panels
- Honeywell MT-860 Third Nav/Comm Cabinet
- PlaneView XM Weather
- Honeywell WU-880 WX Radar Receiver/Transmitter Antenna
- Dual Honeywell WC-884 Weather Radar Controllers
- Honeywell LSZ-860 Lightning Detection/Sensor System
- Triple Honeywell NZ-2000 Flight Management System (FMS)
- Triple Honeywell IR-500 LASEREF V Micro Inertial Reference Units
- Dual Honeywell RT-300 Radio Altimeters
- L3 Cockpit Voice Recorder
- L3 Digital Flight Data Recorder (88 Parameters)
- L3 EBDI-4000 Radio Magnetic Indicator
- L3 Magnetometer
- L3 GH-3100 Standby Attitude/Airspeed/Altitude Indicator
- L3 RT-951 TCAS 2000
- Dual Mason Cursor Control Devices
- Micro Quick Access Recorder ASC 046

SPECIFICATIONS ARE PROVIDED FOR INFORMATIONAL PURPOSES ONLY AND DO NOT CONSTITUTE REPRESENTATIONS OR WARRANTIES. THESE SPECIFICATIONS ARE SUBJECT TO BUYER'S INDEPENDENT VERIFICATION UPON INSPECTION.
THE AIRCRAFT IS SUBJECT TO PRIOR SALE, LEASE AND/OR REMOVAL FROM THE MARKET WITHOUT PRIOR NOTICE. MAY 28, 2024 6:07 PM

2012 Gulfstream G450 SN 4257 N825SS

Connectivity:

- Aircell Gogo Biz Inflight Internet
 - Aircell Iridium Handsets (Two (2) Wired & Three (3) Wireless)
 - Honeywell Swift Broadband HD-710 High-Speed Data
 - Honeywell MCS 7000+ SATCOM
 - Chelton SATCOM Antenna
 - Wireless LAN
-

Entertainment:

- DirecTV
 - Satellite TV
 - Airshow 4000 V2
 - Gulfstream Audio/Video Distribution System (AVDS)
 - Honeywell AIS-2000 Multi-Region Airborne Information System (AIS)
 - 2-Way Cabin Remote for Rockwell Collins CMS
 - Rosen Dual Blu-ray Players
 - One (1) 19" Rosen Widescreen HD LCD Forward & Aft Monitors
 - One (1) 24" Rosen Widescreen HD LCD Monitor (Credenza)
 - One (1) 8.4" SD Galley Touch Screen
 - Eight (8) 9" Widescreen LCD Monitor (Inboard Armrest of All Single Seats)
-

Maintenance Programs:

- Engines on Rolls Royce Enhanced
- APU on Honeywell MSP Gold
- Enrolled on MSP Avionics
- Enrolled on MSP Mechanical

Inspection Status:

- 96 Month Inspection c/w 2020
- Engine Midlife c/w September 2023

Scheduled August 2024 @ Gulfstream Savannah

- o 12/24/36/48/72/144 Month Inspections
 - o 500 Hour Airframe & Engine Inspections
 - o Gulfstream Aircraft Records Verification
 - o Life Raft OH (Next Due 2027)
 - o Engine Fire Extinguishers (Hydro Test July 2024)
 - o Cockpit Side Windows
 - o Lower & Upper Antenna & Penetration Interface Inspections
-

Navigation Compliance:

- PlaneView Enhanced Navigation
 - Synthetic Vision-Primary Flight Display-Version 2.0
 - Enhanced Vision Assurance System (EVAS)
 - Part 135 Compliance
 - FANS-1A
 - ADS-B Out
 - RAAS
-

Weights:

Max Gross Landing 66,000 lbs. or 58,500 lbs. w/Included ASC 007
Max Zero Fuel Gross to 48,000 lbs.

SPECIFICATIONS ARE PROVIDED FOR INFORMATIONAL PURPOSES ONLY AND DO NOT CONSTITUTE REPRESENTATIONS OR WARRANTIES. THESE SPECIFICATIONS ARE SUBJECT TO BUYER'S INDEPENDENT VERIFICATION UPON INSPECTION.
THE AIRCRAFT IS SUBJECT TO PRIOR SALE, LEASE AND/OR REMOVAL FROM THE MARKET WITHOUT PRIOR NOTICE. MAY 30, 2024 1:01 PM

2012 Gulfstream G450 SN 4257 N825SS

Features/Options:

- **New** Windshields (Left & Right) September 2023
- Securaplane External Camera System w/Three (3) Cameras
- Remote Cabin Temperature Control
- ATG Electric Window Shades
- Enhanced Soundproofing
- Dual Davtron Clocks
- Data Link Recording
- Thirty (30) Gallon Pressurized Water System
- 123 cu. ft. Oxygen System
- Therapeutic Oxygen
- Quartz Polymer Countertops
- Sharp Microwave Oven
- TIA Coffee Maker
- Aerolux Espresso Machine
- Maintenance Storage Box to 100 lb. Capacity
- Tempus IC Telemedicine Unit
- Brother Plain Paper Multi-Function Printer
- Miltope Cockpit Printer
- Dual 60 Hz Converter w/Manual Switch (Cockpit Pedestal)
- 115V/60HZ Outlets

Interior:

(2019 Soft Good Refurbishment by Gulfstream-SAV)

Beautifully appointed twelve (12) passenger aft galley configuration featuring enhanced soundproofing.

The forward cabin offers a four (4) place club followed by a mid-cabin two (2) place club opposite a credenza featuring a 24" Rosen HD LCD monitor. The aft cabin offers a two (2) place club opposite a four (4) place divan.

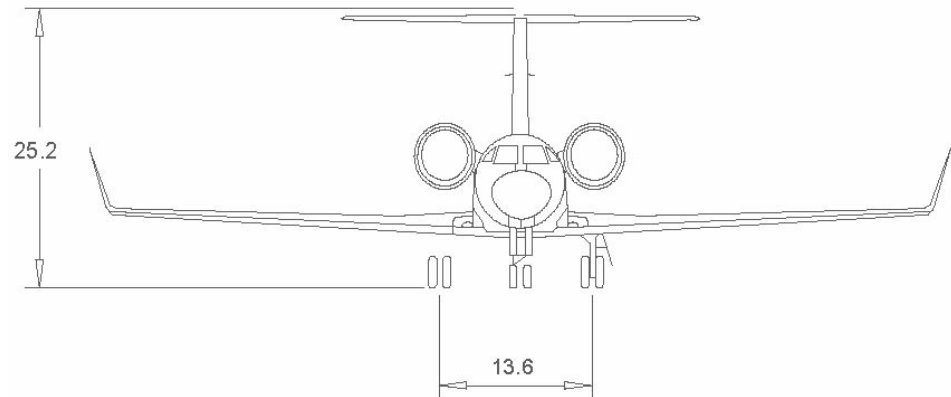
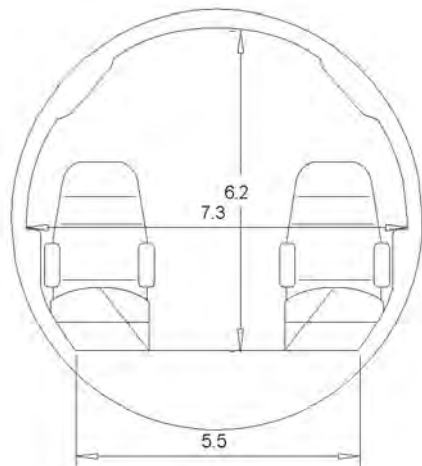
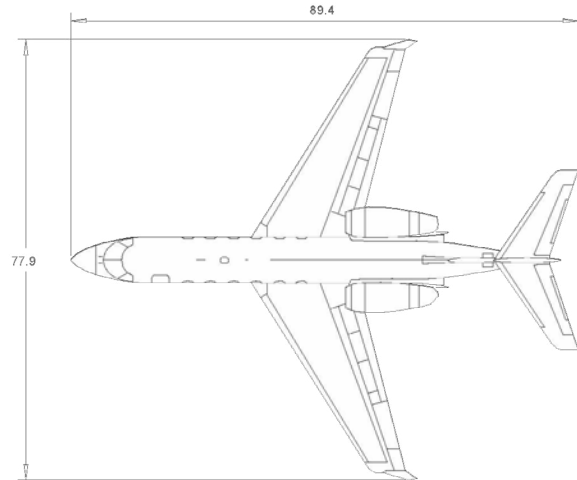
All single seats offer recliner leg rests and electric lumber.

Exterior:

Overall White with Custom Dark Blue & Red Accent Striping.

SPECIFICATIONS ARE PROVIDED FOR INFORMATIONAL PURPOSES ONLY AND DO NOT CONSTITUTE REPRESENTATIONS OR WARRANTIES. THESE SPECIFICATIONS ARE SUBJECT TO BUYER'S INDEPENDENT VERIFICATION UPON INSPECTION.
THE AIRCRAFT IS SUBJECT TO PRIOR SALE, LEASE AND/OR REMOVAL FROM THE MARKET WITHOUT PRIOR NOTICE. MAY 28, 2024 6:07 PM

2012 Gulfstream G450 SN 4257 N825SS



SPECIFICATIONS ARE PROVIDED FOR INFORMATIONAL PURPOSES ONLY AND DO NOT CONSTITUTE REPRESENTATIONS OR WARRANTIES. THESE SPECIFICATIONS ARE SUBJECT TO BUYER'S INDEPENDENT VERIFICATION UPON INSPECTION. THE AIRCRAFT IS SUBJECT TO PRIOR SALE, LEASE AND/OR REMOVAL FROM THE MARKET WITHOUT PRIOR NOTICE. MAY 28, 2024 11:01 AM

2012 Gulfstream G450 SN 4257 N825SS



SPECIFICATIONS ARE PROVIDED FOR INFORMATIONAL PURPOSES ONLY AND DO NOT CONSTITUTE REPRESENTATIONS OR WARRANTIES. THESE SPECIFICATIONS ARE SUBJECT TO BUYER'S INDEPENDENT VERIFICATION UPON INSPECTION.
THE AIRCRAFT IS SUBJECT TO PRIOR SALE, LEASE AND/OR REMOVAL FROM THE MARKET WITHOUT PRIOR NOTICE. MAY 28, 2024 11:01 AM

AVPROJETS.COM
info@avprojets.com

900 Bestgate Road Suite 412 Annapolis, MD 21401
+1.410.573.1515

Darin Howell
dhowell@avprojets.com

2012 Gulfstream G450 SN 4257 N825SS



SPECIFICATIONS ARE PROVIDED FOR INFORMATIONAL PURPOSES ONLY AND DO NOT CONSTITUTE REPRESENTATIONS OR WARRANTIES. THESE SPECIFICATIONS ARE SUBJECT TO BUYER'S INDEPENDENT VERIFICATION UPON INSPECTION.
THE AIRCRAFT IS SUBJECT TO PRIOR SALE, LEASE AND/OR REMOVAL FROM THE MARKET WITHOUT PRIOR NOTICE. MAY 28, 2024 11:01 AM

AVPROJETS.COM
info@avprojets.com

900 Bestgate Road Suite 412 Annapolis, MD 21401
+1.410.573.1515

Darin Howell
dhowell@avprojets.com

2012 Gulfstream G450 SN 4257 N825SS



SPECIFICATIONS ARE PROVIDED FOR INFORMATIONAL PURPOSES ONLY AND DO NOT CONSTITUTE REPRESENTATIONS OR WARRANTIES. THESE SPECIFICATIONS ARE SUBJECT TO BUYER'S INDEPENDENT VERIFICATION UPON INSPECTION.
THE AIRCRAFT IS SUBJECT TO PRIOR SALE, LEASE AND/OR REMOVAL FROM THE MARKET WITHOUT PRIOR NOTICE. MAY 28, 2024 11:01 AM

AVPROJETS.COM
info@avprojets.com

900 Bestgate Road Suite 412 Annapolis, MD 21401
+1.410.573.1515

Darin Howell
dhowell@avprojets.com

2012 Gulfstream G450 SN 4257 N825SS



SPECIFICATIONS ARE PROVIDED FOR INFORMATIONAL PURPOSES ONLY AND DO NOT CONSTITUTE REPRESENTATIONS OR WARRANTIES. THESE SPECIFICATIONS ARE SUBJECT TO BUYER'S INDEPENDENT VERIFICATION UPON INSPECTION.
THE AIRCRAFT IS SUBJECT TO PRIOR SALE, LEASE AND/OR REMOVAL FROM THE MARKET WITHOUT PRIOR NOTICE. MAY 28, 2024 11:01 AM

AVPROJETS.COM
info@avprojets.com

900 Bestgate Road Suite 412 Annapolis, MD 21401
+1.410.573.1515

Darin Howell
dhowell@avprojets.com

2012 Gulfstream G450 SN 4257 N825SS



SPECIFICATIONS ARE PROVIDED FOR INFORMATIONAL PURPOSES ONLY AND DO NOT CONSTITUTE REPRESENTATIONS OR WARRANTIES. THESE SPECIFICATIONS ARE SUBJECT TO BUYER'S INDEPENDENT VERIFICATION UPON INSPECTION.
THE AIRCRAFT IS SUBJECT TO PRIOR SALE, LEASE AND/OR REMOVAL FROM THE MARKET WITHOUT PRIOR NOTICE. MAY 28, 2024 11:01 AM

AVPROJETS.COM
info@avprojets.com

900 Bestgate Road Suite 412 Annapolis, MD 21401
+1.410.573.1515

Darin Howell
dhowell@avprojets.com

2012 Gulfstream G450 SN 4257 N825SS



SPECIFICATIONS ARE PROVIDED FOR INFORMATIONAL PURPOSES ONLY AND DO NOT CONSTITUTE REPRESENTATIONS OR WARRANTIES. THESE SPECIFICATIONS ARE SUBJECT TO BUYER'S INDEPENDENT VERIFICATION UPON INSPECTION.
THE AIRCRAFT IS SUBJECT TO PRIOR SALE, LEASE AND/OR REMOVAL FROM THE MARKET WITHOUT PRIOR NOTICE. MAY 28, 2024 11:01 AM

AVPROJETS.COM
info@avprojets.com

900 Bestgate Road Suite 412 Annapolis, MD 21401
+1.410.573.1515

Darin Howell
dhowell@avprojets.com

2012 Gulfstream G450 SN 4257 N825SS



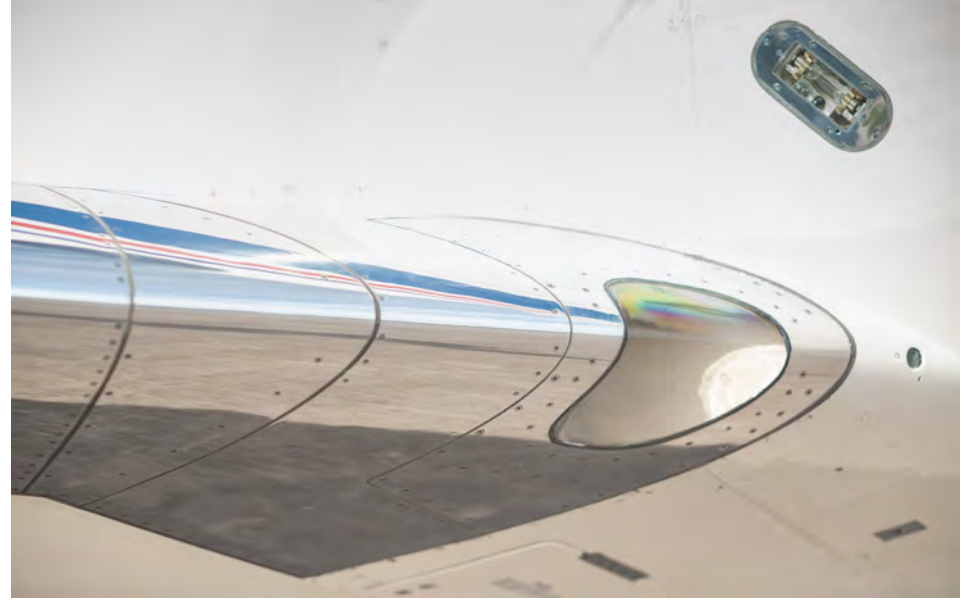
SPECIFICATIONS ARE PROVIDED FOR INFORMATIONAL PURPOSES ONLY AND DO NOT CONSTITUTE REPRESENTATIONS OR WARRANTIES. THESE SPECIFICATIONS ARE SUBJECT TO BUYER'S INDEPENDENT VERIFICATION UPON INSPECTION.
THE AIRCRAFT IS SUBJECT TO PRIOR SALE, LEASE AND/OR REMOVAL FROM THE MARKET WITHOUT PRIOR NOTICE. MAY 28, 2024 11:01 AM

AVPROJETS.COM
info@avprojets.com

900 Bestgate Road Suite 412 Annapolis, MD 21401
+1.410.573.1515

Darin Howell
dhowell@avprojets.com

2012 Gulfstream G450 SN 4257 N825SS



SPECIFICATIONS ARE PROVIDED FOR INFORMATIONAL PURPOSES ONLY AND DO NOT CONSTITUTE REPRESENTATIONS OR WARRANTIES. THESE SPECIFICATIONS ARE SUBJECT TO BUYER'S INDEPENDENT VERIFICATION UPON INSPECTION.
THE AIRCRAFT IS SUBJECT TO PRIOR SALE, LEASE AND/OR REMOVAL FROM THE MARKET WITHOUT PRIOR NOTICE. MAY 28, 2024 11:01 AM

AVPROJETS.COM
info@avprojets.com

900 Bestgate Road Suite 412 Annapolis, MD 21401
+1.410.573.1515

Darin Howell
dhowell@avprojets.com

2012 Gulfstream G450 SN 4257 N825SS



SPECIFICATIONS ARE PROVIDED FOR INFORMATIONAL PURPOSES ONLY AND DO NOT CONSTITUTE REPRESENTATIONS OR WARRANTIES. THESE SPECIFICATIONS ARE SUBJECT TO BUYER'S INDEPENDENT VERIFICATION UPON INSPECTION.
THE AIRCRAFT IS SUBJECT TO PRIOR SALE, LEASE AND/OR REMOVAL FROM THE MARKET WITHOUT PRIOR NOTICE. MAY 28, 2024 11:01 AM

AVPROJETS.COM
info@avprojets.com

900 Bestgate Road Suite 412 Annapolis, MD 21401
+1.410.573.1515

Darin Howell
dhowell@avprojets.com

2012 Gulfstream G450 SN 4257 N825SS



SPECIFICATIONS ARE PROVIDED FOR INFORMATIONAL PURPOSES ONLY AND DO NOT CONSTITUTE REPRESENTATIONS OR WARRANTIES. THESE SPECIFICATIONS ARE SUBJECT TO BUYER'S INDEPENDENT VERIFICATION UPON INSPECTION.
THE AIRCRAFT IS SUBJECT TO PRIOR SALE, LEASE AND/OR REMOVAL FROM THE MARKET WITHOUT PRIOR NOTICE. MAY 28, 2024 11:01 AM

AVPROJETS.COM
info@avprojets.com

900 Bestgate Road Suite 412 Annapolis, MD 21401
+1.410.573.1515

Darin Howell
dhowell@avprojets.com

2012 Gulfstream G450 SN 4257 N825SS



SPECIFICATIONS ARE PROVIDED FOR INFORMATIONAL PURPOSES ONLY AND DO NOT CONSTITUTE REPRESENTATIONS OR WARRANTIES. THESE SPECIFICATIONS ARE SUBJECT TO BUYER'S INDEPENDENT VERIFICATION UPON INSPECTION.
THE AIRCRAFT IS SUBJECT TO PRIOR SALE, LEASE AND/OR REMOVAL FROM THE MARKET WITHOUT PRIOR NOTICE. MAY 28, 2024 11:01 AM

AVPROJETS.COM
info@avprojets.com

900 Bestgate Road Suite 412 Annapolis, MD 21401
+1.410.573.1515

Darin Howell
dhowell@avprojets.com

2012 Gulfstream G450 SN 4257 N825SS



SPECIFICATIONS ARE PROVIDED FOR INFORMATIONAL PURPOSES ONLY AND DO NOT CONSTITUTE REPRESENTATIONS OR WARRANTIES. THESE SPECIFICATIONS ARE SUBJECT TO BUYER'S INDEPENDENT VERIFICATION UPON INSPECTION. THE AIRCRAFT IS SUBJECT TO PRIOR SALE, LEASE AND/OR REMOVAL FROM THE MARKET WITHOUT PRIOR NOTICE. MAY 28, 2024 11:01 AM

AVPROJETS.COM
info@avprojets.com

900 Bestgate Road Suite 412 Annapolis, MD 21401
+1.410.573.1515

Darin Howell
dhowell@avprojets.com

2012 Gulfstream G450 SN 4257 N825SS



SPECIFICATIONS ARE PROVIDED FOR INFORMATIONAL PURPOSES ONLY AND DO NOT CONSTITUTE REPRESENTATIONS OR WARRANTIES. THESE SPECIFICATIONS ARE SUBJECT TO BUYER'S INDEPENDENT VERIFICATION UPON INSPECTION.
THE AIRCRAFT IS SUBJECT TO PRIOR SALE, LEASE AND/OR REMOVAL FROM THE MARKET WITHOUT PRIOR NOTICE. MAY 28, 2024 11:01 AM

AVPROJETS.COM
info@avprojets.com

900 Bestgate Road Suite 412 Annapolis, MD 21401
+1.410.573.1515

Darin Howell
dhowell@avprojets.com

2012 Gulfstream G450 SN 4257 N825SS



SPECIFICATIONS ARE PROVIDED FOR INFORMATIONAL PURPOSES ONLY AND DO NOT CONSTITUTE REPRESENTATIONS OR WARRANTIES. THESE SPECIFICATIONS ARE SUBJECT TO BUYER'S INDEPENDENT VERIFICATION UPON INSPECTION.
THE AIRCRAFT IS SUBJECT TO PRIOR SALE, LEASE AND/OR REMOVAL FROM THE MARKET WITHOUT PRIOR NOTICE. MAY 28, 2024 11:01 AM

AVPROJETS.COM
info@avprojets.com

900 Bestgate Road Suite 412 Annapolis, MD 21401
+1.410.573.1515

Darin Howell
dhowell@avprojets.com

2012 Gulfstream G450 SN 4257 N825SS



SPECIFICATIONS ARE PROVIDED FOR INFORMATIONAL PURPOSES ONLY AND DO NOT CONSTITUTE REPRESENTATIONS OR WARRANTIES. THESE SPECIFICATIONS ARE SUBJECT TO BUYER'S INDEPENDENT VERIFICATION UPON INSPECTION.
THE AIRCRAFT IS SUBJECT TO PRIOR SALE, LEASE AND/OR REMOVAL FROM THE MARKET WITHOUT PRIOR NOTICE. MAY 28, 2024 11:01 AM

AVPROJETS.COM
info@avprojets.com

900 Bestgate Road Suite 412 Annapolis, MD 21401
+1.410.573.1515

Darin Howell
dhowell@avprojets.com

2012 Gulfstream G450 SN 4257 N825SS



SPECIFICATIONS ARE PROVIDED FOR INFORMATIONAL PURPOSES ONLY AND DO NOT CONSTITUTE REPRESENTATIONS OR WARRANTIES. THESE SPECIFICATIONS ARE SUBJECT TO BUYER'S INDEPENDENT VERIFICATION UPON INSPECTION.
THE AIRCRAFT IS SUBJECT TO PRIOR SALE, LEASE AND/OR REMOVAL FROM THE MARKET WITHOUT PRIOR NOTICE. MAY 28, 2024 11:01 AM

AVPROJETS.COM
info@avprojets.com

900 Bestgate Road Suite 412 Annapolis, MD 21401
+1.410.573.1515

Darin Howell
dhowell@avprojets.com

2012 Gulfstream G450 SN 4257 N825SS



SPECIFICATIONS ARE PROVIDED FOR INFORMATIONAL PURPOSES ONLY AND DO NOT CONSTITUTE REPRESENTATIONS OR WARRANTIES. THESE SPECIFICATIONS ARE SUBJECT TO BUYER'S INDEPENDENT VERIFICATION UPON INSPECTION.
THE AIRCRAFT IS SUBJECT TO PRIOR SALE, LEASE AND/OR REMOVAL FROM THE MARKET WITHOUT PRIOR NOTICE. MAY 28, 2024 11:01 AM

AVPROJETS.COM
info@avprojets.com

900 Bestgate Road Suite 412 Annapolis, MD 21401
+1.410.573.1515

Darin Howell
dhowell@avprojets.com

2012 Gulfstream G450 SN 4257 N825SS



SPECIFICATIONS ARE PROVIDED FOR INFORMATIONAL PURPOSES ONLY AND DO NOT CONSTITUTE REPRESENTATIONS OR WARRANTIES. THESE SPECIFICATIONS ARE SUBJECT TO BUYER'S INDEPENDENT VERIFICATION UPON INSPECTION.
THE AIRCRAFT IS SUBJECT TO PRIOR SALE, LEASE AND/OR REMOVAL FROM THE MARKET WITHOUT PRIOR NOTICE. MAY 28, 2024 11:01 AM

AVPROJETS.COM
info@avprojets.com

900 Bestgate Road Suite 412 Annapolis, MD 21401
+1.410.573.1515

Darin Howell
dhowell@avprojets.com

2012 Gulfstream G450 SN 4257 N825SS



SPECIFICATIONS ARE PROVIDED FOR INFORMATIONAL PURPOSES ONLY AND DO NOT CONSTITUTE REPRESENTATIONS OR WARRANTIES. THESE SPECIFICATIONS ARE SUBJECT TO BUYER'S INDEPENDENT VERIFICATION UPON INSPECTION.
THE AIRCRAFT IS SUBJECT TO PRIOR SALE, LEASE AND/OR REMOVAL FROM THE MARKET WITHOUT PRIOR NOTICE. MAY 28, 2024 11:01 AM

AVPROJETS.COM
info@avprojets.com

900 Bestgate Road Suite 412 Annapolis, MD 21401
+1.410.573.1515

Darin Howell
dhowell@avprojets.com

2012 Gulfstream G450 SN 4257 N825SS



SPECIFICATIONS ARE PROVIDED FOR INFORMATIONAL PURPOSES ONLY AND DO NOT CONSTITUTE REPRESENTATIONS OR WARRANTIES. THESE SPECIFICATIONS ARE SUBJECT TO BUYER'S INDEPENDENT VERIFICATION UPON INSPECTION. THE AIRCRAFT IS SUBJECT TO PRIOR SALE, LEASE AND/OR REMOVAL FROM THE MARKET WITHOUT PRIOR NOTICE. MAY 28, 2024 11:01 AM

2012 Gulfstream G450 SN 4257 N825SS



SPECIFICATIONS ARE PROVIDED FOR INFORMATIONAL PURPOSES ONLY AND DO NOT CONSTITUTE REPRESENTATIONS OR WARRANTIES. THESE SPECIFICATIONS ARE SUBJECT TO BUYER'S INDEPENDENT VERIFICATION UPON INSPECTION.
THE AIRCRAFT IS SUBJECT TO PRIOR SALE, LEASE AND/OR REMOVAL FROM THE MARKET WITHOUT PRIOR NOTICE. MAY 28, 2024 11:01 AM

AVPROJETS.COM
info@avprojets.com

900 Bestgate Road Suite 412 Annapolis, MD 21401
+1.410.573.1515

Darin Howell
dhowell@avprojets.com

2012 Gulfstream G450 SN 4257 N825SS



SPECIFICATIONS ARE PROVIDED FOR INFORMATIONAL PURPOSES ONLY AND DO NOT CONSTITUTE REPRESENTATIONS OR WARRANTIES. THESE SPECIFICATIONS ARE SUBJECT TO BUYER'S INDEPENDENT VERIFICATION UPON INSPECTION.
THE AIRCRAFT IS SUBJECT TO PRIOR SALE, LEASE AND/OR REMOVAL FROM THE MARKET WITHOUT PRIOR NOTICE. MAY 28, 2024 11:01 AM

AVPROJETS.COM
info@avprojets.com

900 Bestgate Road Suite 412 Annapolis, MD 21401
+1.410.573.1515

Darin Howell
dhowell@avprojets.com

2012 Gulfstream G450 SN 4257 N825SS



SPECIFICATIONS ARE PROVIDED FOR INFORMATIONAL PURPOSES ONLY AND DO NOT CONSTITUTE REPRESENTATIONS OR WARRANTIES. THESE SPECIFICATIONS ARE SUBJECT TO BUYER'S INDEPENDENT VERIFICATION UPON INSPECTION. THE AIRCRAFT IS SUBJECT TO PRIOR SALE, LEASE AND/OR REMOVAL FROM THE MARKET WITHOUT PRIOR NOTICE. MAY 28, 2024 11:01 AM

2012 Gulfstream G450 SN 4257 N825SS



SPECIFICATIONS ARE PROVIDED FOR INFORMATIONAL PURPOSES ONLY AND DO NOT CONSTITUTE REPRESENTATIONS OR WARRANTIES. THESE SPECIFICATIONS ARE SUBJECT TO BUYER'S INDEPENDENT VERIFICATION UPON INSPECTION.
THE AIRCRAFT IS SUBJECT TO PRIOR SALE, LEASE AND/OR REMOVAL FROM THE MARKET WITHOUT PRIOR NOTICE. MAY 28, 2024 11:01 AM

AVPROJETS.COM
info@avprojets.com

900 Bestgate Road Suite 412 Annapolis, MD 21401
+1.410.573.1515

Darin Howell
dhowell@avprojets.com

2012 Gulfstream G450 SN 4257 N825SS



SPECIFICATIONS ARE PROVIDED FOR INFORMATIONAL PURPOSES ONLY AND DO NOT CONSTITUTE REPRESENTATIONS OR WARRANTIES. THESE SPECIFICATIONS ARE SUBJECT TO BUYER'S INDEPENDENT VERIFICATION UPON INSPECTION.
THE AIRCRAFT IS SUBJECT TO PRIOR SALE, LEASE AND/OR REMOVAL FROM THE MARKET WITHOUT PRIOR NOTICE. MAY 28, 2024 11:01 AM

AVPROJETS.COM
info@avprojets.com

900 Bestgate Road Suite 412 Annapolis, MD 21401
+1.410.573.1515

Darin Howell
dhowell@avprojets.com

2012 Gulfstream G450 SN 4257 N825SS



SPECIFICATIONS ARE PROVIDED FOR INFORMATIONAL PURPOSES ONLY AND DO NOT CONSTITUTE REPRESENTATIONS OR WARRANTIES. THESE SPECIFICATIONS ARE SUBJECT TO BUYER'S INDEPENDENT VERIFICATION UPON INSPECTION.
THE AIRCRAFT IS SUBJECT TO PRIOR SALE, LEASE AND/OR REMOVAL FROM THE MARKET WITHOUT PRIOR NOTICE. MAY 28, 2024 11:01 AM

AVPROJETS.COM
info@avprojets.com

900 Bestgate Road Suite 412 Annapolis, MD 21401
+1.410.573.1515

Darin Howell
dhowell@avprojets.com

2012 Gulfstream G450 SN 4257 N825SS



SPECIFICATIONS ARE PROVIDED FOR INFORMATIONAL PURPOSES ONLY AND DO NOT CONSTITUTE REPRESENTATIONS OR WARRANTIES. THESE SPECIFICATIONS ARE SUBJECT TO BUYER'S INDEPENDENT VERIFICATION UPON INSPECTION.
THE AIRCRAFT IS SUBJECT TO PRIOR SALE, LEASE AND/OR REMOVAL FROM THE MARKET WITHOUT PRIOR NOTICE. MAY 28, 2024 11:01 AM

AVPROJETS.COM
info@avprojets.com

900 Bestgate Road Suite 412 Annapolis, MD 21401
+1.410.573.1515

Darin Howell
dhowell@avprojets.com

2012 Gulfstream G450 SN 4257 N825SS



SPECIFICATIONS ARE PROVIDED FOR INFORMATIONAL PURPOSES ONLY AND DO NOT CONSTITUTE REPRESENTATIONS OR WARRANTIES. THESE SPECIFICATIONS ARE SUBJECT TO BUYER'S INDEPENDENT VERIFICATION UPON INSPECTION.
THE AIRCRAFT IS SUBJECT TO PRIOR SALE, LEASE AND/OR REMOVAL FROM THE MARKET WITHOUT PRIOR NOTICE. MAY 28, 2024 11:01 AM

AVPROJETS.COM
info@avprojets.com

900 Bestgate Road Suite 412 Annapolis, MD 21401
+1.410.573.1515

Darin Howell
dhowell@avprojets.com

2012 Gulfstream G450 SN 4257 N825SS



SPECIFICATIONS ARE PROVIDED FOR INFORMATIONAL PURPOSES ONLY AND DO NOT CONSTITUTE REPRESENTATIONS OR WARRANTIES. THESE SPECIFICATIONS ARE SUBJECT TO BUYER'S INDEPENDENT VERIFICATION UPON INSPECTION.
THE AIRCRAFT IS SUBJECT TO PRIOR SALE, LEASE AND/OR REMOVAL FROM THE MARKET WITHOUT PRIOR NOTICE. MAY 28, 2024 11:01 AM

AVPROJETS.COM
info@avprojets.com

900 Bestgate Road Suite 412 Annapolis, MD 21401
+1.410.573.1515

Darin Howell
dhowell@avprojets.com

2012 Gulfstream G450 SN 4257 N825SS



SPECIFICATIONS ARE PROVIDED FOR INFORMATIONAL PURPOSES ONLY AND DO NOT CONSTITUTE REPRESENTATIONS OR WARRANTIES. THESE SPECIFICATIONS ARE SUBJECT TO BUYER'S INDEPENDENT VERIFICATION UPON INSPECTION.
THE AIRCRAFT IS SUBJECT TO PRIOR SALE, LEASE AND/OR REMOVAL FROM THE MARKET WITHOUT PRIOR NOTICE. MAY 28, 2024 11:01 AM

AVPROJETS.COM
info@avprojets.com

900 Bestgate Road Suite 412 Annapolis, MD 21401
+1.410.573.1515

Darin Howell
dhowell@avprojets.com

2012 Gulfstream G450 SN 4257 N825SS



SPECIFICATIONS ARE PROVIDED FOR INFORMATIONAL PURPOSES ONLY AND DO NOT CONSTITUTE REPRESENTATIONS OR WARRANTIES. THESE SPECIFICATIONS ARE SUBJECT TO BUYER'S INDEPENDENT VERIFICATION UPON INSPECTION.
THE AIRCRAFT IS SUBJECT TO PRIOR SALE, LEASE AND/OR REMOVAL FROM THE MARKET WITHOUT PRIOR NOTICE. MAY 28, 2024 11:01 AM

AVPROJETS.COM
info@avprojets.com

900 Bestgate Road Suite 412 Annapolis, MD 21401
+1.410.573.1515

Darin Howell
dhowell@avprojets.com



AVPRO INC.

CELEBRATING OVER **30** YEARS OF EXCELLENCE

We perform for our clients, averaging two transactions a week.

We match aircraft to your specifications in a professional and timely manner, allowing you to concentrate on your business, leaving the important details of marketing, market research, negotiating and contracting to us.

Avpro offers aircraft financing advisory services. We have the expertise to navigate the appropriate structure, costs and terms to help you meet your objectives. We are ready to provide advice, analysis and sourcing of the lender best suited to meet your requirements.

SERVING CUSTOMERS
AROUND THE GLOBE

Talk to Us

info@avprojets.com

+1.410.573.1515

Connect with Us

