

2019 Gulfstream ^{SN} 2177
Entered Into Service: August 22, 2019

G280



CLICK TO VIEW
VIRTUAL TOUR



AVPRO INC.
www.avprojets.com

EXECUTIVE SALES DIRECTOR

Eddie Kilkeary III
ekilkeary@avprojets.com
+1.410.573.1515

2019 Gulfstream G280 SN 2177 N826SC

Entered Into Service: August 22, 2019

Aircraft Listing Details:

Total Hours: 718
Total Landings: 418

Engines: Honeywell AS907-2-1G

	#1	#2
Total Hours:	740	740
Engine Cycles:	441	450
Serial Numbers:	130471	130472

APU: Honeywell GTCP36-150

Total Hours: 561
Serial Number: P-283

Aircraft Highlights:

- All U.S. Corporate Ownership Pedigree
- Fresh 48 Month Inspection, August 2023 @ GAC Savannah
- Engines & APU Enrolled on MSP Gold Coverage
- MSP Nacelle Preferred Gold Coverage
- Head Up Display + Enhanced Vision
- SVS + XM Weather Equipped
- Stunning 10 Passenger Interior
- High-Definition Tail Camera
- GoGo L5 AVANCE 4G Wi-Fi
- Collins Fusion 3.6.1 Software Upgrade
- New Brakes & Tires
- Remaining Factory Warranty
- No Damage + All Gulfstream Maintenance

Avionics:

- PlaneView280™ Cockpit
 - Dual Flight Management Systems (FMS)
 - Dual Select Attitude Heading Reference Units (S-AHRS)
 - Dual VHF Navigation Systems
 - Triple VHF Communication Systems w/VHS Datalink Capability
 - Dual 12-Channel Global Positioning System
 - XM Weather – Single IFIS (Continental U.S. w/Portions of Alaska & Canada)
 - TCAS II Version 7.1
 - Terrain Awareness Warning System (TAWS) w/Windshear Detection
 - Combo Cockpit Voice Recorder / Flight Data Recorder
 - Dual Autothrottle System
 - Two PlaneBook Electronic Document Managers
 - Emergency Locator Transmitter (ELT)
 - Synthetic Vision – Primary Flight Display (SV-PFD)
 - Honeywell Head Up Display (HUD-2020)
 - Enhanced Vision System (EVS)
-

SPECIFICATIONS ARE PROVIDED FOR INFORMATIONAL PURPOSES ONLY AND DO NOT CONSTITUTE REPRESENTATIONS OR WARRANTIES. THESE SPECIFICATIONS ARE SUBJECT TO BUYER'S INDEPENDENT VERIFICATION UPON INSPECTION.
THE AIRCRAFT IS SUBJECT TO PRIOR SALE, LEASE AND/OR REMOVAL FROM THE MARKET WITHOUT PRIOR NOTICE. JUNE 17, 2024 10:38 AM

2019 Gulfstream G280 SN 2177 N826SC

Entered Into Service: August 22, 2019

Connectivity:

- GoGo Biz AVANCE L5 w/Text & Talk
 - Iridium Satcom Flight Phones w/Two (2) Corded & One Cordless Handset
-

Entertainment:

- CabinView Passenger Flight Info System w/Worldwide Maps
 - Gulfstream Audio/Video Distribution System
 - Passenger Address System
 - Two (2) Forward & Aft 19" HD LCD Bulkhead Monitors
 - 12.1" Side Ledge Plug-in HD LCD Monitor (#2 RH Seat)
 - Two (2) 12" Widescreen Plug-in Monitors
 - Four (4) Plug-in Monitor Receptacles
 - Electronic Cabin Controls Throughout via iPods/iPhones
 - Digital Audio & HD w/Ten (10) Bose Headphones
 - Video Source Equipment
 - Auxiliary Audio/Video Inputs
 - 115V/60Hz Universal-Type Utility Outlets (Cabin & Galley)
 - HD Tail Camera View
 - Two (2) iPods for Cabin Controls
-

Maintenance Programs:

- Engines & APU Enrolled on MSP Gold
 - MSP Nacelle Preferred Gold Coverage
-

Inspection Status:

- 48 Month Inspection, August 2023 @ GAC Savannah
-

Navigation Compliance:

- Automatic Dependent Surveillance–Broadcast (ADS-B out) per DO-260A and DO-260B
 - Automatic Dependent Surveillance–Contract (ADS-C)
 - Future Air Navigation System 1/1A (FANS-1/1A)
 - Reduced Vertical Separation Minimum(RVSM)
 - Lateral Navigation (LNAV), Vertical Navigation (VNAV)
 - Area Navigation (RNAV), Baro VNAV
 - Satellite Based Augmentation System (SBAS)
 - Wide Area Augmentation System (WAAS)
 - Localizer Performance w/Vertical Guidance (LPV)
 - RNP 0.3, RNP 1, RNP 2, RNP 4, RNP 5 & RNP 10
 - TCAS II Version 7.1
 - Instrument & Night operations
 - Polar Operations
-

Features/Options:

- New Brakes & Tires
 - Two (2) 52 Amp Batteries
 - Tail Mounted HD Camera
 - Common Keyed Locks
 - Cockpit Jump Seat
 - Forward Cabin Pocket Door
 - Microwave
 - Manual Window Shades
 - LED Indirect Cabin Lighting w/Cool to Warm Controls
 - Precise Flight Pulselite System
 - Tail Logo Lights
 - Pressurized Water System
 - Passenger Oxygen System
 - Life Rafts & Vests
-

SPECIFICATIONS ARE PROVIDED FOR INFORMATIONAL PURPOSES ONLY AND DO NOT CONSTITUTE REPRESENTATIONS OR WARRANTIES. THESE SPECIFICATIONS ARE SUBJECT TO BUYER'S INDEPENDENT VERIFICATION UPON INSPECTION.

THE AIRCRAFT IS SUBJECT TO PRIOR SALE, LEASE AND/OR REMOVAL FROM THE MARKET WITHOUT PRIOR NOTICE. JUNE 17, 2024 10:38 AM

2019 Gulfstream G280 SN 2177 N826SC

Entered Into Service: August 22, 2019

Interior:

Ten (10) Passenger Configuration Featuring a Forward Fully Equipped Galley followed by a Four (4) Place Club followed by a Six (6) Place Conference Group; Three (3) Console Tables, One (1) Conference Table.

Galley

- Vinyl Flooring with Carpeting
- Microwave Oven
- Coffee Maker & Nespresso
- Complete Hot/Cold Meal & Beverage Service
- Cold Storage w/Adjustable Trays
- Large Ice Drawer w/Overboard Manual Drain
- Sink with Hot/Cold Water
- Two (2) Sets of Galley Drawer Dividers – Forward Lower Drawers
- Two (2) Mid-Galley Shelves w/Miscellaneous Storage Inserts & Dividers
- Solid-Surface Countertop & Pullout Countertop Extension
- Snack, Beverage & Supply Storage
- Miniature Liquor Bottle & Cooled Wine Splits Storage
- Lighted Display Compartment
- Large Waste Container

Cabin

- Manual Window Shades
- Two (2) iPods for Cabin Controls
- Decorative Upper/Lower Sidewall Panels
- Entryway & Cockpit Acoustical Curtains
- Storage Closet
- Two (2) Recliner Leg Rests
- Four (4) Flex-Wing Headrests
- Quilted Seat Inserts

Passenger Service Units

- LED Reading & Table Lights
- LED Indirect Cabin Lighting
- Passenger Emergency Oxygen
- Adjustable Air Outlets
- Audio System Speakers

Lavatory

- Closet for Garment/Miscellaneous Storage
- Full Length Mirror on Lavatory Door
- Vacuum Toilet w/Venting System
- Integral Knee Pads on Toilet Shroud
- Sink with Hot/Cold Water
- Solid-Surface Countertop
- Lighted Mirror
- Waste Container
- Miscellaneous Storage

Exterior:

Matterhorn White, Ferrari Red & Black Pearl Accent Striping.

SPECIFICATIONS ARE PROVIDED FOR INFORMATIONAL PURPOSES ONLY AND DO NOT CONSTITUTE REPRESENTATIONS OR WARRANTIES. THESE SPECIFICATIONS ARE SUBJECT TO BUYER'S INDEPENDENT VERIFICATION UPON INSPECTION.

THE AIRCRAFT IS SUBJECT TO PRIOR SALE, LEASE AND/OR REMOVAL FROM THE MARKET WITHOUT PRIOR NOTICE. JUNE 17, 2024 10:38 AM

2019 Gulfstream G280 SN 2177 N826SC

Entered Into Service: August 22, 2019

The G280 is known for its impressive range and efficiency, allowing travelers to reach remote destinations efficiently. It's designed to handle both long-range flights and short-range operations effectively, making it versatile for various types of travel needs. Excellent airfield performance means it can operate from smaller, less congested airfields, bringing passengers closer to their final destinations without compromising on performance, even in challenging conditions like hot and high-elevation environments.

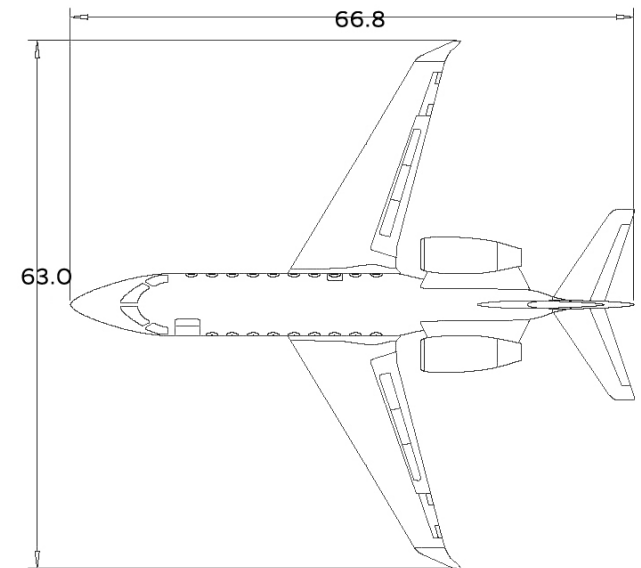
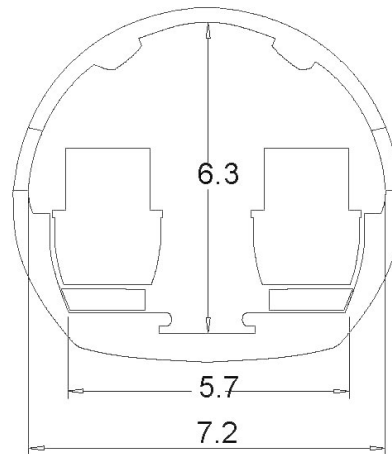


Performance

SpeedMach 0.85 / 652 mph

Max Range.....3600 nm

Fuel Burn.....281 Gal / Hour



SPECIFICATIONS ARE PROVIDED FOR INFORMATIONAL PURPOSES ONLY AND DO NOT CONSTITUTE REPRESENTATIONS OR WARRANTIES. THESE SPECIFICATIONS ARE SUBJECT TO BUYER'S INDEPENDENT VERIFICATION UPON INSPECTION.
THE AIRCRAFT IS SUBJECT TO PRIOR SALE, LEASE AND/OR REMOVAL FROM THE MARKET WITHOUT PRIOR NOTICE. JUNE 17, 2024 10:38 AM

2019 Gulfstream G280 SN 2177 N826SC
Entered Into Service: August 22, 2019



SPECIFICATIONS ARE PROVIDED FOR INFORMATIONAL PURPOSES ONLY AND DO NOT CONSTITUTE REPRESENTATIONS OR WARRANTIES. THESE SPECIFICATIONS ARE SUBJECT TO BUYER'S INDEPENDENT VERIFICATION UPON INSPECTION.
THE AIRCRAFT IS SUBJECT TO PRIOR SALE, LEASE AND/OR REMOVAL FROM THE MARKET WITHOUT PRIOR NOTICE. JUNE 17, 2024 10:38 AM

AVPROJETS.COM
info@avprojets.com

900 Bestgate Road Suite 412 Annapolis, MD 21401
+1.410.573.1515

Eddie Kilkeary III
ekilkeary@avprojets.com

2019 Gulfstream G280 SN 2177 N826SC
Entered Into Service: August 22, 2019



SPECIFICATIONS ARE PROVIDED FOR INFORMATIONAL PURPOSES ONLY AND DO NOT CONSTITUTE REPRESENTATIONS OR WARRANTIES. THESE SPECIFICATIONS ARE SUBJECT TO BUYER'S INDEPENDENT VERIFICATION UPON INSPECTION.
THE AIRCRAFT IS SUBJECT TO PRIOR SALE, LEASE AND/OR REMOVAL FROM THE MARKET WITHOUT PRIOR NOTICE. JUNE 17, 2024 10:38 AM

AVPROJETS.COM
info@avprojets.com

900 Bestgate Road Suite 412 Annapolis, MD 21401
+1.410.573.1515

Eddie Kilkeary III
ekilkeary@avprojets.com

2019 Gulfstream G280 SN 2177 N826SC
Entered Into Service: August 22, 2019



SPECIFICATIONS ARE PROVIDED FOR INFORMATIONAL PURPOSES ONLY AND DO NOT CONSTITUTE REPRESENTATIONS OR WARRANTIES. THESE SPECIFICATIONS ARE SUBJECT TO BUYER'S INDEPENDENT VERIFICATION UPON INSPECTION.
THE AIRCRAFT IS SUBJECT TO PRIOR SALE, LEASE AND/OR REMOVAL FROM THE MARKET WITHOUT PRIOR NOTICE. JUNE 17, 2024 10:38 AM

AVPROJETS.COM
info@avprojets.com

900 Bestgate Road Suite 412 Annapolis, MD 21401
+1.410.573.1515

Eddie Kilkeary III
ekilkeary@avprojets.com

2019 Gulfstream G280 SN 2177 N826SC
Entered Into Service: August 22, 2019



SPECIFICATIONS ARE PROVIDED FOR INFORMATIONAL PURPOSES ONLY AND DO NOT CONSTITUTE REPRESENTATIONS OR WARRANTIES. THESE SPECIFICATIONS ARE SUBJECT TO BUYER'S INDEPENDENT VERIFICATION UPON INSPECTION.
THE AIRCRAFT IS SUBJECT TO PRIOR SALE, LEASE AND/OR REMOVAL FROM THE MARKET WITHOUT PRIOR NOTICE. JUNE 17, 2024 10:38 AM

AVPROJETS.COM
info@avprojets.com

900 Bestgate Road Suite 412 Annapolis, MD 21401
+1.410.573.1515

Eddie Kilkeary III
ekilkeary@avprojets.com

2019 Gulfstream G280 SN 2177 N826SC
Entered Into Service: August 22, 2019



SPECIFICATIONS ARE PROVIDED FOR INFORMATIONAL PURPOSES ONLY AND DO NOT CONSTITUTE REPRESENTATIONS OR WARRANTIES. THESE SPECIFICATIONS ARE SUBJECT TO BUYER'S INDEPENDENT VERIFICATION UPON INSPECTION.
THE AIRCRAFT IS SUBJECT TO PRIOR SALE, LEASE AND/OR REMOVAL FROM THE MARKET WITHOUT PRIOR NOTICE. JUNE 17, 2024 10:38 AM

AVPROJETS.COM
info@avprojets.com

900 Bestgate Road Suite 412 Annapolis, MD 21401
+1.410.573.1515

Eddie Kilkeary III
ekilkeary@avprojets.com

2019 Gulfstream G280 SN 2177 N826SC
Entered Into Service: August 22, 2019



SPECIFICATIONS ARE PROVIDED FOR INFORMATIONAL PURPOSES ONLY AND DO NOT CONSTITUTE REPRESENTATIONS OR WARRANTIES. THESE SPECIFICATIONS ARE SUBJECT TO BUYER'S INDEPENDENT VERIFICATION UPON INSPECTION.
THE AIRCRAFT IS SUBJECT TO PRIOR SALE, LEASE AND/OR REMOVAL FROM THE MARKET WITHOUT PRIOR NOTICE. JUNE 17, 2024 10:38 AM

AVPROJETS.COM
info@avprojets.com

900 Bestgate Road Suite 412 Annapolis, MD 21401
+1.410.573.1515

Eddie Kilkeary III
ekilkeary@avprojets.com

2019 Gulfstream G280 SN 2177 N826SC
Entered Into Service: August 22, 2019



SPECIFICATIONS ARE PROVIDED FOR INFORMATIONAL PURPOSES ONLY AND DO NOT CONSTITUTE REPRESENTATIONS OR WARRANTIES. THESE SPECIFICATIONS ARE SUBJECT TO BUYER'S INDEPENDENT VERIFICATION UPON INSPECTION.
THE AIRCRAFT IS SUBJECT TO PRIOR SALE, LEASE AND/OR REMOVAL FROM THE MARKET WITHOUT PRIOR NOTICE. JUNE 17, 2024 10:38 AM

AVPROJETS.COM
info@avprojets.com

900 Bestgate Road Suite 412 Annapolis, MD 21401
+1.410.573.1515

Eddie Kilkeary III
ekilkeary@avprojets.com

2019 Gulfstream G280 SN 2177 N826SC
Entered Into Service: August 22, 2019



SPECIFICATIONS ARE PROVIDED FOR INFORMATIONAL PURPOSES ONLY AND DO NOT CONSTITUTE REPRESENTATIONS OR WARRANTIES. THESE SPECIFICATIONS ARE SUBJECT TO BUYER'S INDEPENDENT VERIFICATION UPON INSPECTION.
THE AIRCRAFT IS SUBJECT TO PRIOR SALE, LEASE AND/OR REMOVAL FROM THE MARKET WITHOUT PRIOR NOTICE. JUNE 17, 2024 10:38 AM

AVPROJETS.COM
info@avprojets.com

900 Bestgate Road Suite 412 Annapolis, MD 21401
+1.410.573.1515

Eddie Kilkeary III
ekilkeary@avprojets.com

2019 Gulfstream G280 SN 2177 N826SC
Entered Into Service: August 22, 2019



SPECIFICATIONS ARE PROVIDED FOR INFORMATIONAL PURPOSES ONLY AND DO NOT CONSTITUTE REPRESENTATIONS OR WARRANTIES. THESE SPECIFICATIONS ARE SUBJECT TO BUYER'S INDEPENDENT VERIFICATION UPON INSPECTION.
THE AIRCRAFT IS SUBJECT TO PRIOR SALE, LEASE AND/OR REMOVAL FROM THE MARKET WITHOUT PRIOR NOTICE. JUNE 17, 2024 10:38 AM

AVPROJETS.COM
info@avprojets.com

900 Bestgate Road Suite 412 Annapolis, MD 21401
+1.410.573.1515

Eddie Kilkeary III
ekilkeary@avprojets.com

2019 Gulfstream G280 SN 2177 N826SC
Entered Into Service: August 22, 2019



SPECIFICATIONS ARE PROVIDED FOR INFORMATIONAL PURPOSES ONLY AND DO NOT CONSTITUTE REPRESENTATIONS OR WARRANTIES. THESE SPECIFICATIONS ARE SUBJECT TO BUYER'S INDEPENDENT VERIFICATION UPON INSPECTION.
THE AIRCRAFT IS SUBJECT TO PRIOR SALE, LEASE AND/OR REMOVAL FROM THE MARKET WITHOUT PRIOR NOTICE. JUNE 17, 2024 10:38 AM

AVPROJETS.COM
info@avprojets.com

900 Bestgate Road Suite 412 Annapolis, MD 21401
+1.410.573.1515

Eddie Kilkeary III
ekilkeary@avprojets.com

2019 Gulfstream G280 SN 2177 N826SC
Entered Into Service: August 22, 2019



SPECIFICATIONS ARE PROVIDED FOR INFORMATIONAL PURPOSES ONLY AND DO NOT CONSTITUTE REPRESENTATIONS OR WARRANTIES. THESE SPECIFICATIONS ARE SUBJECT TO BUYER'S INDEPENDENT VERIFICATION UPON INSPECTION.
THE AIRCRAFT IS SUBJECT TO PRIOR SALE, LEASE AND/OR REMOVAL FROM THE MARKET WITHOUT PRIOR NOTICE. JUNE 17, 2024 10:38 AM

AVPROJETS.COM
info@avprojets.com

900 Bestgate Road Suite 412 Annapolis, MD 21401
+1.410.573.1515

Eddie Kilkeary III
ekilkeary@avprojets.com

2019 Gulfstream G280 SN 2177 N826SC
Entered Into Service: August 22, 2019



SPECIFICATIONS ARE PROVIDED FOR INFORMATIONAL PURPOSES ONLY AND DO NOT CONSTITUTE REPRESENTATIONS OR WARRANTIES. THESE SPECIFICATIONS ARE SUBJECT TO BUYER'S INDEPENDENT VERIFICATION UPON INSPECTION.
THE AIRCRAFT IS SUBJECT TO PRIOR SALE, LEASE AND/OR REMOVAL FROM THE MARKET WITHOUT PRIOR NOTICE. JUNE 17, 2024 10:38 AM

AVPROJETS.COM
info@avprojets.com

900 Bestgate Road Suite 412 Annapolis, MD 21401
+1.410.573.1515

Eddie Kilkeary III
ekilkeary@avprojets.com

2019 Gulfstream G280 SN 2177 N826SC
Entered Into Service: August 22, 2019



SPECIFICATIONS ARE PROVIDED FOR INFORMATIONAL PURPOSES ONLY AND DO NOT CONSTITUTE REPRESENTATIONS OR WARRANTIES. THESE SPECIFICATIONS ARE SUBJECT TO BUYER'S INDEPENDENT VERIFICATION UPON INSPECTION.
THE AIRCRAFT IS SUBJECT TO PRIOR SALE, LEASE AND/OR REMOVAL FROM THE MARKET WITHOUT PRIOR NOTICE. JUNE 17, 2024 10:38 AM

AVPROJETS.COM
info@avprojets.com

900 Bestgate Road Suite 412 Annapolis, MD 21401
+1.410.573.1515

Eddie Kilkeary III
ekilkeary@avprojets.com

2019 Gulfstream G280 SN 2177 N826SC
Entered Into Service: August 22, 2019



SPECIFICATIONS ARE PROVIDED FOR INFORMATIONAL PURPOSES ONLY AND DO NOT CONSTITUTE REPRESENTATIONS OR WARRANTIES. THESE SPECIFICATIONS ARE SUBJECT TO BUYER'S INDEPENDENT VERIFICATION UPON INSPECTION.
THE AIRCRAFT IS SUBJECT TO PRIOR SALE, LEASE AND/OR REMOVAL FROM THE MARKET WITHOUT PRIOR NOTICE. JUNE 17, 2024 10:38 AM

AVPROJETS.COM
info@avprojets.com

900 Bestgate Road Suite 412 Annapolis, MD 21401
+1.410.573.1515

Eddie Kilkeary III
ekilkeary@avprojets.com

2019 Gulfstream G280 SN 2177 N826SC
Entered Into Service: August 22, 2019



SPECIFICATIONS ARE PROVIDED FOR INFORMATIONAL PURPOSES ONLY AND DO NOT CONSTITUTE REPRESENTATIONS OR WARRANTIES. THESE SPECIFICATIONS ARE SUBJECT TO BUYER'S INDEPENDENT VERIFICATION UPON INSPECTION.
THE AIRCRAFT IS SUBJECT TO PRIOR SALE, LEASE AND/OR REMOVAL FROM THE MARKET WITHOUT PRIOR NOTICE. JUNE 17, 2024 10:38 AM

AVPROJETS.COM
info@avprojets.com

900 Bestgate Road Suite 412 Annapolis, MD 21401
+1.410.573.1515

Eddie Kilkeary III
ekilkeary@avprojets.com

2019 Gulfstream G280 SN 2177 N826SC
Entered Into Service: August 22, 2019



SPECIFICATIONS ARE PROVIDED FOR INFORMATIONAL PURPOSES ONLY AND DO NOT CONSTITUTE REPRESENTATIONS OR WARRANTIES. THESE SPECIFICATIONS ARE SUBJECT TO BUYER'S INDEPENDENT VERIFICATION UPON INSPECTION.
THE AIRCRAFT IS SUBJECT TO PRIOR SALE, LEASE AND/OR REMOVAL FROM THE MARKET WITHOUT PRIOR NOTICE. JUNE 17, 2024 10:38 AM

AVPROJETS.COM
info@avprojets.com

900 Bestgate Road Suite 412 Annapolis, MD 21401
+1.410.573.1515

Eddie Kilkeary III
ekilkeary@avprojets.com

2019 Gulfstream G280 SN 2177 N826SC
Entered Into Service: August 22, 2019



SPECIFICATIONS ARE PROVIDED FOR INFORMATIONAL PURPOSES ONLY AND DO NOT CONSTITUTE REPRESENTATIONS OR WARRANTIES. THESE SPECIFICATIONS ARE SUBJECT TO BUYER'S INDEPENDENT VERIFICATION UPON INSPECTION. THE AIRCRAFT IS SUBJECT TO PRIOR SALE, LEASE AND/OR REMOVAL FROM THE MARKET WITHOUT PRIOR NOTICE. JUNE 17, 2024 10:38 AM

AVPROJETS.COM
info@avprojets.com

900 Bestgate Road Suite 412 Annapolis, MD 21401
+1.410.573.1515

Eddie Kilkeary III
ekilkeary@avprojets.com

2019 Gulfstream G280 SN 2177 N826SC
Entered Into Service: August 22, 2019



SPECIFICATIONS ARE PROVIDED FOR INFORMATIONAL PURPOSES ONLY AND DO NOT CONSTITUTE REPRESENTATIONS OR WARRANTIES. THESE SPECIFICATIONS ARE SUBJECT TO BUYER'S INDEPENDENT VERIFICATION UPON INSPECTION.
THE AIRCRAFT IS SUBJECT TO PRIOR SALE, LEASE AND/OR REMOVAL FROM THE MARKET WITHOUT PRIOR NOTICE. JUNE 17, 2024 10:38 AM

AVPROJETS.COM
info@avprojets.com

900 Bestgate Road Suite 412 Annapolis, MD 21401
+1.410.573.1515

Eddie Kilkeary III
ekilkeary@avprojets.com

2019 Gulfstream G280 SN 2177 N826SC
Entered Into Service: August 22, 2019



SPECIFICATIONS ARE PROVIDED FOR INFORMATIONAL PURPOSES ONLY AND DO NOT CONSTITUTE REPRESENTATIONS OR WARRANTIES. THESE SPECIFICATIONS ARE SUBJECT TO BUYER'S INDEPENDENT VERIFICATION UPON INSPECTION.
THE AIRCRAFT IS SUBJECT TO PRIOR SALE, LEASE AND/OR REMOVAL FROM THE MARKET WITHOUT PRIOR NOTICE. JUNE 17, 2024 10:38 AM

AVPROJETS.COM
info@avprojets.com

900 Bestgate Road Suite 412 Annapolis, MD 21401
+1.410.573.1515

Eddie Kilkeary III
ekilkeary@avprojets.com

2019 Gulfstream G280 SN 2177 N826SC

Entered Into Service: August 22, 2019



SPECIFICATIONS ARE PROVIDED FOR INFORMATIONAL PURPOSES ONLY AND DO NOT CONSTITUTE REPRESENTATIONS OR WARRANTIES. THESE SPECIFICATIONS ARE SUBJECT TO BUYER'S INDEPENDENT VERIFICATION UPON INSPECTION.
 THE AIRCRAFT IS SUBJECT TO PRIOR SALE, LEASE AND/OR REMOVAL FROM THE MARKET WITHOUT PRIOR NOTICE. JUNE 17, 2024 10:38 AM

2019 Gulfstream G280 SN 2177 N826SC
Entered Into Service: August 22, 2019



SPECIFICATIONS ARE PROVIDED FOR INFORMATIONAL PURPOSES ONLY AND DO NOT CONSTITUTE REPRESENTATIONS OR WARRANTIES. THESE SPECIFICATIONS ARE SUBJECT TO BUYER'S INDEPENDENT VERIFICATION UPON INSPECTION.
THE AIRCRAFT IS SUBJECT TO PRIOR SALE, LEASE AND/OR REMOVAL FROM THE MARKET WITHOUT PRIOR NOTICE. JUNE 17, 2024 10:38 AM

AVPROJETS.COM
info@avprojets.com

900 Bestgate Road Suite 412 Annapolis, MD 21401
+1.410.573.1515

Eddie Kilkeary III
ekilkeary@avprojets.com

2019 Gulfstream G280 SN 2177 N826SC
Entered Into Service: August 22, 2019



SPECIFICATIONS ARE PROVIDED FOR INFORMATIONAL PURPOSES ONLY AND DO NOT CONSTITUTE REPRESENTATIONS OR WARRANTIES. THESE SPECIFICATIONS ARE SUBJECT TO BUYER'S INDEPENDENT VERIFICATION UPON INSPECTION.
THE AIRCRAFT IS SUBJECT TO PRIOR SALE, LEASE AND/OR REMOVAL FROM THE MARKET WITHOUT PRIOR NOTICE. JUNE 17, 2024 10:38 AM

AVPROJETS.COM
info@avprojets.com

900 Bestgate Road Suite 412 Annapolis, MD 21401
+1.410.573.1515

Eddie Kilkeary III
ekilkeary@avprojets.com

2019 Gulfstream G280 SN 2177 N826SC
Entered Into Service: August 22, 2019



SPECIFICATIONS ARE PROVIDED FOR INFORMATIONAL PURPOSES ONLY AND DO NOT CONSTITUTE REPRESENTATIONS OR WARRANTIES. THESE SPECIFICATIONS ARE SUBJECT TO BUYER'S INDEPENDENT VERIFICATION UPON INSPECTION.
THE AIRCRAFT IS SUBJECT TO PRIOR SALE, LEASE AND/OR REMOVAL FROM THE MARKET WITHOUT PRIOR NOTICE. JUNE 17, 2024 10:38 AM

AVPROJETS.COM
info@avprojets.com

900 Bestgate Road Suite 412 Annapolis, MD 21401
+1.410.573.1515

Eddie Kilkeary III
ekilkeary@avprojets.com

2019 Gulfstream G280 SN 2177 N826SC
Entered Into Service: August 22, 2019



SPECIFICATIONS ARE PROVIDED FOR INFORMATIONAL PURPOSES ONLY AND DO NOT CONSTITUTE REPRESENTATIONS OR WARRANTIES. THESE SPECIFICATIONS ARE SUBJECT TO BUYER'S INDEPENDENT VERIFICATION UPON INSPECTION.
THE AIRCRAFT IS SUBJECT TO PRIOR SALE, LEASE AND/OR REMOVAL FROM THE MARKET WITHOUT PRIOR NOTICE. JUNE 17, 2024 10:38 AM

AVPROJETS.COM
info@avprojets.com

900 Bestgate Road Suite 412 Annapolis, MD 21401
+1.410.573.1515

Eddie Kilkeary III
ekilkeary@avprojets.com

2019 Gulfstream G280 SN 2177 N826SC
Entered Into Service: August 22, 2019



SPECIFICATIONS ARE PROVIDED FOR INFORMATIONAL PURPOSES ONLY AND DO NOT CONSTITUTE REPRESENTATIONS OR WARRANTIES. THESE SPECIFICATIONS ARE SUBJECT TO BUYER'S INDEPENDENT VERIFICATION UPON INSPECTION.
THE AIRCRAFT IS SUBJECT TO PRIOR SALE, LEASE AND/OR REMOVAL FROM THE MARKET WITHOUT PRIOR NOTICE. JUNE 17, 2024 10:38 AM

AVPROJETS.COM
info@avprojets.com

900 Bestgate Road Suite 412 Annapolis, MD 21401
+1.410.573.1515

Eddie Kilkeary III
ekilkeary@avprojets.com

2019 Gulfstream G280 SN 2177 N826SC
Entered Into Service: August 22, 2019



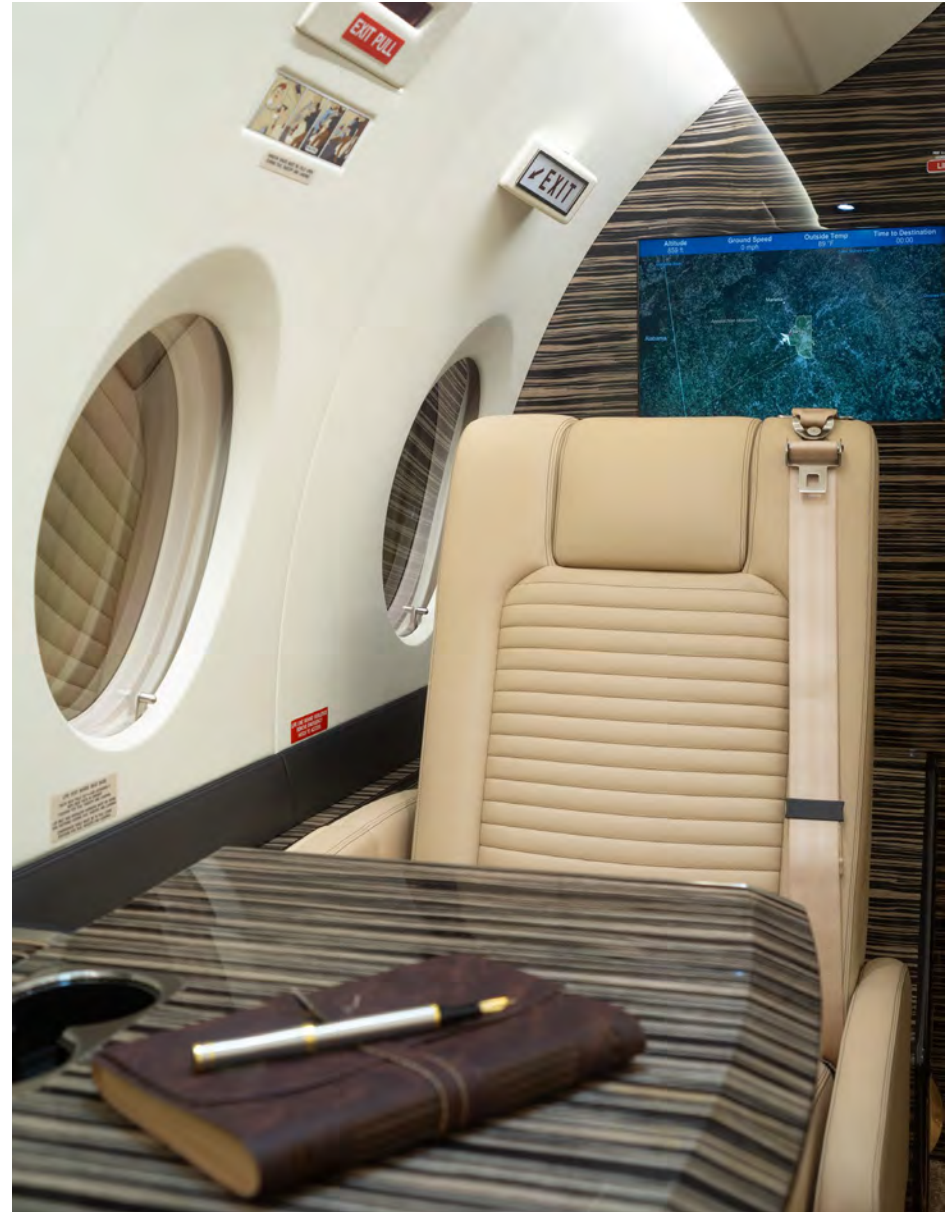
SPECIFICATIONS ARE PROVIDED FOR INFORMATIONAL PURPOSES ONLY AND DO NOT CONSTITUTE REPRESENTATIONS OR WARRANTIES. THESE SPECIFICATIONS ARE SUBJECT TO BUYER'S INDEPENDENT VERIFICATION UPON INSPECTION.
THE AIRCRAFT IS SUBJECT TO PRIOR SALE, LEASE AND/OR REMOVAL FROM THE MARKET WITHOUT PRIOR NOTICE. JUNE 17, 2024 10:38 AM

AVPROJETS.COM
info@avprojets.com

900 Bestgate Road Suite 412 Annapolis, MD 21401
+1.410.573.1515

Eddie Kilkeary III
ekilkeary@avprojets.com

2019 Gulfstream G280 SN 2177 N826SC
Entered Into Service: August 22, 2019



SPECIFICATIONS ARE PROVIDED FOR INFORMATIONAL PURPOSES ONLY AND DO NOT CONSTITUTE REPRESENTATIONS OR WARRANTIES. THESE SPECIFICATIONS ARE SUBJECT TO BUYER'S INDEPENDENT VERIFICATION UPON INSPECTION.
THE AIRCRAFT IS SUBJECT TO PRIOR SALE, LEASE AND/OR REMOVAL FROM THE MARKET WITHOUT PRIOR NOTICE. JUNE 17, 2024 10:38 AM

AVPROJETS.COM
info@avprojets.com

900 Bestgate Road Suite 412 Annapolis, MD 21401
+1.410.573.1515

Eddie Kilkeary III
ekilkeary@avprojets.com

2019 Gulfstream G280 SN 2177 N826SC
Entered Into Service: August 22, 2019



SPECIFICATIONS ARE PROVIDED FOR INFORMATIONAL PURPOSES ONLY AND DO NOT CONSTITUTE REPRESENTATIONS OR WARRANTIES. THESE SPECIFICATIONS ARE SUBJECT TO BUYER'S INDEPENDENT VERIFICATION UPON INSPECTION.
THE AIRCRAFT IS SUBJECT TO PRIOR SALE, LEASE AND/OR REMOVAL FROM THE MARKET WITHOUT PRIOR NOTICE. JUNE 17, 2024 10:38 AM

AVPROJETS.COM
info@avprojets.com

900 Bestgate Road Suite 412 Annapolis, MD 21401
+1.410.573.1515

Eddie Kilkeary III
ekilkeary@avprojets.com

2019 Gulfstream G280 SN 2177 N826SC
Entered Into Service: August 22, 2019



SPECIFICATIONS ARE PROVIDED FOR INFORMATIONAL PURPOSES ONLY AND DO NOT CONSTITUTE REPRESENTATIONS OR WARRANTIES. THESE SPECIFICATIONS ARE SUBJECT TO BUYER'S INDEPENDENT VERIFICATION UPON INSPECTION.
THE AIRCRAFT IS SUBJECT TO PRIOR SALE, LEASE AND/OR REMOVAL FROM THE MARKET WITHOUT PRIOR NOTICE. JUNE 17, 2024 10:38 AM

AVPROJETS.COM
info@avprojets.com

900 Bestgate Road Suite 412 Annapolis, MD 21401
+1.410.573.1515

Eddie Kilkeary III
ekilkeary@avprojets.com

2019 Gulfstream G280 SN 2177 N826SC
Entered Into Service: August 22, 2019



SPECIFICATIONS ARE PROVIDED FOR INFORMATIONAL PURPOSES ONLY AND DO NOT CONSTITUTE REPRESENTATIONS OR WARRANTIES. THESE SPECIFICATIONS ARE SUBJECT TO BUYER'S INDEPENDENT VERIFICATION UPON INSPECTION.
THE AIRCRAFT IS SUBJECT TO PRIOR SALE, LEASE AND/OR REMOVAL FROM THE MARKET WITHOUT PRIOR NOTICE. JUNE 17, 2024 10:38 AM

AVPROJETS.COM
info@avprojets.com

900 Bestgate Road Suite 412 Annapolis, MD 21401
+1.410.573.1515

Eddie Kilkeary III
ekilkeary@avprojets.com



AVPRO INC.

CELEBRATING OVER **30** YEARS OF EXCELLENCE

We perform for our clients, averaging two transactions a week.

We match aircraft to your specifications in a professional and timely manner, allowing you to concentrate on your business, leaving the important details of marketing, market research, negotiating and contracting to us.

Avpro offers aircraft financing advisory services. We have the expertise to navigate the appropriate structure, costs and terms to help you meet your objectives. We are ready to provide advice, analysis and sourcing of the lender best suited to meet your requirements.

SERVING CUSTOMERS
AROUND THE GLOBE

Talk to Us

info@avprojets.com

+1.410.573.1515

Connect with Us

