



2018 Citation ^{SN} 680A-0128

Latitude

AVPRO INC.
www.avprojets.com

EXECUTIVE SALES DIRECTOR

Bob Butcher
bbutcher@avprojets.com
+1.410.573.1515

2018 Citation Latitude SN 680A-0128 N612AC

Aircraft Listing Details:

Total Hours: 533
Total Landings: 441

Engines: Pratt & Whitney 306D1

	#1	#2
Total Hours:	533	533
Engine Cycles:	441	441
Serial Numbers:	PCE-CN0257	PCE-CN0256

APU: Honeywell RE100CS (G150)

Total Hours: 548
Serial Number: P-823

Aircraft Highlights:

- Garmin G5000 Integrated Avionics Version 4.8
- Swift BB Aviator 300 WiFi
- Synthetic Vision
- ADS-B Out, WAAS/LPV
- Enrolled on ProParts & ProTech
- Engines Enrolled on ESP Gold
- APU Enrolled on MSP Gold

Avionics:

- Garmin G5000 Integrated Avionics System Version 4.8
- Automatic Flight Control System (AFCS) Computers
- Garmin Synthetic Vision Technology (SVT)
- Garmin Integrated Flight Deck (GIFD)
- Engine Indicating System (EIS)
- Dual Rockwell-Collins DME-4000s
- Flight Crew Radio Communications
- Dual Garmin GTX 3000 XPonders w/ADS-B Out Capability
- Dual Flight Management Systems (FMS)
- Crew Alerting System (CAS)
- Air Data System
- Dual Lite LCR-100 Attitude/Heading Reference System (AHRS)
- KHF-1050 HF Radio with SELCAL
- Two (2) PFDs
- One (1) MFD
- Garmin Touchscreen Control (GTC) Panels
- L3 Communications Cockpit Voice Recorder (CVR)
- Flight Data Recorder
- Garmin GWX 70 Weather Radar
- Garmin GRA 5500 Radar Altimeter
- Garmin GTS 8000 TCAS II compliant with Change 7.1
- Class A Terrain Awareness and Warning System (TAWS)
- Chart View Electronic Charts (requires subscription)
- Artex 406 MHz Emergency Locator Transmitter (ELT)

Garmin Dual Integrated Avionics Units (GIAs) include:

- Dual GPS with WAAS / LPV Receivers
- Dual VHF Comm Radios
- Dual VHF Nav Radios
- Glideslope Receivers
- Electronic Standby Flight Display (ESFD)
- Maintenance Diagnostics (AReS)

SPECIFICATIONS ARE PROVIDED FOR INFORMATIONAL PURPOSES ONLY AND DO NOT CONSTITUTE REPRESENTATIONS OR WARRANTIES. THESE SPECIFICATIONS ARE SUBJECT TO BUYER'S INDEPENDENT VERIFICATION UPON INSPECTION.
THE AIRCRAFT IS SUBJECT TO PRIOR SALE, LEASE AND/OR REMOVAL FROM THE MARKET WITHOUT PRIOR NOTICE. JUNE 13, 2024 11:07 AM

2018 Citation Latitude SN 680A-0128 N612AC

Connectivity:

- Swift Broadband Aviator 300 (Worldwide Wi-Fi)
 - Garmin Iridium Satcom System
 - Wireless Local Area Network (LAN)
 - Clarity Wireless Application
-

Maintenance Programs:

- Enrolled on ProParts & ProTech
 - Engines Enrolled on ESP Gold
 - APU Enrolled on MSP Gold
 - CAMP
-

Features/Options:

- Autothrottles
- Passenger In-Flight Information System
- Extended Range Oxygen System
- L3 Communications Quick Access Recorder
- GDR 66 VHF Datalink Radio
- Cockpit Sliding Doors
- Microwave
- 115 VAC Universal Outlets
- Eleven (11) Person Winslow Life Raft Part 135
- CAMP Maintenance Tracking Program

Interior:

Nine (9) passenger interior with four (4) single club seat configuration and a dual sidefacing seat in the forward cabin and two (2) single club seat configuration and a belted side-facing in the aft cabin. Forward refreshment center with microwave. Cabin dividers with sliding doors. Table tops are finished in cabinetry wood. Interior options include iPad-compatible Clarity Wireless Application, Passenger in-flight information system and Wireless Local Area Network.

Wood: Carl Booth High Gloss Veneer

Plating: Satin Smoked Nickel

Seats: Townsend Leather

Headliner: Tapis Ultra Leather

Carpet: Saturn w/Silk

Window Shades: Warm Grey

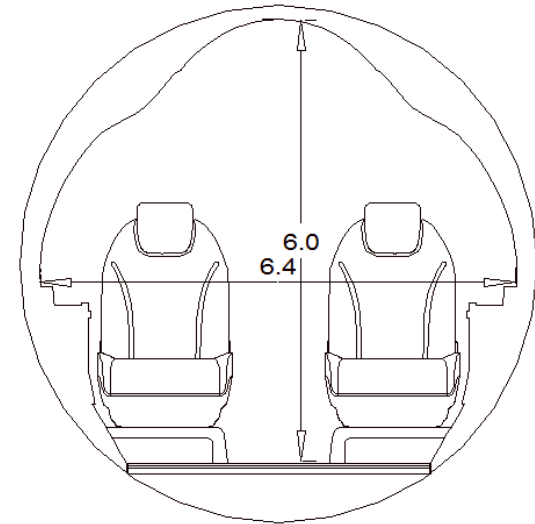
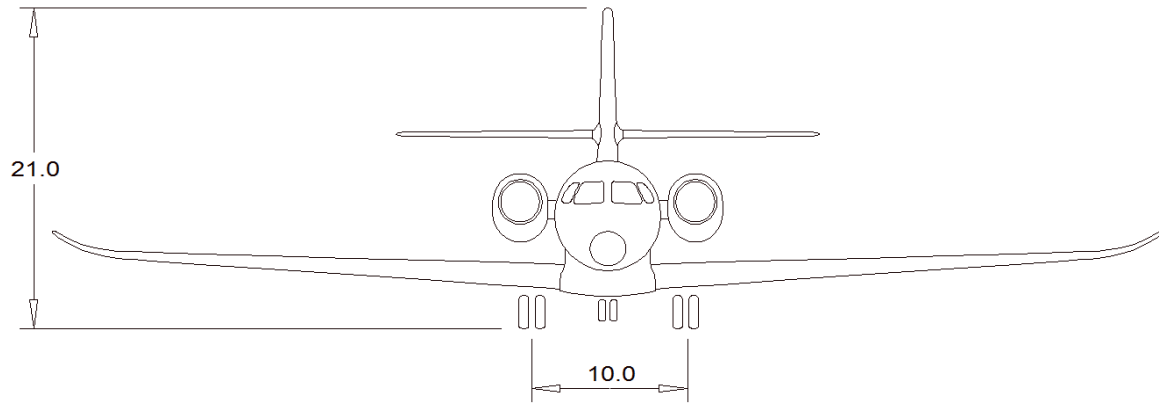
Pilot Seats: Garrett Sheepskin

Exterior:

Overall Snow White with Casino Silver and Virga Blue Striping.

SPECIFICATIONS ARE PROVIDED FOR INFORMATIONAL PURPOSES ONLY AND DO NOT CONSTITUTE REPRESENTATIONS OR WARRANTIES. THESE SPECIFICATIONS ARE SUBJECT TO BUYER'S INDEPENDENT VERIFICATION UPON INSPECTION.
THE AIRCRAFT IS SUBJECT TO PRIOR SALE, LEASE AND/OR REMOVAL FROM THE MARKET WITHOUT PRIOR NOTICE. JUNE 13, 2024 11:07 AM

2018 Citation Latitude SN 680A-0128 N612AC



SPECIFICATIONS ARE PROVIDED FOR INFORMATIONAL PURPOSES ONLY AND DO NOT CONSTITUTE REPRESENTATIONS OR WARRANTIES. THESE SPECIFICATIONS ARE SUBJECT TO BUYER'S INDEPENDENT VERIFICATION UPON INSPECTION.
THE AIRCRAFT IS SUBJECT TO PRIOR SALE, LEASE AND/OR REMOVAL FROM THE MARKET WITHOUT PRIOR NOTICE. JUNE 7, 2024 1:23 PM

2018 Citation Latitude SN 680A-0128 N612AC



SPECIFICATIONS ARE PROVIDED FOR INFORMATIONAL PURPOSES ONLY AND DO NOT CONSTITUTE REPRESENTATIONS OR WARRANTIES. THESE SPECIFICATIONS ARE SUBJECT TO BUYER'S INDEPENDENT VERIFICATION UPON INSPECTION.
THE AIRCRAFT IS SUBJECT TO PRIOR SALE, LEASE AND/OR REMOVAL FROM THE MARKET WITHOUT PRIOR NOTICE. JUNE 7, 2024 1:23 PM

AVPROJETS.COM
info@avprojets.com

900 Bestgate Road Suite 412 Annapolis, MD 21401
+1.410.573.1515

Bob Butcher
bbutcher@avprojets.com

2018 Citation Latitude SN 680A-0128 N612AC



SPECIFICATIONS ARE PROVIDED FOR INFORMATIONAL PURPOSES ONLY AND DO NOT CONSTITUTE REPRESENTATIONS OR WARRANTIES. THESE SPECIFICATIONS ARE SUBJECT TO BUYER'S INDEPENDENT VERIFICATION UPON INSPECTION.
THE AIRCRAFT IS SUBJECT TO PRIOR SALE, LEASE AND/OR REMOVAL FROM THE MARKET WITHOUT PRIOR NOTICE. JUNE 7, 2024 1:23 PM

AVPROJETS.COM
info@avprojets.com

900 Bestgate Road Suite 412 Annapolis, MD 21401
+1.410.573.1515

Bob Butcher
bbutcher@avprojets.com

2018 Citation Latitude SN 680A-0128 N612AC



SPECIFICATIONS ARE PROVIDED FOR INFORMATIONAL PURPOSES ONLY AND DO NOT CONSTITUTE REPRESENTATIONS OR WARRANTIES. THESE SPECIFICATIONS ARE SUBJECT TO BUYER'S INDEPENDENT VERIFICATION UPON INSPECTION.
THE AIRCRAFT IS SUBJECT TO PRIOR SALE, LEASE AND/OR REMOVAL FROM THE MARKET WITHOUT PRIOR NOTICE. JUNE 7, 2024 1:23 PM

AVPROJETS.COM
info@avprojets.com

900 Bestgate Road Suite 412 Annapolis, MD 21401
+1.410.573.1515

Bob Butcher
bbutcher@avprojets.com

2018 Citation Latitude SN 680A-0128 N612AC



SPECIFICATIONS ARE PROVIDED FOR INFORMATIONAL PURPOSES ONLY AND DO NOT CONSTITUTE REPRESENTATIONS OR WARRANTIES. THESE SPECIFICATIONS ARE SUBJECT TO BUYER'S INDEPENDENT VERIFICATION UPON INSPECTION.
THE AIRCRAFT IS SUBJECT TO PRIOR SALE, LEASE AND/OR REMOVAL FROM THE MARKET WITHOUT PRIOR NOTICE. JUNE 7, 2024 1:23 PM

AVPROJETS.COM
info@avprojets.com

900 Bestgate Road Suite 412 Annapolis, MD 21401
+1.410.573.1515

Bob Butcher
bbutcher@avprojets.com

2018 Citation Latitude SN 680A-0128 N612AC



SPECIFICATIONS ARE PROVIDED FOR INFORMATIONAL PURPOSES ONLY AND DO NOT CONSTITUTE REPRESENTATIONS OR WARRANTIES. THESE SPECIFICATIONS ARE SUBJECT TO BUYER'S INDEPENDENT VERIFICATION UPON INSPECTION.
THE AIRCRAFT IS SUBJECT TO PRIOR SALE, LEASE AND/OR REMOVAL FROM THE MARKET WITHOUT PRIOR NOTICE. JUNE 7, 2024 1:23 PM

AVPROJETS.COM
info@avprojets.com

900 Bestgate Road Suite 412 Annapolis, MD 21401
+1.410.573.1515

Bob Butcher
bbutcher@avprojets.com

2018 Citation Latitude SN 680A-0128 N612AC



SPECIFICATIONS ARE PROVIDED FOR INFORMATIONAL PURPOSES ONLY AND DO NOT CONSTITUTE REPRESENTATIONS OR WARRANTIES. THESE SPECIFICATIONS ARE SUBJECT TO BUYER'S INDEPENDENT VERIFICATION UPON INSPECTION.
THE AIRCRAFT IS SUBJECT TO PRIOR SALE, LEASE AND/OR REMOVAL FROM THE MARKET WITHOUT PRIOR NOTICE. JUNE 7, 2024 1:23 PM

AVPROJETS.COM
info@avprojets.com

900 Bestgate Road Suite 412 Annapolis, MD 21401
+1.410.573.1515

Bob Butcher
bbutcher@avprojets.com

2018 Citation Latitude SN 680A-0128 N612AC



SPECIFICATIONS ARE PROVIDED FOR INFORMATIONAL PURPOSES ONLY AND DO NOT CONSTITUTE REPRESENTATIONS OR WARRANTIES. THESE SPECIFICATIONS ARE SUBJECT TO BUYER'S INDEPENDENT VERIFICATION UPON INSPECTION.
THE AIRCRAFT IS SUBJECT TO PRIOR SALE, LEASE AND/OR REMOVAL FROM THE MARKET WITHOUT PRIOR NOTICE. JUNE 7, 2024 1:23 PM

AVPROJETS.COM
info@avprojets.com

900 Bestgate Road Suite 412 Annapolis, MD 21401
+1.410.573.1515

Bob Butcher
bbutcher@avprojets.com

2018 Citation Latitude SN 680A-0128 N612AC



SPECIFICATIONS ARE PROVIDED FOR INFORMATIONAL PURPOSES ONLY AND DO NOT CONSTITUTE REPRESENTATIONS OR WARRANTIES. THESE SPECIFICATIONS ARE SUBJECT TO BUYER'S INDEPENDENT VERIFICATION UPON INSPECTION.
THE AIRCRAFT IS SUBJECT TO PRIOR SALE, LEASE AND/OR REMOVAL FROM THE MARKET WITHOUT PRIOR NOTICE. JUNE 7, 2024 1:23 PM

AVPROJETS.COM
info@avprojets.com

900 Bestgate Road Suite 412 Annapolis, MD 21401
+1.410.573.1515

Bob Butcher
bbutcher@avprojets.com

2018 Citation Latitude SN 680A-0128 N612AC



SPECIFICATIONS ARE PROVIDED FOR INFORMATIONAL PURPOSES ONLY AND DO NOT CONSTITUTE REPRESENTATIONS OR WARRANTIES. THESE SPECIFICATIONS ARE SUBJECT TO BUYER'S INDEPENDENT VERIFICATION UPON INSPECTION.
THE AIRCRAFT IS SUBJECT TO PRIOR SALE, LEASE AND/OR REMOVAL FROM THE MARKET WITHOUT PRIOR NOTICE. JUNE 7, 2024 1:23 PM

AVPROJETS.COM
info@avprojets.com

900 Bestgate Road Suite 412 Annapolis, MD 21401
+1.410.573.1515

Bob Butcher
bbutcher@avprojets.com

2018 Citation Latitude SN 680A-0128 N612AC



SPECIFICATIONS ARE PROVIDED FOR INFORMATIONAL PURPOSES ONLY AND DO NOT CONSTITUTE REPRESENTATIONS OR WARRANTIES. THESE SPECIFICATIONS ARE SUBJECT TO BUYER'S INDEPENDENT VERIFICATION UPON INSPECTION.
THE AIRCRAFT IS SUBJECT TO PRIOR SALE, LEASE AND/OR REMOVAL FROM THE MARKET WITHOUT PRIOR NOTICE. JUNE 7, 2024 1:23 PM

AVPROJETS.COM
info@avprojets.com

900 Bestgate Road Suite 412 Annapolis, MD 21401
+1.410.573.1515

Bob Butcher
bbutcher@avprojets.com

2018 Citation Latitude SN 680A-0128 N612AC



SPECIFICATIONS ARE PROVIDED FOR INFORMATIONAL PURPOSES ONLY AND DO NOT CONSTITUTE REPRESENTATIONS OR WARRANTIES. THESE SPECIFICATIONS ARE SUBJECT TO BUYER'S INDEPENDENT VERIFICATION UPON INSPECTION.
THE AIRCRAFT IS SUBJECT TO PRIOR SALE, LEASE AND/OR REMOVAL FROM THE MARKET WITHOUT PRIOR NOTICE. JUNE 7, 2024 1:23 PM

AVPROJETS.COM
info@avprojets.com

900 Bestgate Road Suite 412 Annapolis, MD 21401
+1.410.573.1515

Bob Butcher
bbutcher@avprojets.com

2018 Citation Latitude SN 680A-0128 N612AC



SPECIFICATIONS ARE PROVIDED FOR INFORMATIONAL PURPOSES ONLY AND DO NOT CONSTITUTE REPRESENTATIONS OR WARRANTIES. THESE SPECIFICATIONS ARE SUBJECT TO BUYER'S INDEPENDENT VERIFICATION UPON INSPECTION.
THE AIRCRAFT IS SUBJECT TO PRIOR SALE, LEASE AND/OR REMOVAL FROM THE MARKET WITHOUT PRIOR NOTICE. JUNE 7, 2024 1:23 PM

AVPROJETS.COM
info@avprojets.com

900 Bestgate Road Suite 412 Annapolis, MD 21401
+1.410.573.1515

Bob Butcher
bbutcher@avprojets.com

2018 Citation Latitude SN 680A-0128 N612AC



SPECIFICATIONS ARE PROVIDED FOR INFORMATIONAL PURPOSES ONLY AND DO NOT CONSTITUTE REPRESENTATIONS OR WARRANTIES. THESE SPECIFICATIONS ARE SUBJECT TO BUYER'S INDEPENDENT VERIFICATION UPON INSPECTION.
THE AIRCRAFT IS SUBJECT TO PRIOR SALE, LEASE AND/OR REMOVAL FROM THE MARKET WITHOUT PRIOR NOTICE. JUNE 7, 2024 1:23 PM

AVPROJETS.COM
info@avprojets.com

900 Bestgate Road Suite 412 Annapolis, MD 21401
+1.410.573.1515

Bob Butcher
bbutcher@avprojets.com

2018 Citation Latitude SN 680A-0128 N612AC



SPECIFICATIONS ARE PROVIDED FOR INFORMATIONAL PURPOSES ONLY AND DO NOT CONSTITUTE REPRESENTATIONS OR WARRANTIES. THESE SPECIFICATIONS ARE SUBJECT TO BUYER'S INDEPENDENT VERIFICATION UPON INSPECTION.
THE AIRCRAFT IS SUBJECT TO PRIOR SALE, LEASE AND/OR REMOVAL FROM THE MARKET WITHOUT PRIOR NOTICE. JUNE 7, 2024 1:23 PM

AVPROJETS.COM
info@avprojets.com

900 Bestgate Road Suite 412 Annapolis, MD 21401
+1.410.573.1515

Bob Butcher
bbutcher@avprojets.com

2018 Citation Latitude SN 680A-0128 N612AC



SPECIFICATIONS ARE PROVIDED FOR INFORMATIONAL PURPOSES ONLY AND DO NOT CONSTITUTE REPRESENTATIONS OR WARRANTIES. THESE SPECIFICATIONS ARE SUBJECT TO BUYER'S INDEPENDENT VERIFICATION UPON INSPECTION.
THE AIRCRAFT IS SUBJECT TO PRIOR SALE, LEASE AND/OR REMOVAL FROM THE MARKET WITHOUT PRIOR NOTICE. JUNE 7, 2024 1:23 PM

AVPROJETS.COM
info@avprojets.com

900 Bestgate Road Suite 412 Annapolis, MD 21401
+1.410.573.1515

Bob Butcher
bbutcher@avprojets.com

2018 Citation Latitude SN 680A-0128 N612AC



SPECIFICATIONS ARE PROVIDED FOR INFORMATIONAL PURPOSES ONLY AND DO NOT CONSTITUTE REPRESENTATIONS OR WARRANTIES. THESE SPECIFICATIONS ARE SUBJECT TO BUYER'S INDEPENDENT VERIFICATION UPON INSPECTION.
THE AIRCRAFT IS SUBJECT TO PRIOR SALE, LEASE AND/OR REMOVAL FROM THE MARKET WITHOUT PRIOR NOTICE. JUNE 7, 2024 1:23 PM

AVPROJETS.COM
info@avprojets.com

900 Bestgate Road Suite 412 Annapolis, MD 21401
+1.410.573.1515

Bob Butcher
bbutcher@avprojets.com

2018 Citation Latitude SN 680A-0128 N612AC



SPECIFICATIONS ARE PROVIDED FOR INFORMATIONAL PURPOSES ONLY AND DO NOT CONSTITUTE REPRESENTATIONS OR WARRANTIES. THESE SPECIFICATIONS ARE SUBJECT TO BUYER'S INDEPENDENT VERIFICATION UPON INSPECTION.
THE AIRCRAFT IS SUBJECT TO PRIOR SALE, LEASE AND/OR REMOVAL FROM THE MARKET WITHOUT PRIOR NOTICE. JUNE 7, 2024 1:23 PM

AVPROJETS.COM
info@avprojets.com

900 Bestgate Road Suite 412 Annapolis, MD 21401
+1.410.573.1515

Bob Butcher
bbutcher@avprojets.com



AVPRO INC.

▪ CELEBRATING **30** YEARS OF EXCELLENCE ▪

We perform for our clients, averaging two transactions a week.

We match aircraft to your specifications in a professional and timely manner, allowing you to concentrate on your business, leaving the important details of marketing, market research, negotiating and contracting to us.

Avpro offers aircraft financing advisory services. We have the expertise to navigate the appropriate structure, costs and terms to help you meet your objectives. We are ready to provide advice, analysis and sourcing of the lender best suited to meet your requirements.

SERVING CUSTOMERS
AROUND THE GLOBE

Talk to Us info@avprojets.com +1.410.573.1515

Connect with Us LINKEDIN FACEBOOK TWITTER INSTAGRAM



AVPROJETS.COM
info@avprojets.com

900 Bestgate Road Suite 412 Annapolis, MD 21401
+1.410.573.1515

Bob Butcher
bbutcher@avprojets.com