

1998 Gulfstream ^{SN} 530

GV



EXECUTIVE SALES DIRECTOR

Eddie Kilkeary III
ekilkeary@avprojets.com
+1.410.573.1515

AVPRO INC.
www.avprojets.com

1998 Gulfstream V SN 530 N780W

Aircraft Listing Details:

Total Hours: 10,594
Total Landings: 4,727

Engines: Rolls Royce BR700-710A1-10

	#1	#2
Total Hours:	10,570	10,573
Engine Cycles:	4,717	4,720
Serial Numbers:	11223	11224

APU: Honeywell GTCP RE-220

Total Hours: 7,270
Serial Number: P-119

Aircraft Highlights:

- PlaneDeck™ (DU-885) w/ XM Weather Installed by GAC
- 2023 Interior Refurbishment
- 14 Passenger Forward Galley Configuration
- FANS-1/A+ Installed 2018 by GAC
- 192 Month Inspection c/w May 2015
- 96 Month Inspection c/w April 2022
- Triple NZ-2000 FMS Upgraded 6.1 w/WAAS/LPV & ADS-B Out
- Engines Enrolled on Rolls Royce Corporate Care
- FAR Part 135 Operated

Avionics:

- Honeywell SPZ-8500 6-Tube EFIS w/PlaneDeck™ (DU-885) w/XM Weather
- Honeywell SPZ-8500 FDS/AutoPilot
- Honeywell / GEC Marconi HUD 2020
- Triple Collins VHF-422D Comms w/8.33 Spacing
- Dual Collins VIR-432 NAVS w/FM Immunity
- Dual Collins DME-442 DMEs
- Dual Collins ADF-462 ADFs
- Triple Honeywell AZ-850 MADC
- Dual Collins TDR-94D Mode S Transponders w/Flight ID
- Triple NZ-2000 FMS Upgraded 6.1 w/WAAS/LPV & ADS-B Out
- Dual Honeywell GPS 830 FMS
- Triple Honeywell CD-820s CDUs
- Triple Honeywell Laseref IV & Single Lasertrak Nav Display Unit
- Meggitt Secondary Flight & NAV Display
- Dual Collins HF9000 HFs w/SELCAL
- Dual Collins RTU-4280 Radio Tuning Units
- Honeywell Primus 880 w/LSZ 860 Lightning Detection Sensor
- Dual Honeywell RT-300 Radio Altimeter
- Honeywell TPU 67A TCAS II w/Change 7.1
- Honeywell EGPWS w/Windshear & RAAS
- B&D Instruments Flight Data Recorder
- Teledyne Controls Cockpit Voice Recorder
- VHF/Satellite AFIS w/Dedicated Cockpit AFIS Printer
- Honeywell DL950 Data Loader

SPECIFICATIONS ARE PROVIDED FOR INFORMATIONAL PURPOSES ONLY AND DO NOT CONSTITUTE REPRESENTATIONS OR WARRANTIES. THESE SPECIFICATIONS ARE SUBJECT TO BUYER'S INDEPENDENT VERIFICATION UPON INSPECTION.
THE AIRCRAFT IS SUBJECT TO PRIOR SALE, LEASE AND/OR REMOVAL FROM THE MARKET WITHOUT PRIOR NOTICE. JULY 2, 2024 10:02 AM

1998 Gulfstream V SN 530 N780W

Connectivity:

- Aircell ATG 4000 Go-Go Biz Wi-Fi
 - Honeywell HD-710 Swift Broadband High Speed Data
 - Satcom Direct SDR Wireless Router
 - MCS 7000+ SATCOM
-

Entertainment:

- Airshow Genesis w/Cordless Mouse
 - Forward LH Cabin Bulkhead Monitor
 - Monitor Above Credenza
 - Dual Swing Out Individual Monitors w/Close Out Door at each Club Seat
 - Phone Handsets (cockpit, galley, fwd divan, RH seat & conference table)
 - Cabin Business Media Center
 - Bose Speaker
 - Amplifier & Equalizer System
 - One (1) CD Changer
 - One (1) DVD Player
 - One (1) Blu-ray Player
 - Two (2) Apple TVs w/Plex
 - Fax/Printer
-

Maintenance Programs:

- Engines Enrolled on Rolls Royce Corporate Care
-

Inspection Status:

- 96 Month Inspection c/w April 2022
 - 192 Month Inspection c/w May 2015
-

ASC Compliance:

- CD 830's Capable of Displaying Airshow on the FMS Displays
 - ASC 25 Remote Oiler System
 - ASC 39 Single DAU for Dispatch
 - ASC 64A Max Landing Gross Weight 75,000 lbs.
 - ASC 81 Max Zero Fuel Gross Weight 53,500 lbs.
 - ASC 145 Horizontal Stabilizer Actuator Replacement
 - ASC 149 Digital Flight Data Recorder Download Port Installation
 - ASC 152 Cockpit Canopy Vortex Generator Installation
 - ASC 167 FADEC Modification to G10.2
 - ASC 159 Vortex Generator Installation & Rib Enforcement
 - ASC 160 Enhanced Baggage Door Seal System
 - ASC 168 Rudder Actuator Forward Fitting Replacement
 - ASC 169 Auxiliary Hydraulic Boost Pump Circuit Protection
 - ASC 176 Nose Landing Gear Actuator Modification
 - ASC 178 Rear Spar Fatigue Enhancement
 - ASC 180 Nose Landing Gear Up Lock Hook Spring Replacement
 - ASC 181 Dual Brake Metering Valve Replacement
 - ASC 183B DU-885 (LCD) Installation (PlaneDeck) w/XM Weather
 - ASC 189 Wing Rear Beam Mod Flight Spoiler Actuator Attachment Point
-

Navigation Compliance:

- FANS-1/A+
 - ADS-B Out
 - Triple NZ-2000 FMS Upgraded 6.1
 - WAAS/LPV
 - RVSM/MNPS/NAT Capable
 - CAT II Certified
 - P-RNAV/B-RNAV/RNP 10
 - TAWS Compliant
-

SPECIFICATIONS ARE PROVIDED FOR INFORMATIONAL PURPOSES ONLY AND DO NOT CONSTITUTE REPRESENTATIONS OR WARRANTIES. THESE SPECIFICATIONS ARE SUBJECT TO BUYER'S INDEPENDENT VERIFICATION UPON INSPECTION.
THE AIRCRAFT IS SUBJECT TO PRIOR SALE, LEASE AND/OR REMOVAL FROM THE MARKET WITHOUT PRIOR NOTICE. JULY 2, 2024 10:02 AM

1998 Gulfstream V SN 530 N780W

Weights:

Basic Operating	48,639 lbs.
Max Take Off	90,500 lbs.
Max Ramp	90,500 lbs.
Max Landing	75,300 lbs.
Empty	47,267 lbs.
Useful Load	961 lbs.

Features/Options:

- Prizm LED Lighting (**New**)
- Three (3) Jet Beds (**New**)
- Custom Bedding for Conference Group (**New**)
- Thrust Reversers
- Foxtronics Battery Temperature Indicating System
- Certified Jump Seat
- Electric Window Shades
- Microwave
- Convection Oven

Interior: (2023 Refurbishment)

Exquisite fourteen (14) passenger fireblocked interior featuring a fully equipped forward galley with ample storage for china, crystal, flatware and ice. There is a solid pop-up door separating the galley from the forward cabin for additional privacy. The forward cabin offers a two (2) place club with pull out tables opposite a four (4) place berthable divan, a second pop up door provides the option for complete privacy in the forward cabin area. The mid cabin offers a four (4) place club arrangement with pull out tables followed by an aft four (4) place conference group opposite a credenza.

Forward crew and aft full-service lavatories offer vacuum systems and are externally serviceable. The aft lavatory features a closet for additional storage as well as a convenient dressing area.

The 2023 Interior Refurbishment Included:

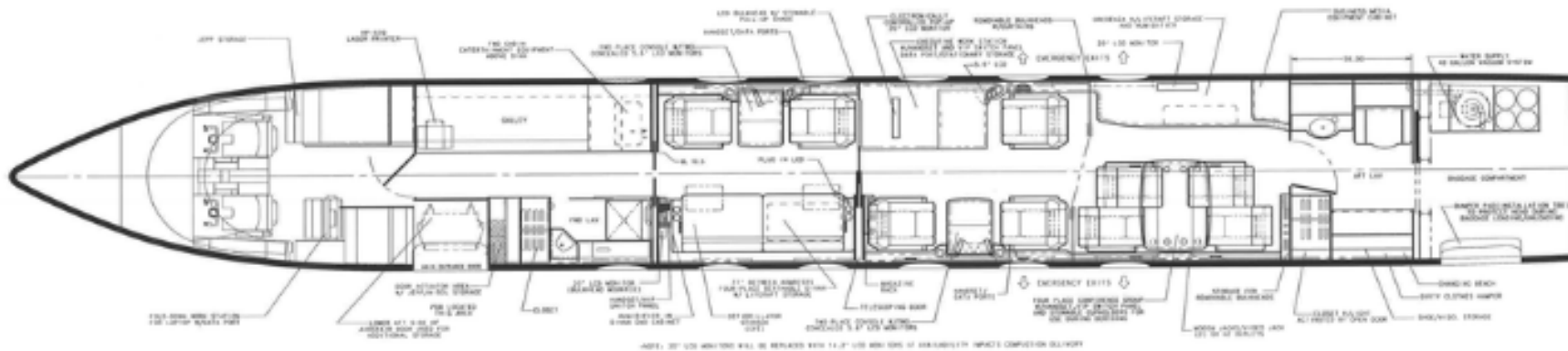
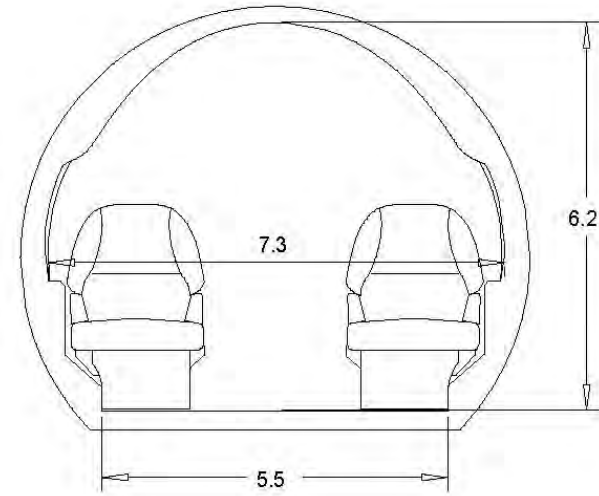
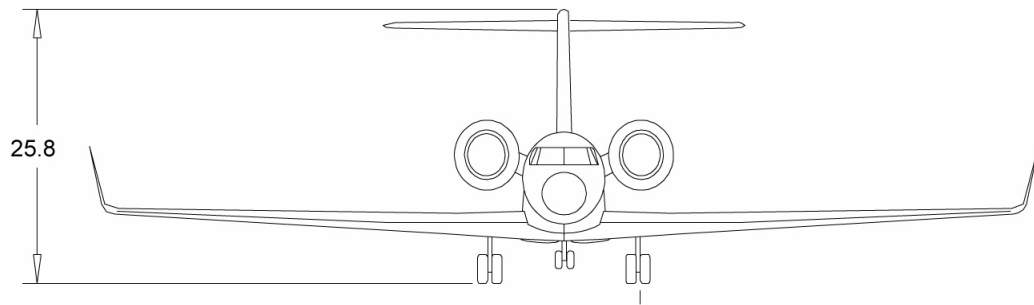
- New Divan
 - New Leather Dado Panels
 - Three (3) New Jet Beds
 - Custom Bedding for the Conference Table
 - LED Prizm Lighting Throughout
-

Exterior: (2018 Paint by Duncan Aviation)

Overall Snow White with Titanium, Silver & Grey Accent Striping.

SPECIFICATIONS ARE PROVIDED FOR INFORMATIONAL PURPOSES ONLY AND DO NOT CONSTITUTE REPRESENTATIONS OR WARRANTIES. THESE SPECIFICATIONS ARE SUBJECT TO BUYER'S INDEPENDENT VERIFICATION UPON INSPECTION.
THE AIRCRAFT IS SUBJECT TO PRIOR SALE, LEASE AND/OR REMOVAL FROM THE MARKET WITHOUT PRIOR NOTICE. JULY 2, 2024 10:02 AM

1998 Gulfstream V SN 530 N780W



SPECIFICATIONS ARE PROVIDED FOR INFORMATIONAL PURPOSES ONLY AND DO NOT CONSTITUTE REPRESENTATIONS OR WARRANTIES. THESE SPECIFICATIONS ARE SUBJECT TO BUYER'S INDEPENDENT VERIFICATION UPON INSPECTION. THE AIRCRAFT IS SUBJECT TO PRIOR SALE, LEASE AND/OR REMOVAL FROM THE MARKET WITHOUT PRIOR NOTICE. JULY 2, 2024 10:02 AM

1998 Gulfstream V SN 530 N780W



SPECIFICATIONS ARE PROVIDED FOR INFORMATIONAL PURPOSES ONLY AND DO NOT CONSTITUTE REPRESENTATIONS OR WARRANTIES. THESE SPECIFICATIONS ARE SUBJECT TO BUYER'S INDEPENDENT VERIFICATION UPON INSPECTION.
THE AIRCRAFT IS SUBJECT TO PRIOR SALE, LEASE AND/OR REMOVAL FROM THE MARKET WITHOUT PRIOR NOTICE. JULY 2, 2024 10:02 AM

AVPROJETS.COM
info@avprojets.com

900 Bestgate Road Suite 412 Annapolis, MD 21401
+1.410.573.1515

Eddie Kilkeary III
ekilkeary@avprojets.com

1998 Gulfstream V SN 530 N780W



SPECIFICATIONS ARE PROVIDED FOR INFORMATIONAL PURPOSES ONLY AND DO NOT CONSTITUTE REPRESENTATIONS OR WARRANTIES. THESE SPECIFICATIONS ARE SUBJECT TO BUYER'S INDEPENDENT VERIFICATION UPON INSPECTION.
THE AIRCRAFT IS SUBJECT TO PRIOR SALE, LEASE AND/OR REMOVAL FROM THE MARKET WITHOUT PRIOR NOTICE. JULY 2, 2024 10:02 AM

AVPROJETS.COM
info@avprojets.com

900 Bestgate Road Suite 412 Annapolis, MD 21401
+1.410.573.1515

Eddie Kilkeary III
ekilkeary@avprojets.com

1998 Gulfstream V SN 530 N780W



SPECIFICATIONS ARE PROVIDED FOR INFORMATIONAL PURPOSES ONLY AND DO NOT CONSTITUTE REPRESENTATIONS OR WARRANTIES. THESE SPECIFICATIONS ARE SUBJECT TO BUYER'S INDEPENDENT VERIFICATION UPON INSPECTION.
THE AIRCRAFT IS SUBJECT TO PRIOR SALE, LEASE AND/OR REMOVAL FROM THE MARKET WITHOUT PRIOR NOTICE. JULY 2, 2024 10:02 AM

AVPROJETS.COM
info@avprojets.com

900 Bestgate Road Suite 412 Annapolis, MD 21401
+1.410.573.1515

Eddie Kilkeary III
ekilkeary@avprojets.com

1998 Gulfstream V SN 530 N780W



SPECIFICATIONS ARE PROVIDED FOR INFORMATIONAL PURPOSES ONLY AND DO NOT CONSTITUTE REPRESENTATIONS OR WARRANTIES. THESE SPECIFICATIONS ARE SUBJECT TO BUYER'S INDEPENDENT VERIFICATION UPON INSPECTION.
THE AIRCRAFT IS SUBJECT TO PRIOR SALE, LEASE AND/OR REMOVAL FROM THE MARKET WITHOUT PRIOR NOTICE. JULY 2, 2024 10:02 AM

AVPROJETS.COM
info@avprojets.com

900 Bestgate Road Suite 412 Annapolis, MD 21401
+1.410.573.1515

Eddie Kilkeary III
ekilkeary@avprojets.com

1998 Gulfstream V SN 530 N780W



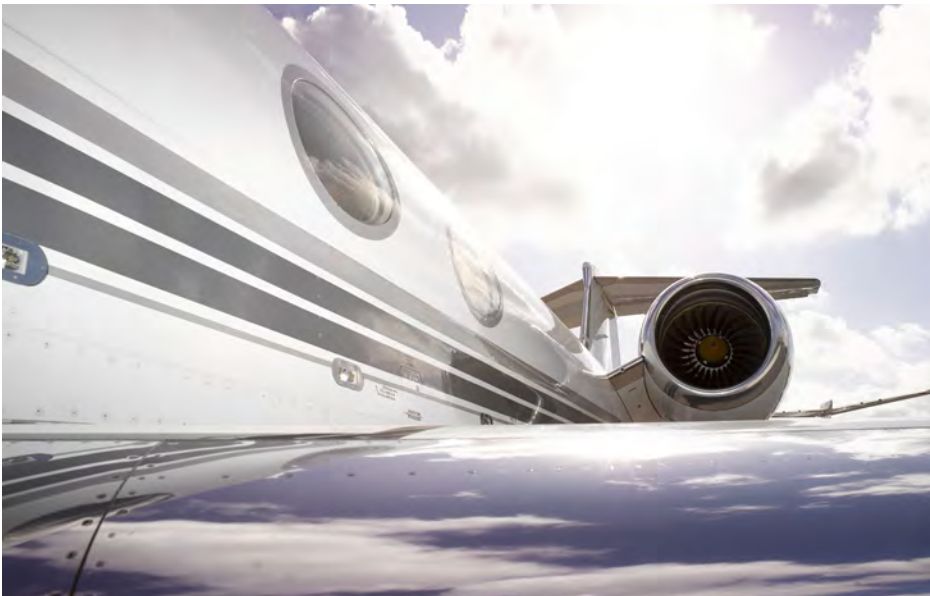
SPECIFICATIONS ARE PROVIDED FOR INFORMATIONAL PURPOSES ONLY AND DO NOT CONSTITUTE REPRESENTATIONS OR WARRANTIES. THESE SPECIFICATIONS ARE SUBJECT TO BUYER'S INDEPENDENT VERIFICATION UPON INSPECTION.
THE AIRCRAFT IS SUBJECT TO PRIOR SALE, LEASE AND/OR REMOVAL FROM THE MARKET WITHOUT PRIOR NOTICE. JULY 2, 2024 10:02 AM

AVPROJETS.COM
info@avprojets.com

900 Bestgate Road Suite 412 Annapolis, MD 21401
+1.410.573.1515

Eddie Kilkeary III
ekilkeary@avprojets.com

1998 Gulfstream V SN 530 N780W



SPECIFICATIONS ARE PROVIDED FOR INFORMATIONAL PURPOSES ONLY AND DO NOT CONSTITUTE REPRESENTATIONS OR WARRANTIES. THESE SPECIFICATIONS ARE SUBJECT TO BUYER'S INDEPENDENT VERIFICATION UPON INSPECTION.
THE AIRCRAFT IS SUBJECT TO PRIOR SALE, LEASE AND/OR REMOVAL FROM THE MARKET WITHOUT PRIOR NOTICE. JULY 2, 2024 10:02 AM

AVPROJETS.COM
info@avprojets.com

900 Bestgate Road Suite 412 Annapolis, MD 21401
+1.410.573.1515

Eddie Kilkeary III
ekilkeary@avprojets.com

1998 Gulfstream V SN 530 N780W



SPECIFICATIONS ARE PROVIDED FOR INFORMATIONAL PURPOSES ONLY AND DO NOT CONSTITUTE REPRESENTATIONS OR WARRANTIES. THESE SPECIFICATIONS ARE SUBJECT TO BUYER'S INDEPENDENT VERIFICATION UPON INSPECTION.
THE AIRCRAFT IS SUBJECT TO PRIOR SALE, LEASE AND/OR REMOVAL FROM THE MARKET WITHOUT PRIOR NOTICE. JULY 2, 2024 10:02 AM

AVPROJETS.COM
info@avprojets.com

900 Bestgate Road Suite 412 Annapolis, MD 21401
+1.410.573.1515

Eddie Kilkeary III
ekilkeary@avprojets.com

1998 Gulfstream V SN 530 N780W



SPECIFICATIONS ARE PROVIDED FOR INFORMATIONAL PURPOSES ONLY AND DO NOT CONSTITUTE REPRESENTATIONS OR WARRANTIES. THESE SPECIFICATIONS ARE SUBJECT TO BUYER'S INDEPENDENT VERIFICATION UPON INSPECTION.
THE AIRCRAFT IS SUBJECT TO PRIOR SALE, LEASE AND/OR REMOVAL FROM THE MARKET WITHOUT PRIOR NOTICE. JULY 2, 2024 10:02 AM

AVPROJETS.COM
info@avprojets.com

900 Bestgate Road Suite 412 Annapolis, MD 21401
+1.410.573.1515

Eddie Kilkeary III
ekilkeary@avprojets.com

1998 Gulfstream V SN 530 N780W



SPECIFICATIONS ARE PROVIDED FOR INFORMATIONAL PURPOSES ONLY AND DO NOT CONSTITUTE REPRESENTATIONS OR WARRANTIES. THESE SPECIFICATIONS ARE SUBJECT TO BUYER'S INDEPENDENT VERIFICATION UPON INSPECTION.
THE AIRCRAFT IS SUBJECT TO PRIOR SALE, LEASE AND/OR REMOVAL FROM THE MARKET WITHOUT PRIOR NOTICE. JULY 2, 2024 10:02 AM

AVPROJETS.COM
info@avprojets.com

900 Bestgate Road Suite 412 Annapolis, MD 21401
+1.410.573.1515

Eddie Kilkeary III
ekilkeary@avprojets.com

1998 Gulfstream V SN 530 N780W



SPECIFICATIONS ARE PROVIDED FOR INFORMATIONAL PURPOSES ONLY AND DO NOT CONSTITUTE REPRESENTATIONS OR WARRANTIES. THESE SPECIFICATIONS ARE SUBJECT TO BUYER'S INDEPENDENT VERIFICATION UPON INSPECTION.
THE AIRCRAFT IS SUBJECT TO PRIOR SALE, LEASE AND/OR REMOVAL FROM THE MARKET WITHOUT PRIOR NOTICE. JULY 2, 2024 10:02 AM

AVPROJETS.COM
info@avprojets.com

900 Bestgate Road Suite 412 Annapolis, MD 21401
+1.410.573.1515

Eddie Kilkeary III
ekilkeary@avprojets.com

1998 Gulfstream V SN 530 N780W



SPECIFICATIONS ARE PROVIDED FOR INFORMATIONAL PURPOSES ONLY AND DO NOT CONSTITUTE REPRESENTATIONS OR WARRANTIES. THESE SPECIFICATIONS ARE SUBJECT TO BUYER'S INDEPENDENT VERIFICATION UPON INSPECTION.
THE AIRCRAFT IS SUBJECT TO PRIOR SALE, LEASE AND/OR REMOVAL FROM THE MARKET WITHOUT PRIOR NOTICE. JULY 2, 2024 10:02 AM

AVPROJETS.COM
info@avprojets.com

900 Bestgate Road Suite 412 Annapolis, MD 21401
+1.410.573.1515

Eddie Kilkeary III
ekilkeary@avprojets.com

1998 Gulfstream V SN 530 N780W



SPECIFICATIONS ARE PROVIDED FOR INFORMATIONAL PURPOSES ONLY AND DO NOT CONSTITUTE REPRESENTATIONS OR WARRANTIES. THESE SPECIFICATIONS ARE SUBJECT TO BUYER'S INDEPENDENT VERIFICATION UPON INSPECTION.
THE AIRCRAFT IS SUBJECT TO PRIOR SALE, LEASE AND/OR REMOVAL FROM THE MARKET WITHOUT PRIOR NOTICE. JULY 2, 2024 10:02 AM

AVPROJETS.COM
info@avprojets.com

900 Bestgate Road Suite 412 Annapolis, MD 21401
+1.410.573.1515

Eddie Kilkeary III
ekilkeary@avprojets.com

1998 Gulfstream V SN 530 N780W



SPECIFICATIONS ARE PROVIDED FOR INFORMATIONAL PURPOSES ONLY AND DO NOT CONSTITUTE REPRESENTATIONS OR WARRANTIES. THESE SPECIFICATIONS ARE SUBJECT TO BUYER'S INDEPENDENT VERIFICATION UPON INSPECTION.
THE AIRCRAFT IS SUBJECT TO PRIOR SALE, LEASE AND/OR REMOVAL FROM THE MARKET WITHOUT PRIOR NOTICE. JULY 2, 2024 10:02 AM

AVPROJETS.COM
info@avprojets.com

900 Bestgate Road Suite 412 Annapolis, MD 21401
+1.410.573.1515

Eddie Kilkeary III
ekilkeary@avprojets.com

1998 Gulfstream V SN 530 N780W



SPECIFICATIONS ARE PROVIDED FOR INFORMATIONAL PURPOSES ONLY AND DO NOT CONSTITUTE REPRESENTATIONS OR WARRANTIES. THESE SPECIFICATIONS ARE SUBJECT TO BUYER'S INDEPENDENT VERIFICATION UPON INSPECTION.
THE AIRCRAFT IS SUBJECT TO PRIOR SALE, LEASE AND/OR REMOVAL FROM THE MARKET WITHOUT PRIOR NOTICE. JULY 2, 2024 10:02 AM

AVPROJETS.COM
info@avprojets.com

900 Bestgate Road Suite 412 Annapolis, MD 21401
+1.410.573.1515

Eddie Kilkeary III
ekilkeary@avprojets.com

1998 Gulfstream V SN 530 N780W



SPECIFICATIONS ARE PROVIDED FOR INFORMATIONAL PURPOSES ONLY AND DO NOT CONSTITUTE REPRESENTATIONS OR WARRANTIES. THESE SPECIFICATIONS ARE SUBJECT TO BUYER'S INDEPENDENT VERIFICATION UPON INSPECTION.
THE AIRCRAFT IS SUBJECT TO PRIOR SALE, LEASE AND/OR REMOVAL FROM THE MARKET WITHOUT PRIOR NOTICE. JULY 2, 2024 10:02 AM

AVPROJETS.COM
info@avprojets.com

900 Bestgate Road Suite 412 Annapolis, MD 21401
+1.410.573.1515

Eddie Kilkeary III
ekilkeary@avprojets.com

1998 Gulfstream V SN 530 N780W



SPECIFICATIONS ARE PROVIDED FOR INFORMATIONAL PURPOSES ONLY AND DO NOT CONSTITUTE REPRESENTATIONS OR WARRANTIES. THESE SPECIFICATIONS ARE SUBJECT TO BUYER'S INDEPENDENT VERIFICATION UPON INSPECTION.
THE AIRCRAFT IS SUBJECT TO PRIOR SALE, LEASE AND/OR REMOVAL FROM THE MARKET WITHOUT PRIOR NOTICE. JULY 2, 2024 10:02 AM

AVPROJETS.COM
info@avprojets.com

900 Bestgate Road Suite 412 Annapolis, MD 21401
+1.410.573.1515

Eddie Kilkeary III
ekilkeary@avprojets.com

1998 Gulfstream V SN 530 N780W



SPECIFICATIONS ARE PROVIDED FOR INFORMATIONAL PURPOSES ONLY AND DO NOT CONSTITUTE REPRESENTATIONS OR WARRANTIES. THESE SPECIFICATIONS ARE SUBJECT TO BUYER'S INDEPENDENT VERIFICATION UPON INSPECTION.
THE AIRCRAFT IS SUBJECT TO PRIOR SALE, LEASE AND/OR REMOVAL FROM THE MARKET WITHOUT PRIOR NOTICE. JULY 2, 2024 10:02 AM

AVPROJETS.COM
info@avprojets.com

900 Bestgate Road Suite 412 Annapolis, MD 21401
+1.410.573.1515

Eddie Kilkeary III
ekilkeary@avprojets.com

1998 Gulfstream V SN 530 N780W



SPECIFICATIONS ARE PROVIDED FOR INFORMATIONAL PURPOSES ONLY AND DO NOT CONSTITUTE REPRESENTATIONS OR WARRANTIES. THESE SPECIFICATIONS ARE SUBJECT TO BUYER'S INDEPENDENT VERIFICATION UPON INSPECTION.
THE AIRCRAFT IS SUBJECT TO PRIOR SALE, LEASE AND/OR REMOVAL FROM THE MARKET WITHOUT PRIOR NOTICE. JULY 2, 2024 10:02 AM

AVPROJETS.COM
info@avprojets.com

900 Bestgate Road Suite 412 Annapolis, MD 21401
+1.410.573.1515

Eddie Kilkeary III
ekilkeary@avprojets.com

1998 Gulfstream V SN 530 N780W



SPECIFICATIONS ARE PROVIDED FOR INFORMATIONAL PURPOSES ONLY AND DO NOT CONSTITUTE REPRESENTATIONS OR WARRANTIES. THESE SPECIFICATIONS ARE SUBJECT TO BUYER'S INDEPENDENT VERIFICATION UPON INSPECTION.
THE AIRCRAFT IS SUBJECT TO PRIOR SALE, LEASE AND/OR REMOVAL FROM THE MARKET WITHOUT PRIOR NOTICE. JULY 2, 2024 10:02 AM

AVPROJETS.COM
info@avprojets.com

900 Bestgate Road Suite 412 Annapolis, MD 21401
+1.410.573.1515

Eddie Kilkeary III
ekilkeary@avprojets.com

1998 Gulfstream V SN 530 N780W



SPECIFICATIONS ARE PROVIDED FOR INFORMATIONAL PURPOSES ONLY AND DO NOT CONSTITUTE REPRESENTATIONS OR WARRANTIES. THESE SPECIFICATIONS ARE SUBJECT TO BUYER'S INDEPENDENT VERIFICATION UPON INSPECTION.
THE AIRCRAFT IS SUBJECT TO PRIOR SALE, LEASE AND/OR REMOVAL FROM THE MARKET WITHOUT PRIOR NOTICE. JULY 2, 2024 10:02 AM

AVPROJETS.COM
info@avprojets.com

900 Bestgate Road Suite 412 Annapolis, MD 21401
+1.410.573.1515

Eddie Kilkeary III
ekilkeary@avprojets.com

1998 Gulfstream V SN 530 N780W



SPECIFICATIONS ARE PROVIDED FOR INFORMATIONAL PURPOSES ONLY AND DO NOT CONSTITUTE REPRESENTATIONS OR WARRANTIES. THESE SPECIFICATIONS ARE SUBJECT TO BUYER'S INDEPENDENT VERIFICATION UPON INSPECTION.
THE AIRCRAFT IS SUBJECT TO PRIOR SALE, LEASE AND/OR REMOVAL FROM THE MARKET WITHOUT PRIOR NOTICE. JULY 2, 2024 10:02 AM

AVPROJETS.COM
info@avprojets.com

900 Bestgate Road Suite 412 Annapolis, MD 21401
+1.410.573.1515

Eddie Kilkeary III
ekilkeary@avprojets.com

1998 Gulfstream V SN 530 N780W



SPECIFICATIONS ARE PROVIDED FOR INFORMATIONAL PURPOSES ONLY AND DO NOT CONSTITUTE REPRESENTATIONS OR WARRANTIES. THESE SPECIFICATIONS ARE SUBJECT TO BUYER'S INDEPENDENT VERIFICATION UPON INSPECTION.
THE AIRCRAFT IS SUBJECT TO PRIOR SALE, LEASE AND/OR REMOVAL FROM THE MARKET WITHOUT PRIOR NOTICE. JULY 2, 2024 10:02 AM

AVPROJETS.COM
info@avprojets.com

900 Bestgate Road Suite 412 Annapolis, MD 21401
+1.410.573.1515

Eddie Kilkeary III
ekilkeary@avprojets.com

1998 Gulfstream V SN 530 N780W



SPECIFICATIONS ARE PROVIDED FOR INFORMATIONAL PURPOSES ONLY AND DO NOT CONSTITUTE REPRESENTATIONS OR WARRANTIES. THESE SPECIFICATIONS ARE SUBJECT TO BUYER'S INDEPENDENT VERIFICATION UPON INSPECTION.
THE AIRCRAFT IS SUBJECT TO PRIOR SALE, LEASE AND/OR REMOVAL FROM THE MARKET WITHOUT PRIOR NOTICE. JULY 2, 2024 10:02 AM

AVPROJETS.COM
info@avprojets.com

900 Bestgate Road Suite 412 Annapolis, MD 21401
+1.410.573.1515

Eddie Kilkeary III
ekilkeary@avprojets.com

1998 Gulfstream V SN 530 N780W



SPECIFICATIONS ARE PROVIDED FOR INFORMATIONAL PURPOSES ONLY AND DO NOT CONSTITUTE REPRESENTATIONS OR WARRANTIES. THESE SPECIFICATIONS ARE SUBJECT TO BUYER'S INDEPENDENT VERIFICATION UPON INSPECTION.
THE AIRCRAFT IS SUBJECT TO PRIOR SALE, LEASE AND/OR REMOVAL FROM THE MARKET WITHOUT PRIOR NOTICE. JULY 2, 2024 10:02 AM

AVPROJETS.COM
info@avprojets.com

900 Bestgate Road Suite 412 Annapolis, MD 21401
+1.410.573.1515

Eddie Kilkeary III
ekilkeary@avprojets.com

1998 Gulfstream V SN 530 N780W



SPECIFICATIONS ARE PROVIDED FOR INFORMATIONAL PURPOSES ONLY AND DO NOT CONSTITUTE REPRESENTATIONS OR WARRANTIES. THESE SPECIFICATIONS ARE SUBJECT TO BUYER'S INDEPENDENT VERIFICATION UPON INSPECTION.
THE AIRCRAFT IS SUBJECT TO PRIOR SALE, LEASE AND/OR REMOVAL FROM THE MARKET WITHOUT PRIOR NOTICE. JULY 2, 2024 10:02 AM

AVPROJETS.COM
info@avprojets.com

900 Bestgate Road Suite 412 Annapolis, MD 21401
+1.410.573.1515

Eddie Kilkeary III
ekilkeary@avprojets.com



AVPRO INC.

CELEBRATING OVER **30** YEARS OF EXCELLENCE

We perform for our clients, averaging two transactions a week.

We match aircraft to your specifications in a professional and timely manner, allowing you to concentrate on your business, leaving the important details of marketing, market research, negotiating and contracting to us.

Avpro offers aircraft financing advisory services. We have the expertise to navigate the appropriate structure, costs and terms to help you meet your objectives. We are ready to provide advice, analysis and sourcing of the lender best suited to meet your requirements.

SERVING CUSTOMERS
AROUND THE GLOBE

Talk to Us

info@avprojets.com

+1.410.573.1515

Connect with Us

