

2013 Bombardier SN 9558

Global 5000



MANAGING PARTNER

Bob Rabbitt

brabbitt@avprojets.com

+1.410.573.1515

AVPRO INC.
www.avprojets.com

2013 Global 5000 SN 9558 N468GC

Aircraft Listing Details:

Total Hours: 3694

Total Landings: 1766

Engines: Rolls Royce BR700-710A2-20

	#1	#2
Total Hours:	3683	3683
Engine Cycles:	1765	1765
Serial Numbers:	22267	22266

APU: Honeywell RE220 (GX)

Total Hours: 2970
Total Cycles: 3295
Serial Number: P-689

Aircraft Highlights:

- One U.S. Corporate Owner Since New
- Global Vision Flight Deck
- Fresh 8C/10 Year Inspection by Bombardier Tucson, March 2024
- XM Graphical Weather
- Engines on Rolls Royce Corporate Care
- APU on Honeywell MSP
- Airframe on Smart Parts

Avionics:

- Rockwell Collins 4-Tube EFIS 14x11" LCD Displays
- Dual Integrated AFCS Flight Director, Autopilot, Autothrottle
- Bombardier Enhanced Vision System (EVS)
- Rockwell Collins Head Up Display (HUD)
- Rockwell Collins Synthetic Vision System (SVS)
- Flight Crew Emergency Vision Assurance System (EVAS)
- Dual Rockwell Collins NAV-4000 NAVs
- Dual Rockwell Collins ADFs
- Dual Rockwell Collins DME-4000 DMEs
- Triple Rockwell Collins ADC-3020 ADCs
- Triple Rockwell Collins VHF-4000 VHF
- Dual Rockwell Collins HA-9031A HF
- Dual Rockwell Collins SELCAL
- Dual Rockwell Collins TDDR-94D Transponders
- Triple Rockwell Collins FMS
- Dual Rockwell Collins GPS-4000 w/WAAS
- Triple Honeywell Laseref VI
- SMS-5000 Surface Management System (SMS)
- XM Graphical Weather System
- Datalink Graphical Weather System
- Rockwell Collins Lightning Detection System
- Dual Rockwell Collins ALT-4000 Radar Altimeter
- Rockwell Collins TSS-4100 TCAS w/Change 7.1
- L3 Comms FA2100 Cockpit Voice Recorder (CVR) 120 Minutes
- L3 Comms FA2100 Flight Data Recorder (FDR)

SPECIFICATIONS ARE PROVIDED FOR INFORMATIONAL PURPOSES ONLY AND DO NOT CONSTITUTE REPRESENTATIONS OR WARRANTIES. THESE SPECIFICATIONS ARE SUBJECT TO BUYER'S INDEPENDENT VERIFICATION UPON INSPECTION.
THE AIRCRAFT IS SUBJECT TO PRIOR SALE, LEASE AND/OR REMOVAL FROM THE MARKET WITHOUT PRIOR NOTICE. SEPTEMBER 6, 2024 11:55 AM

2013 Global 5000 SN 9558 N468GC

Connectivity:

- Gogo L5 AVANCE
 - JetConneX KA Band High Speed Data
 - Dual Channel Swift Broadband
-

Entertainment:

- Ethernet-Based Cabin Electronic System
 - 24"HD Monitor (Custom Credenza)
 - Galley Touch Screen Monitor
 - Wireless PCU, RJ-45 & Headphone Jacks
-

Maintenance Programs:

- Engines on Rolls Royce Corporate Care
- APU on Honeywell MSP
- Airframe on Smart Parts

Inspection Status:

<i>Inspection</i>	<i>Compliance</i>	<i>Next Due</i>
15 Month	September 2023	February 2025
30 Month	March 2024	September 2026
60 Month	March 2024	March 2029
120 Month & Gear OH	March 2024	March 2034

Navigation Compliance:

- Operations at Airports w/Max Weight Restrictions
- Bombardier Enhanced Vision System (EVS)
- Rockwell Collins Head Up Display (HUD)
- Rockwell Collins Synthetic Vision System (SVS)
- Head Up Display (HUD)
- ADS-B Out, FANS 1/A
- ATN & CPDLC Capability
- WAAS / LPV
- RVSM/RNP

SPECIFICATIONS ARE PROVIDED FOR INFORMATIONAL PURPOSES ONLY AND DO NOT CONSTITUTE REPRESENTATIONS OR WARRANTIES. THESE SPECIFICATIONS ARE SUBJECT TO BUYER'S INDEPENDENT VERIFICATION UPON INSPECTION.
THE AIRCRAFT IS SUBJECT TO PRIOR SALE, LEASE AND/OR REMOVAL FROM THE MARKET WITHOUT PRIOR NOTICE. SEPTEMBER 6, 2024 11:55 AM

Features/Options:

- Crew Force Measurement System (FAR Part 135 Operation)
- Quick Access Recorder
- Quick Donning Oxygen Masks
- Four (4) Factory 50 Cu. Ft. Oxygen Bottles
- Therapeutic Oxygen
- Passenger Service Units (PSU)
- Pylon Lights
- Conformal Water Tank
- Universal Electrical Outlets
- Utility Grade Outlet (Baggage Compartment)
- 115VAC 60Hz Power Converter (Galley)
- Additional Coffee Maker, Manual Fill

Interior: Exquisite Thirteen (13) Passenger & Three (3) Crew Floorplan w/Enhanced Soundproofing.

With a focus on both luxury and functionality, every detail was carefully considered to ensure comfort and convenience for passengers. From the oversized galley and galley annex to the thoughtful features like the rain deflector and canopy at the main entrance, it's evident that this aircraft prioritizes both style and practicality.

The extended galley provides ample space for food preparation, while the different cabin zones offer a variety of seating arrangements to accommodate various needs and preferences. Whether passengers prefer a cozy club setting, a more formal conference setup, or a comfortable divan for relaxation, there's something for everyone.

The inclusion of a large LCD monitor and a Hi-Lo conference table in zone two provides a well-equipped setting for business meetings or entertainment during flights. The enlarged aft passenger lavatory adds an extra touch of comfort and convenience.

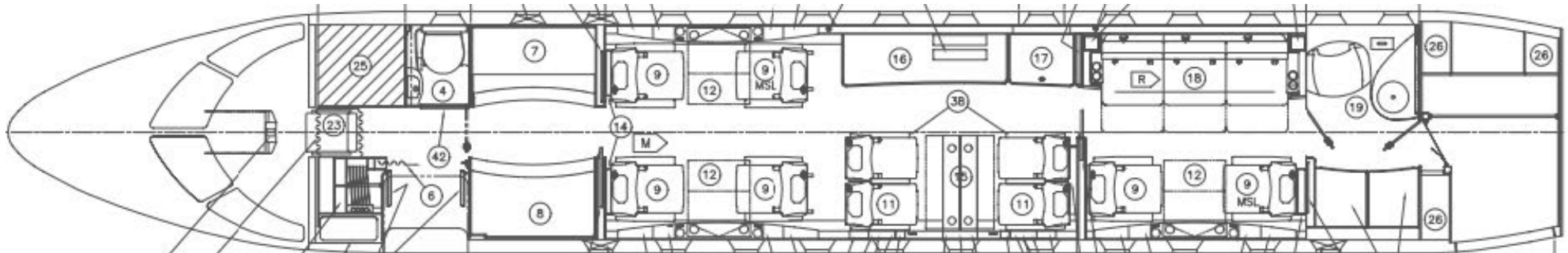
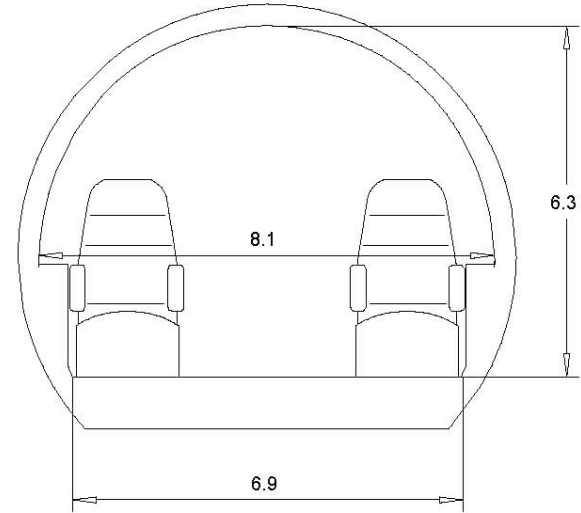
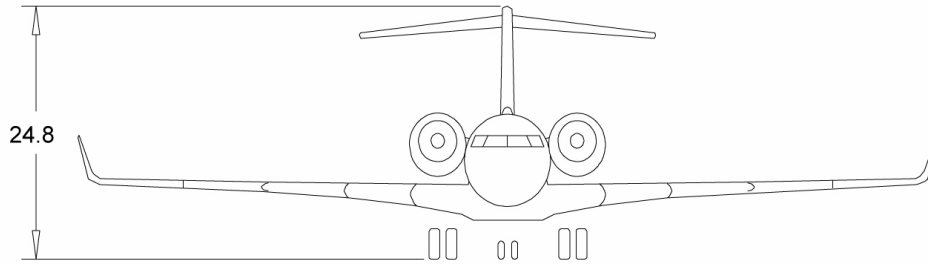
- Zone 1: Four (4) Place Club
- Zone 2: Custom Credenza w/24" LCD Monitor Opposite a Four (4) Place Conference Group
- Zone 3: Three (3) Place 16G Berthable Divan Opposite a Two (2) Place Club

Cabinetry Sapele Gloss
Plating Satin Chrome Colored
Countertops Night Sky Corian
Headliner Toast Colored Tapis Suede
Seating Townsend Leather

Exterior: Snow White Upper Fuselage, Outer Space (Dark Gray) Lower Fuselage w/Medium Gray Accent Striping.

SPECIFICATIONS ARE PROVIDED FOR INFORMATIONAL PURPOSES ONLY AND DO NOT CONSTITUTE REPRESENTATIONS OR WARRANTIES. THESE SPECIFICATIONS ARE SUBJECT TO BUYER'S INDEPENDENT VERIFICATION UPON INSPECTION.
THE AIRCRAFT IS SUBJECT TO PRIOR SALE, LEASE AND/OR REMOVAL FROM THE MARKET WITHOUT PRIOR NOTICE. SEPTEMBER 6, 2024 11:55 AM

2013 Global 5000 SN 9558 N468GC



SPECIFICATIONS ARE PROVIDED FOR INFORMATIONAL PURPOSES ONLY AND DO NOT CONSTITUTE REPRESENTATIONS OR WARRANTIES. THESE SPECIFICATIONS ARE SUBJECT TO BUYER'S INDEPENDENT VERIFICATION UPON INSPECTION.
THE AIRCRAFT IS SUBJECT TO PRIOR SALE, LEASE AND/OR REMOVAL FROM THE MARKET WITHOUT PRIOR NOTICE. SEPTEMBER 6, 2024 11:55 AM

2013 Global 5000 SN 9558 N468GC



SPECIFICATIONS ARE PROVIDED FOR INFORMATIONAL PURPOSES ONLY AND DO NOT CONSTITUTE REPRESENTATIONS OR WARRANTIES. THESE SPECIFICATIONS ARE SUBJECT TO BUYER'S INDEPENDENT VERIFICATION UPON INSPECTION.
THE AIRCRAFT IS SUBJECT TO PRIOR SALE, LEASE AND/OR REMOVAL FROM THE MARKET WITHOUT PRIOR NOTICE. SEPTEMBER 6, 2024 11:55 AM

AVPROJETS.COM
info@avprojets.com

900 Bestgate Road Suite 412 Annapolis, MD 21401
+1.410.573.1515

Bob Rabbitt
brabbitt@avprojets.com

2013 Global 5000 SN 9558 N468GC



SPECIFICATIONS ARE PROVIDED FOR INFORMATIONAL PURPOSES ONLY AND DO NOT CONSTITUTE REPRESENTATIONS OR WARRANTIES. THESE SPECIFICATIONS ARE SUBJECT TO BUYER'S INDEPENDENT VERIFICATION UPON INSPECTION.
THE AIRCRAFT IS SUBJECT TO PRIOR SALE, LEASE AND/OR REMOVAL FROM THE MARKET WITHOUT PRIOR NOTICE. SEPTEMBER 6, 2024 11:55 AM

AVPROJETS.COM
info@avprojets.com

900 Bestgate Road Suite 412 Annapolis, MD 21401
+1.410.573.1515

Bob Rabbitt
brabbitt@avprojets.com

2013 Global 5000 SN 9558 N468GC



SPECIFICATIONS ARE PROVIDED FOR INFORMATIONAL PURPOSES ONLY AND DO NOT CONSTITUTE REPRESENTATIONS OR WARRANTIES. THESE SPECIFICATIONS ARE SUBJECT TO BUYER'S INDEPENDENT VERIFICATION UPON INSPECTION.
THE AIRCRAFT IS SUBJECT TO PRIOR SALE, LEASE AND/OR REMOVAL FROM THE MARKET WITHOUT PRIOR NOTICE. SEPTEMBER 6, 2024 11:55 AM

AVPROJETS.COM
info@avprojets.com

900 Bestgate Road Suite 412 Annapolis, MD 21401
+1.410.573.1515

Bob Rabbitt
brabbitt@avprojets.com

2013 Global 5000 SN 9558 N468GC



SPECIFICATIONS ARE PROVIDED FOR INFORMATIONAL PURPOSES ONLY AND DO NOT CONSTITUTE REPRESENTATIONS OR WARRANTIES. THESE SPECIFICATIONS ARE SUBJECT TO BUYER'S INDEPENDENT VERIFICATION UPON INSPECTION.
THE AIRCRAFT IS SUBJECT TO PRIOR SALE, LEASE AND/OR REMOVAL FROM THE MARKET WITHOUT PRIOR NOTICE. SEPTEMBER 6, 2024 11:55 AM

AVPROJETS.COM
info@avprojets.com

900 Bestgate Road Suite 412 Annapolis, MD 21401
+1.410.573.1515

Bob Rabbitt
brabbitt@avprojets.com

2013 Global 5000 SN 9558 N468GC



SPECIFICATIONS ARE PROVIDED FOR INFORMATIONAL PURPOSES ONLY AND DO NOT CONSTITUTE REPRESENTATIONS OR WARRANTIES. THESE SPECIFICATIONS ARE SUBJECT TO BUYER'S INDEPENDENT VERIFICATION UPON INSPECTION.
THE AIRCRAFT IS SUBJECT TO PRIOR SALE, LEASE AND/OR REMOVAL FROM THE MARKET WITHOUT PRIOR NOTICE. SEPTEMBER 6, 2024 11:55 AM

AVPROJETS.COM
info@avprojets.com

900 Bestgate Road Suite 412 Annapolis, MD 21401
+1.410.573.1515

Bob Rabbitt
brabbitt@avprojets.com

2013 Global 5000 SN 9558 N468GC



SPECIFICATIONS ARE PROVIDED FOR INFORMATIONAL PURPOSES ONLY AND DO NOT CONSTITUTE REPRESENTATIONS OR WARRANTIES. THESE SPECIFICATIONS ARE SUBJECT TO BUYER'S INDEPENDENT VERIFICATION UPON INSPECTION.
THE AIRCRAFT IS SUBJECT TO PRIOR SALE, LEASE AND/OR REMOVAL FROM THE MARKET WITHOUT PRIOR NOTICE. SEPTEMBER 6, 2024 11:55 AM

AVPROJETS.COM
info@avprojets.com

900 Bestgate Road Suite 412 Annapolis, MD 21401
+1.410.573.1515

Bob Rabbitt
brabbitt@avprojets.com

2013 Global 5000 SN 9558 N468GC



SPECIFICATIONS ARE PROVIDED FOR INFORMATIONAL PURPOSES ONLY AND DO NOT CONSTITUTE REPRESENTATIONS OR WARRANTIES. THESE SPECIFICATIONS ARE SUBJECT TO BUYER'S INDEPENDENT VERIFICATION UPON INSPECTION.
THE AIRCRAFT IS SUBJECT TO PRIOR SALE, LEASE AND/OR REMOVAL FROM THE MARKET WITHOUT PRIOR NOTICE. SEPTEMBER 6, 2024 11:55 AM

AVPROJETS.COM
info@avprojets.com

900 Bestgate Road Suite 412 Annapolis, MD 21401
+1.410.573.1515

Bob Rabbitt
brabbitt@avprojets.com



AVPRO INC.

CELEBRATING OVER **30** YEARS OF EXCELLENCE

We perform for our clients, averaging two transactions a week.

We match aircraft to your specifications in a professional and timely manner, allowing you to concentrate on your business, leaving the important details of marketing, market research, negotiating and contracting to us.

Avpro offers aircraft financing advisory services. We have the expertise to navigate the appropriate structure, costs and terms to help you meet your objectives. We are ready to provide advice, analysis and sourcing of the lender best suited to meet your requirements.

SERVING CUSTOMERS
AROUND THE GLOBE

Talk to Us

info@avprojets.com

+1.410.573.1515

Connect with Us

