

2020 Dassault ^{SN} 322

Falcon 900LX



CLICK TO VIEW
VIRTUAL TOUR



AVPRO INC.
www.avprojets.com

EXECUTIVE SALES DIRECTOR

Mike Caruso
mcaruso@avprojets.com
+1.410.573.1515

2020 Falcon 900LX SN 322 N322FJ

Aircraft Listing Details:

Total Hours: 1794
Total Landings: 668

Engines: Honeywell TFE731-60

	#1	#2	#3
Total Hours:	1794	1794	1794
Engine Cycles:	668	668	668
Serial Numbers:	P-134276	P-134268	P-134273

APU: Honeywell GTCP36-150F

Total Hours: 723
Serial Number: P-682

Aircraft Highlights:

- Outstanding One Owner US Pedigree
- Fresh 12 & 24 Month Inspections – Oct 2024 by Dassault
- Fresh Pre-Purchase Evaluation – Oct 2024 by Dassault
- Available for Year End Bonus Depreciation
- Factory Warranty Remaining
- Beautiful Cosmetics in Excellent Condition
- Preferred 14 Passenger Interior Configuration
- Full Programs – FalconCare Elite & MSP Gold

Loaded with Optional Equipment:

- FalconEye Combined Vision System (HUD + EVS + SVS)
- Ka-Band Satcom & High Speed Streaming Internet
- CPDLC with FANS-1/A+ & ATN-B1
- SBAS / LPV
- Honeywell SmartRunway RAAS
- 88 Parameter FDR

Avionics:

- Falcon EASy II Flight Deck
- Honeywell Flight Display & Management w/ 4 LCD Units + 2 Cursor Control Devices
- Honeywell Flight Control System with Auto Throttle
- Honeywell Communications Management Function (CMF) w/ FalconConnect
- Honeywell Central Maintenance Computer
- Honeywell Enhanced Avionics System – EASy II Cert 4 Upgrade w/ Push-to-Load Function
- FalconEye Combined Vision System
 - FalconEye Head-up Display (HUD) + Head-up Synthetic Vision System (SVS)
 - FalconEye Enhanced Vision System (EVS) + Combined Vision System (CVS)
- Honeywell Electronic Jeppesen Chart Capability
- Dual Honeywell TR-866B VHF Communication Radios (COMM)
- Third Honeywell TR-866B VDR (VHF Mode 2 Data Radio) VHF Voice & Flight Deck Data Link Communications System
- Dual Honeywell VOR/ILS/Marker Navigation System (NAV)
- Dual Honeywell Mode S Transponders (ADS-B Out ready)
- Dual Honeywell DF-855 Automatic Direction Finder (ADF)
- Dual Honeywell DM-855 Distance Measuring Equipment (DME)
- Dual Honeywell AZ-200 Air Data Computer (ADC)
- Dual Honeywell MAU-920 Modular Avionics Unit (MAU)
- Dual Honeywell Flight Management Systems (FMS)
- Dual Honeywell GPS (SBAS capable)
- Triple Honeywell Laseref V Micro Inertial Reference Systems (IRS)
- Triple Honeywell AV-900 Audio System (req'd for FAR Part 135)
- Dual Rockwell Collins HF-9034A HF w/SELCAL
- Honeywell Primus 880 Weather Radar
- Honeywell RT-300 Radio Altimeter
- Honeywell EASy EGPWS w/Windshear

SPECIFICATIONS ARE PROVIDED FOR INFORMATIONAL PURPOSES ONLY AND DO NOT CONSTITUTE REPRESENTATIONS OR WARRANTIES. THESE SPECIFICATIONS ARE SUBJECT TO BUYER'S INDEPENDENT VERIFICATION UPON INSPECTION.
THE AIRCRAFT IS SUBJECT TO PRIOR SALE, LEASE AND/OR REMOVAL FROM THE MARKET WITHOUT PRIOR NOTICE. SEPTEMBER 13, 2024 2:01 PM

2020 Falcon 900LX SN 322 N322FJ

Avionics: *(cont'd)*

- ACCS TCAS 3000 w/Change 7.1
 - Honeywell SS Cockpit Voice Recorder (SSCVR)
 - CVR - Recorder Independent Power Supply (RIPS) Requirement
 - Honeywell Flight Data Recorder Upgrade to 88 Parameters
 - CMC CMA-1310 PilotView Electronic Flight Bags w/ Side Console Mount (pilot & copilot)
 - ELTA ADT-406 Emergency Locator (ELT) w/ Nav System Interface
 - Iridium Solution for Cockpit Data (FANS 1/A, AFIS)
 - Smiths Standby Magnetic Compass
 - Meggitt MK2 Secondary Flight Display
 - FalconBroadcast
-

Next Gen Avionics Upgrades:

- Enhanced Avionics System
 - EASy II Cert 4 w/ Push-to-Load Function
 - FalconEye Combined Vision System (HUD + EVS + SVS)
 - Honeywell SmartView Synthetic Vision System (SVS)
 - FANS-1/A+ Datalink (CPDLC & ADS-C)
 - ATN-B1 Datalink (Protected Mode CPDLC)
 - SBAS/LPV
 - Honeywell SmartRunway RAAS
 - VDR 3 Module Capable of VDL Mode 2
 - ADS-B Out
-

Safety of Flight Benefits:

900LX w/FalconEye Combined Vision System

- Falcon 900LX is certified for CAT II approaches & RNP AR (Authorization Required) approaches w/RF (Radius to Fix) legs down to RNP .3 MINIMA
- FalconEye HUD qualifies for Operational Credit down to 100 feet TDZE (Touch Down Zone Elevation)
- Steep approaches up to 6 degrees are approved (ex. London City)

Cabin Entertainment / Management System:

- Rockwell Collins Falcon Cabin Management System (FCMS)
- Rockwell Collins Airshow 4000 Cabin / Flight Deck Display
- Rockwell Collins 3D Interactive Map Database
- Rockwell Collins 22" Widescreen HD LED Backlit Forward Bulkhead Monitor
- Rockwell Collins 22" Widescreen HD LED Backlit Aft Bulkhead Monitor
- Rockwell Collins 10.1" Widescreen LED Backlit Touch Screen Galley/ Entertainment Control
- Rockwell Collins Touch Panel Controls
- Rockwell Collins Media Server Unit (MSU) w/Dedicated USB
- USB Charging, HDMI & Audio Jack Ports Throughout
- PGA Hard Button Cabin controls with Plated Bezels
- iPad (Remote Control) w/ U.S. Power Supply Plug
- Six (6) Plug-In Retractable iPad Arms
- Three (3) iPads
- Two (2) Alto Amplifiers
- Six (6) Alto Speakers
- Three (3) Alto Subwoofer Speakers
- One (1) Alto Speaker in Lavatory
- Eight (8) Bose Noise Canceling Stereo Headsets

SPECIFICATIONS ARE PROVIDED FOR INFORMATIONAL PURPOSES ONLY AND DO NOT CONSTITUTE REPRESENTATIONS OR WARRANTIES. THESE SPECIFICATIONS ARE SUBJECT TO BUYER'S INDEPENDENT VERIFICATION UPON INSPECTION. THE AIRCRAFT IS SUBJECT TO PRIOR SALE, LEASE AND/OR REMOVAL FROM THE MARKET WITHOUT PRIOR NOTICE. SEPTEMBER 16, 2024 10:05 AM

2020 Falcon 900LX SN 322 N322FJ

Connectivity:

- Honeywell JetWave Ka-Band MCS 8000 Satcom & High Speed Streaming Internet

Features/Options:

- Enlarged Oxygen Bottle (115 Cu. Ft.)
- Three (3) EROS One-Piece Convertible Full-Face Masks w/ Removeable Goggles
- Smoke Hood Crew-Type (1 Each)
- Two (2) Winslow Life Rafts (12-man) w/ 406 ELT Emergency Transceiver & Storage Provisions
- Honeywell Flight Deck Video Interface
- KGS Electronics 115 VAC 60 Hz 2000VA Inverter w/Eleven (11) Outlets
- Main Batteries Charging from GPU
- Avionics Master System
- Cabin & Galley Masters
- Cabin Temp Indicating System
- Telescoping Tow Bar Installation
- Second Main Entry Door (MED) Handrail
- Two (2) Teleflex Recognition Lights
- Two (2) DME Corp Rechargeable Flashlights

Inspection Status:

Fresh Inspections by Dassault-St. Louis, October 21 input: 12 & 24 Month, 800 & 1600 Hour, Pre-Purchase Evaluation (all options selected)

<i>Inspection</i>	<i>Complied With</i>	<i>Next Due</i>
12 Mo/800 hrs	Oct 2024/ ~1800 hrs	Oct 2025/ ~2600 hrs
24 Mo/1600 hrs	Oct 2024/ ~1800 hrs	Oct 2026/ ~3400 hrs
36 Mo/2400 hrs	Oct 2023/ 1307 hrs	Oct 2026/ 3707 hrs
12 Month	Oct 2024	Oct 2025
24 Month	Oct 2024	Oct 2026
36 Month	Oct 2023	Oct 2026
1B (1600 hrs)	1401 hrs	3041 hrs
2B (3200 hrs)	N/A	3200 hrs
1C (72 Mo / 3750 Idgs)	N/A	Oct 2026
2C (144 Mo / 7500 Idgs)	N/A	Aug 2032

Maintenance Programs:

- Dassault FalconCare Elite Airframe Program (Parts & Labor)
- Honeywell MSP Gold Engine Program
- Honeywell MSP Gold APU Program
- CAMP Maintenance Tracking Program

SPECIFICATIONS ARE PROVIDED FOR INFORMATIONAL PURPOSES ONLY AND DO NOT CONSTITUTE REPRESENTATIONS OR WARRANTIES. THESE SPECIFICATIONS ARE SUBJECT TO BUYER'S INDEPENDENT VERIFICATION UPON INSPECTION. THE AIRCRAFT IS SUBJECT TO PRIOR SALE, LEASE AND/OR REMOVAL FROM THE MARKET WITHOUT PRIOR NOTICE. SEPTEMBER 13, 2024 2:01 PM

2020 Falcon 900LX SN 322 N322FJ

Cabin Layout & Amenities:

Fourteen (14) Passenger Configuration, Forward Double Club, Mid Cabin Dining/Conference Group and Credenza, Dual Aft Three-Place Divans, Forward Crew & Aft Lavatories

- 25" Right Hand Forward Lavatory w/ Fold-Down Sink Enclosed by a Tri-Fold Door
- Dual Aft 76" Three Place Divans w/ 10" of Berthing, Storage for Life Raft & 4" Armrest Cabinets
- Electrical Berthing for Three Place Divans
- 46" x 28" Dining / Conference Table w/ Removable 12" Leaf
- Mid Cabin Multi-Purpose Storage Cabinet with Lift-Up Lid
- Two (2) Electric Lumbar for Mechanical Single Seats
- Two (2) Recliner Type Leg Rests (Pneumatic)
- Aft Cabin Dividers with Manual Stowable Curtain
- Sheepskin Inserts for Flight Deck Seats (includes 3rd Crew Seat)
- 3rd Flight Deck Seat w/ Storage Drawer & Fold Down Hanger Bar
- LH Closet w/Horizontal Storage for Aircraft Manuals
- Forward Bulkhead Cutaway for Pilot Seat Recline
- Aft Left Hand Lavatory Vanity
- Aft Right Hand Lavatory Toilet w/ Vacuum System
- Solid Surface Countertops for Aft Lavatory, including Bullnose
- Metal Plated Sink in Aft Lavatory
- Fabric Protection Treatment

Galley Equipment:

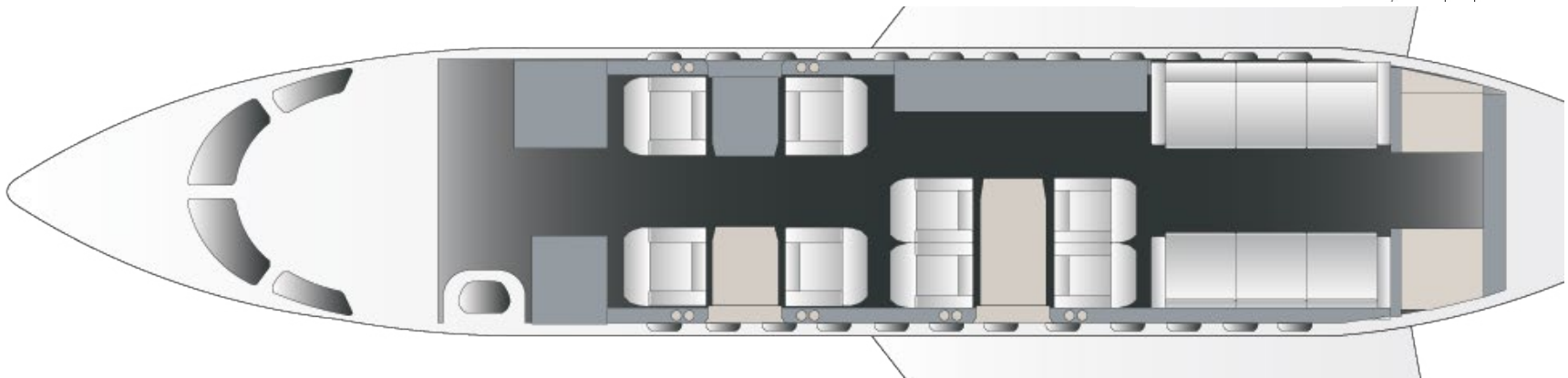
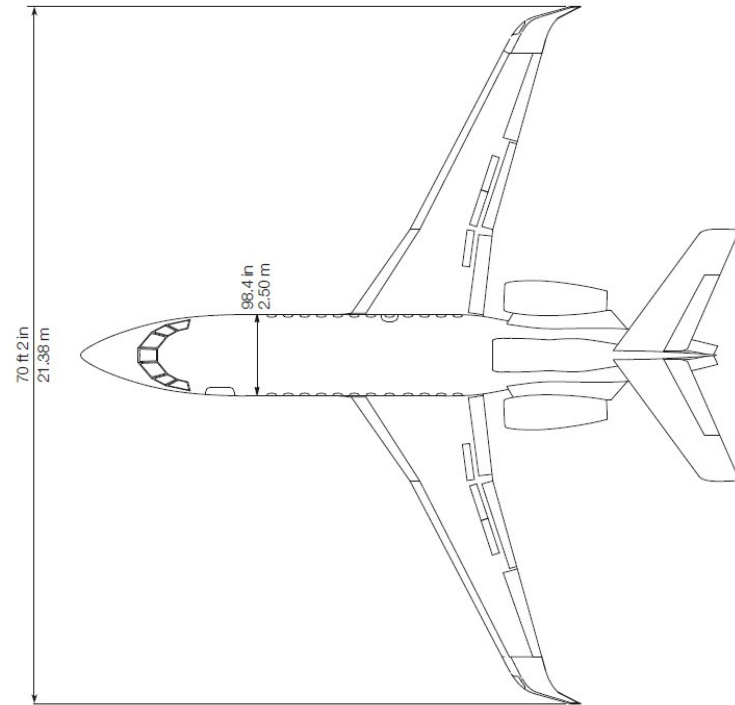
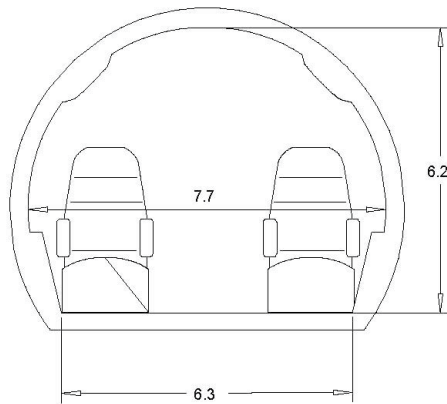
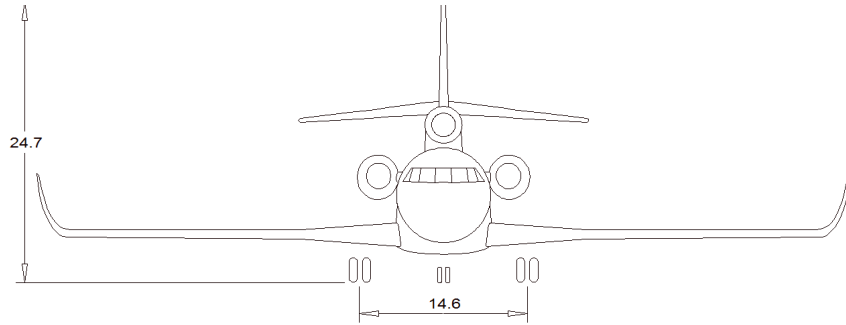
- Forward 36" Right Hand Galley
- Forward 30" Left Hand Auxiliary Galley (closet & entertainment cabinet)
- Galley Pocket Sliding Door
- Extra Wide High-Temperature Oven w/Digital Controller
- Microwave Oven
- Coffee Brewer
- Hot Jug
- Storage for standard glassware
- Ice Drawer
- Stainless Steel Sink
- Cold Storage Drawer (cooled by cold air outlets)
- Pivoting Swing-Out Work Surface
- MED Aux Work Surface and Storage (2 each)
- Wine Bottle Storage Drawer
- Water Bottle Storage Rack

Exterior:

Matterhorn White with Sunfast Red, Medium Silver & Light Silver Accent Striping.

SPECIFICATIONS ARE PROVIDED FOR INFORMATIONAL PURPOSES ONLY AND DO NOT CONSTITUTE REPRESENTATIONS OR WARRANTIES. THESE SPECIFICATIONS ARE SUBJECT TO BUYER'S INDEPENDENT VERIFICATION UPON INSPECTION. THE AIRCRAFT IS SUBJECT TO PRIOR SALE, LEASE AND/OR REMOVAL FROM THE MARKET WITHOUT PRIOR NOTICE. SEPTEMBER 13, 2024 2:01 PM

2020 Falcon 900LX SN 322 N322FJ



SPECIFICATIONS ARE PROVIDED FOR INFORMATIONAL PURPOSES ONLY AND DO NOT CONSTITUTE REPRESENTATIONS OR WARRANTIES. THESE SPECIFICATIONS ARE SUBJECT TO BUYER'S INDEPENDENT VERIFICATION UPON INSPECTION.
THE AIRCRAFT IS SUBJECT TO PRIOR SALE, LEASE AND/OR REMOVAL FROM THE MARKET WITHOUT PRIOR NOTICE. SEPTEMBER 13, 2024 2:01 PM

2020 Falcon 900LX SN 322 N322FJ



SPECIFICATIONS ARE PROVIDED FOR INFORMATIONAL PURPOSES ONLY AND DO NOT CONSTITUTE REPRESENTATIONS OR WARRANTIES. THESE SPECIFICATIONS ARE SUBJECT TO BUYER'S INDEPENDENT VERIFICATION UPON INSPECTION.
THE AIRCRAFT IS SUBJECT TO PRIOR SALE, LEASE AND/OR REMOVAL FROM THE MARKET WITHOUT PRIOR NOTICE. SEPTEMBER 13, 2024 12:46 PM

AVPROJETS.COM
info@avprojets.com

900 Bestgate Road Suite 412 Annapolis, MD 21401
+1.410.573.1515

Mike Caruso
mcaruso@avprojets.com

2020 Falcon 900LX SN 322 N322FJ



SPECIFICATIONS ARE PROVIDED FOR INFORMATIONAL PURPOSES ONLY AND DO NOT CONSTITUTE REPRESENTATIONS OR WARRANTIES. THESE SPECIFICATIONS ARE SUBJECT TO BUYER'S INDEPENDENT VERIFICATION UPON INSPECTION.
THE AIRCRAFT IS SUBJECT TO PRIOR SALE, LEASE AND/OR REMOVAL FROM THE MARKET WITHOUT PRIOR NOTICE. SEPTEMBER 13, 2024 12:46 PM

AVPROJETS.COM
info@avprojets.com

900 Bestgate Road Suite 412 Annapolis, MD 21401
+1.410.573.1515

Mike Caruso
mcaruso@avprojets.com

2020 Falcon 900LX SN 322 N322FJ



SPECIFICATIONS ARE PROVIDED FOR INFORMATIONAL PURPOSES ONLY AND DO NOT CONSTITUTE REPRESENTATIONS OR WARRANTIES. THESE SPECIFICATIONS ARE SUBJECT TO BUYER'S INDEPENDENT VERIFICATION UPON INSPECTION.
THE AIRCRAFT IS SUBJECT TO PRIOR SALE, LEASE AND/OR REMOVAL FROM THE MARKET WITHOUT PRIOR NOTICE. SEPTEMBER 13, 2024 12:46 PM

AVPROJETS.COM
info@avprojets.com

900 Bestgate Road Suite 412 Annapolis, MD 21401
+1.410.573.1515

Mike Caruso
mcaruso@avprojets.com

2020 Falcon 900LX SN 322 N322FJ



SPECIFICATIONS ARE PROVIDED FOR INFORMATIONAL PURPOSES ONLY AND DO NOT CONSTITUTE REPRESENTATIONS OR WARRANTIES. THESE SPECIFICATIONS ARE SUBJECT TO BUYER'S INDEPENDENT VERIFICATION UPON INSPECTION.
THE AIRCRAFT IS SUBJECT TO PRIOR SALE, LEASE AND/OR REMOVAL FROM THE MARKET WITHOUT PRIOR NOTICE. SEPTEMBER 13, 2024 12:46 PM

AVPROJETS.COM
info@avprojets.com

900 Bestgate Road Suite 412 Annapolis, MD 21401
+1.410.573.1515

Mike Caruso
mcaruso@avprojets.com

2020 Falcon 900LX SN 322 N322FJ



SPECIFICATIONS ARE PROVIDED FOR INFORMATIONAL PURPOSES ONLY AND DO NOT CONSTITUTE REPRESENTATIONS OR WARRANTIES. THESE SPECIFICATIONS ARE SUBJECT TO BUYER'S INDEPENDENT VERIFICATION UPON INSPECTION.
THE AIRCRAFT IS SUBJECT TO PRIOR SALE, LEASE AND/OR REMOVAL FROM THE MARKET WITHOUT PRIOR NOTICE. SEPTEMBER 13, 2024 12:46 PM

AVPROJETS.COM
info@avprojets.com

900 Bestgate Road Suite 412 Annapolis, MD 21401
+1.410.573.1515

Mike Caruso
mcaruso@avprojets.com

2020 Falcon 900LX SN 322 N322FJ



SPECIFICATIONS ARE PROVIDED FOR INFORMATIONAL PURPOSES ONLY AND DO NOT CONSTITUTE REPRESENTATIONS OR WARRANTIES. THESE SPECIFICATIONS ARE SUBJECT TO BUYER'S INDEPENDENT VERIFICATION UPON INSPECTION.
THE AIRCRAFT IS SUBJECT TO PRIOR SALE, LEASE AND/OR REMOVAL FROM THE MARKET WITHOUT PRIOR NOTICE. SEPTEMBER 13, 2024 12:46 PM

AVPROJETS.COM
info@avprojets.com

900 Bestgate Road Suite 412 Annapolis, MD 21401
+1.410.573.1515

Mike Caruso
mcaruso@avprojets.com

2020 Falcon 900LX SN 322 N322FJ



SPECIFICATIONS ARE PROVIDED FOR INFORMATIONAL PURPOSES ONLY AND DO NOT CONSTITUTE REPRESENTATIONS OR WARRANTIES. THESE SPECIFICATIONS ARE SUBJECT TO BUYER'S INDEPENDENT VERIFICATION UPON INSPECTION.
THE AIRCRAFT IS SUBJECT TO PRIOR SALE, LEASE AND/OR REMOVAL FROM THE MARKET WITHOUT PRIOR NOTICE. SEPTEMBER 13, 2024 12:46 PM

AVPROJETS.COM
info@avprojets.com

900 Bestgate Road Suite 412 Annapolis, MD 21401
+1.410.573.1515

Mike Caruso
mcaruso@avprojets.com

2020 Falcon 900LX SN 322 N322FJ



SPECIFICATIONS ARE PROVIDED FOR INFORMATIONAL PURPOSES ONLY AND DO NOT CONSTITUTE REPRESENTATIONS OR WARRANTIES. THESE SPECIFICATIONS ARE SUBJECT TO BUYER'S INDEPENDENT VERIFICATION UPON INSPECTION.
THE AIRCRAFT IS SUBJECT TO PRIOR SALE, LEASE AND/OR REMOVAL FROM THE MARKET WITHOUT PRIOR NOTICE. SEPTEMBER 13, 2024 12:46 PM

AVPROJETS.COM
info@avprojets.com

900 Bestgate Road Suite 412 Annapolis, MD 21401
+1.410.573.1515

Mike Caruso
mcaruso@avprojets.com

2020 Falcon 900LX SN 322 N322FJ

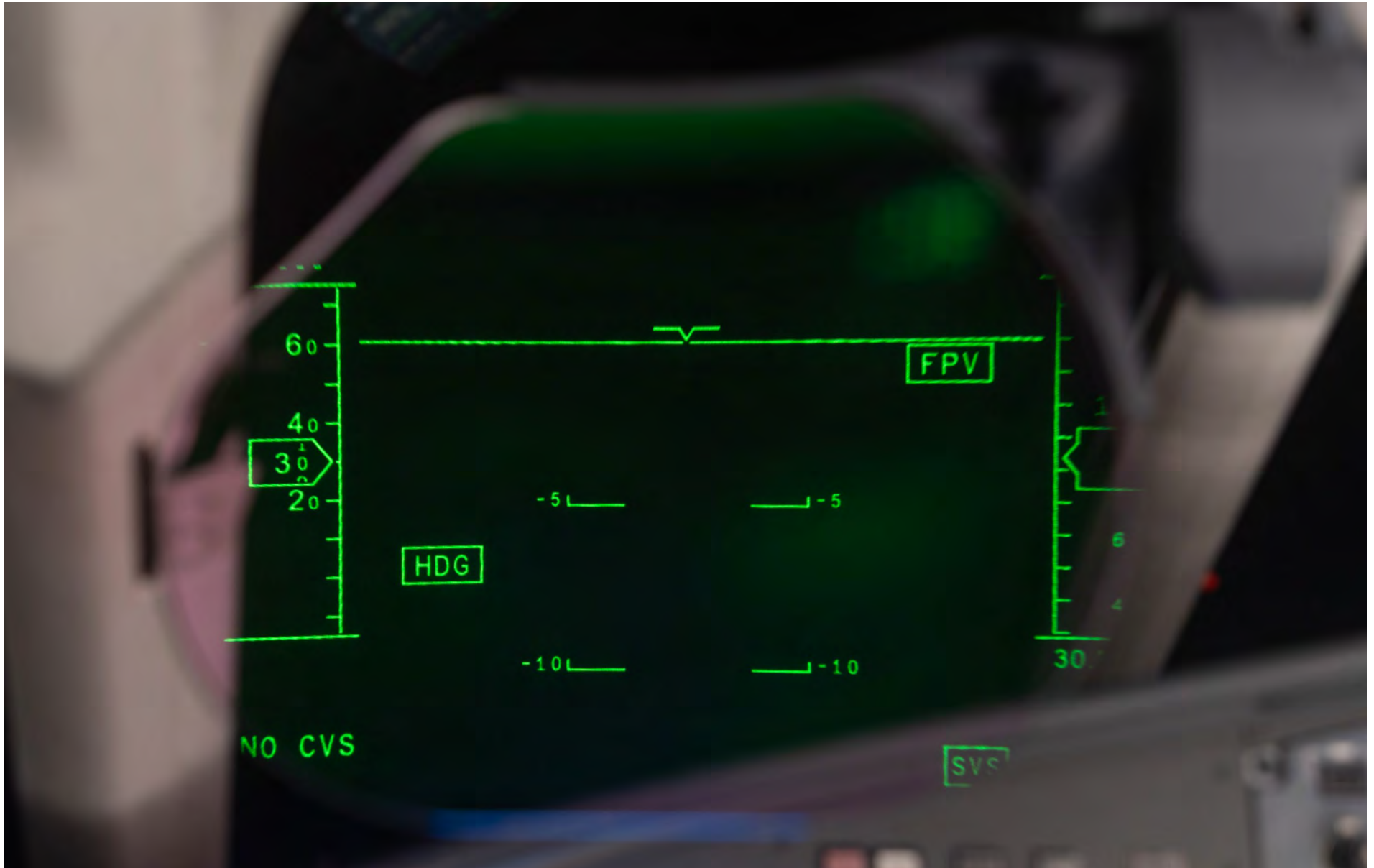


SPECIFICATIONS ARE PROVIDED FOR INFORMATIONAL PURPOSES ONLY AND DO NOT CONSTITUTE REPRESENTATIONS OR WARRANTIES. THESE SPECIFICATIONS ARE SUBJECT TO BUYER'S INDEPENDENT VERIFICATION UPON INSPECTION.
THE AIRCRAFT IS SUBJECT TO PRIOR SALE, LEASE AND/OR REMOVAL FROM THE MARKET WITHOUT PRIOR NOTICE. SEPTEMBER 13, 2024 12:46 PM

AVPROJETS.COM
info@avprojets.com

900 Bestgate Road Suite 412 Annapolis, MD 21401
+1.410.573.1515

Mike Caruso
mcaruso@avprojets.com



SPECIFICATIONS ARE PROVIDED FOR INFORMATIONAL PURPOSES ONLY AND DO NOT CONSTITUTE REPRESENTATIONS OR WARRANTIES. THESE SPECIFICATIONS ARE SUBJECT TO BUYER'S INDEPENDENT VERIFICATION UPON INSPECTION.
THE AIRCRAFT IS SUBJECT TO PRIOR SALE, LEASE AND/OR REMOVAL FROM THE MARKET WITHOUT PRIOR NOTICE. SEPTEMBER 13, 2024 12:46 PM

2020 Falcon 900LX SN 322 N322FJ



SPECIFICATIONS ARE PROVIDED FOR INFORMATIONAL PURPOSES ONLY AND DO NOT CONSTITUTE REPRESENTATIONS OR WARRANTIES. THESE SPECIFICATIONS ARE SUBJECT TO BUYER'S INDEPENDENT VERIFICATION UPON INSPECTION. THE AIRCRAFT IS SUBJECT TO PRIOR SALE, LEASE AND/OR REMOVAL FROM THE MARKET WITHOUT PRIOR NOTICE. SEPTEMBER 13, 2024 12:46 PM

AVPROJETS.COM
info@avprojets.com

900 Bestgate Road Suite 412 Annapolis, MD 21401
+1.410.573.1515

Mike Caruso
mcaruso@avprojets.com

2020 Falcon 900LX SN 322 N322FJ



SPECIFICATIONS ARE PROVIDED FOR INFORMATIONAL PURPOSES ONLY AND DO NOT CONSTITUTE REPRESENTATIONS OR WARRANTIES. THESE SPECIFICATIONS ARE SUBJECT TO BUYER'S INDEPENDENT VERIFICATION UPON INSPECTION.
THE AIRCRAFT IS SUBJECT TO PRIOR SALE, LEASE AND/OR REMOVAL FROM THE MARKET WITHOUT PRIOR NOTICE. SEPTEMBER 13, 2024 12:46 PM

AVPROJETS.COM
info@avprojets.com

900 Bestgate Road Suite 412 Annapolis, MD 21401
+1.410.573.1515

Mike Caruso
mcaruso@avprojets.com

2020 Falcon 900LX SN 322 N322FJ



SPECIFICATIONS ARE PROVIDED FOR INFORMATIONAL PURPOSES ONLY AND DO NOT CONSTITUTE REPRESENTATIONS OR WARRANTIES. THESE SPECIFICATIONS ARE SUBJECT TO BUYER'S INDEPENDENT VERIFICATION UPON INSPECTION.
THE AIRCRAFT IS SUBJECT TO PRIOR SALE, LEASE AND/OR REMOVAL FROM THE MARKET WITHOUT PRIOR NOTICE. SEPTEMBER 13, 2024 12:46 PM

AVPROJETS.COM
info@avprojets.com

900 Bestgate Road Suite 412 Annapolis, MD 21401
+1.410.573.1515

Mike Caruso
mcaruso@avprojets.com

2020 Falcon 900LX SN 322 N322FJ



SPECIFICATIONS ARE PROVIDED FOR INFORMATIONAL PURPOSES ONLY AND DO NOT CONSTITUTE REPRESENTATIONS OR WARRANTIES. THESE SPECIFICATIONS ARE SUBJECT TO BUYER'S INDEPENDENT VERIFICATION UPON INSPECTION. THE AIRCRAFT IS SUBJECT TO PRIOR SALE, LEASE AND/OR REMOVAL FROM THE MARKET WITHOUT PRIOR NOTICE. SEPTEMBER 13, 2024 12:46 PM

2020 Falcon 900LX SN 322 N322FJ



SPECIFICATIONS ARE PROVIDED FOR INFORMATIONAL PURPOSES ONLY AND DO NOT CONSTITUTE REPRESENTATIONS OR WARRANTIES. THESE SPECIFICATIONS ARE SUBJECT TO BUYER'S INDEPENDENT VERIFICATION UPON INSPECTION.
THE AIRCRAFT IS SUBJECT TO PRIOR SALE, LEASE AND/OR REMOVAL FROM THE MARKET WITHOUT PRIOR NOTICE. SEPTEMBER 13, 2024 12:46 PM

AVPROJETS.COM
info@avprojets.com

900 Bestgate Road Suite 412 Annapolis, MD 21401
+1.410.573.1515

Mike Caruso
mcaruso@avprojets.com

2020 Falcon 900LX SN 322 N322FJ



SPECIFICATIONS ARE PROVIDED FOR INFORMATIONAL PURPOSES ONLY AND DO NOT CONSTITUTE REPRESENTATIONS OR WARRANTIES. THESE SPECIFICATIONS ARE SUBJECT TO BUYER'S INDEPENDENT VERIFICATION UPON INSPECTION.
THE AIRCRAFT IS SUBJECT TO PRIOR SALE, LEASE AND/OR REMOVAL FROM THE MARKET WITHOUT PRIOR NOTICE. SEPTEMBER 13, 2024 12:46 PM

AVPROJETS.COM
info@avprojets.com

900 Bestgate Road Suite 412 Annapolis, MD 21401
+1.410.573.1515

Mike Caruso
mcaruso@avprojets.com

2020 Falcon 900LX SN 322 N322FJ



SPECIFICATIONS ARE PROVIDED FOR INFORMATIONAL PURPOSES ONLY AND DO NOT CONSTITUTE REPRESENTATIONS OR WARRANTIES. THESE SPECIFICATIONS ARE SUBJECT TO BUYER'S INDEPENDENT VERIFICATION UPON INSPECTION.
THE AIRCRAFT IS SUBJECT TO PRIOR SALE, LEASE AND/OR REMOVAL FROM THE MARKET WITHOUT PRIOR NOTICE. SEPTEMBER 13, 2024 12:46 PM

AVPROJETS.COM
info@avprojets.com

900 Bestgate Road Suite 412 Annapolis, MD 21401
+1.410.573.1515

Mike Caruso
mcaruso@avprojets.com

2020 Falcon 900LX SN 322 N322FJ



SPECIFICATIONS ARE PROVIDED FOR INFORMATIONAL PURPOSES ONLY AND DO NOT CONSTITUTE REPRESENTATIONS OR WARRANTIES. THESE SPECIFICATIONS ARE SUBJECT TO BUYER'S INDEPENDENT VERIFICATION UPON INSPECTION.
THE AIRCRAFT IS SUBJECT TO PRIOR SALE, LEASE AND/OR REMOVAL FROM THE MARKET WITHOUT PRIOR NOTICE. SEPTEMBER 13, 2024 12:46 PM

AVPROJETS.COM
info@avprojets.com

900 Bestgate Road Suite 412 Annapolis, MD 21401
+1.410.573.1515

Mike Caruso
mcaruso@avprojets.com

2020 Falcon 900LX SN 322 N322FJ



SPECIFICATIONS ARE PROVIDED FOR INFORMATIONAL PURPOSES ONLY AND DO NOT CONSTITUTE REPRESENTATIONS OR WARRANTIES. THESE SPECIFICATIONS ARE SUBJECT TO BUYER'S INDEPENDENT VERIFICATION UPON INSPECTION.
THE AIRCRAFT IS SUBJECT TO PRIOR SALE, LEASE AND/OR REMOVAL FROM THE MARKET WITHOUT PRIOR NOTICE. SEPTEMBER 13, 2024 12:46 PM

AVPROJETS.COM
info@avprojets.com

900 Bestgate Road Suite 412 Annapolis, MD 21401
+1.410.573.1515

Mike Caruso
mcaruso@avprojets.com

2020 Falcon 900LX SN 322 N322FJ



SPECIFICATIONS ARE PROVIDED FOR INFORMATIONAL PURPOSES ONLY AND DO NOT CONSTITUTE REPRESENTATIONS OR WARRANTIES. THESE SPECIFICATIONS ARE SUBJECT TO BUYER'S INDEPENDENT VERIFICATION UPON INSPECTION.
THE AIRCRAFT IS SUBJECT TO PRIOR SALE, LEASE AND/OR REMOVAL FROM THE MARKET WITHOUT PRIOR NOTICE. SEPTEMBER 13, 2024 12:46 PM

2020 Falcon 900LX SN 322 N322FJ



SPECIFICATIONS ARE PROVIDED FOR INFORMATIONAL PURPOSES ONLY AND DO NOT CONSTITUTE REPRESENTATIONS OR WARRANTIES. THESE SPECIFICATIONS ARE SUBJECT TO BUYER'S INDEPENDENT VERIFICATION UPON INSPECTION.
THE AIRCRAFT IS SUBJECT TO PRIOR SALE, LEASE AND/OR REMOVAL FROM THE MARKET WITHOUT PRIOR NOTICE. SEPTEMBER 13, 2024 12:46 PM

AVPROJETS.COM
info@avprojets.com

900 Bestgate Road Suite 412 Annapolis, MD 21401
+1.410.573.1515

Mike Caruso
mcaruso@avprojets.com

2020 Falcon 900LX SN 322 N322FJ



SPECIFICATIONS ARE PROVIDED FOR INFORMATIONAL PURPOSES ONLY AND DO NOT CONSTITUTE REPRESENTATIONS OR WARRANTIES. THESE SPECIFICATIONS ARE SUBJECT TO BUYER'S INDEPENDENT VERIFICATION UPON INSPECTION.
THE AIRCRAFT IS SUBJECT TO PRIOR SALE, LEASE AND/OR REMOVAL FROM THE MARKET WITHOUT PRIOR NOTICE. SEPTEMBER 13, 2024 12:46 PM

AVPROJETS.COM
info@avprojets.com

900 Bestgate Road Suite 412 Annapolis, MD 21401
+1.410.573.1515

Mike Caruso
mcaruso@avprojets.com

2020 Falcon 900LX SN 322 N322FJ



SPECIFICATIONS ARE PROVIDED FOR INFORMATIONAL PURPOSES ONLY AND DO NOT CONSTITUTE REPRESENTATIONS OR WARRANTIES. THESE SPECIFICATIONS ARE SUBJECT TO BUYER'S INDEPENDENT VERIFICATION UPON INSPECTION.
THE AIRCRAFT IS SUBJECT TO PRIOR SALE, LEASE AND/OR REMOVAL FROM THE MARKET WITHOUT PRIOR NOTICE. SEPTEMBER 13, 2024 12:46 PM

AVPROJETS.COM
info@avprojets.com

900 Bestgate Road Suite 412 Annapolis, MD 21401
+1.410.573.1515

Mike Caruso
mcaruso@avprojets.com



SPECIFICATIONS ARE PROVIDED FOR INFORMATIONAL PURPOSES ONLY AND DO NOT CONSTITUTE REPRESENTATIONS OR WARRANTIES. THESE SPECIFICATIONS ARE SUBJECT TO BUYER'S INDEPENDENT VERIFICATION UPON INSPECTION. THE AIRCRAFT IS SUBJECT TO PRIOR SALE, LEASE AND/OR REMOVAL FROM THE MARKET WITHOUT PRIOR NOTICE. SEPTEMBER 13, 2024 12:46 PM

2020 Falcon 900LX SN 322 N322FJ



SPECIFICATIONS ARE PROVIDED FOR INFORMATIONAL PURPOSES ONLY AND DO NOT CONSTITUTE REPRESENTATIONS OR WARRANTIES. THESE SPECIFICATIONS ARE SUBJECT TO BUYER'S INDEPENDENT VERIFICATION UPON INSPECTION.
THE AIRCRAFT IS SUBJECT TO PRIOR SALE, LEASE AND/OR REMOVAL FROM THE MARKET WITHOUT PRIOR NOTICE. SEPTEMBER 13, 2024 12:46 PM

AVPROJETS.COM
info@avprojets.com

900 Bestgate Road Suite 412 Annapolis, MD 21401
+1.410.573.1515

Mike Caruso
mcaruso@avprojets.com



AVPRO INC.

CELEBRATING OVER **30** YEARS OF EXCELLENCE

We perform for our clients, averaging two transactions a week.

We match aircraft to your specifications in a professional and timely manner, allowing you to concentrate on your business, leaving the important details of marketing, market research, negotiating and contracting to us.

Avpro offers aircraft financing advisory services. We have the expertise to navigate the appropriate structure, costs and terms to help you meet your objectives. We are ready to provide advice, analysis and sourcing of the lender best suited to meet your requirements.

SERVING CUSTOMERS
AROUND THE GLOBE

Talk to Us

info@avprojets.com

+1.410.573.1515

Connect with Us

