

2006 Gulfstream ^{SN} 5100

G500



AVPRO INC.
www.avprojets.com

MANAGING PARTNER

Bob Rabbitt
brabbitt@avprojets.com
+1.410.573.1515

2006 Gulfstream G500 SN 5100 N789LR

Aircraft Listing Details:

Total Hours: 6227

Total Landings: 2886

Engines: Rolls Royce BR700-710C4-11

	#1	#2
Total Hours:	6184	6184
Engine Cycles:	2860	2860
Serial Numbers:	15299	15298

APU: Honeywell RE220

Total Hours: 4587

Serial Number: P-421

Aircraft Highlights:

- U.S. Owned & Operated under Part 135
- Honeywell Epic PlaneView™ (Cert Foxtrot Enhanced)
- 18 Pax Forward Galley Configuration
- Engines Enrolled on Rolls-Royce Corporate Care
- Airframe Enrolled on JSSI Tip-To-Tail w/Nacelle Coverage
- APU Enrolled on JSSI
- ADS-B & ADS-C Out, FANS-1A Compliant
- WAAS/LPV
- Synthetic Vision
- GoGo Wi-Fi Internet

Avionics:

- Honeywell Epic PlaneView™ Integrated Avionics Suite (Cert Foxtrot Enhanced)
- Honeywell Primus II Epic Integrated Radios w/Dual Modular Radios (MRC-855A)
- Synthetic Vision
- Honeywell GP-500 Flight Guidance Panel
- Four (4) Honeywell DU-1310 Flat Panel Display Units
- Three (3) Honeywell MC-850 Multifunction Display Units
- Triple Honeywell AZ-200 Air Data Modules Cabinet
- Triple Honeywell AV-900 Audio Panels
- Triple VHF Communications Systems
- Triple VHF Navigation Systems
- Honeywell XS-855 Mode S Transponder w/Enhanced Flight ID
- Triple Honeywell NZ-2000 FMS
- Dual 24-Channel GPS w/Turbulence Detection & WAAS/LPV
- Triple Honeywell IR-500 LASEREF V IRS
- Honeywell RT-300 Radio Altimeter
- Enhanced GPWS w/Windshear Detection
- Honeywell TCAS-2000 w/Change 7.1
- Dual HF Communication Systems
- Dual Mason CCD Cursor Control Devices
- Dual Honeywell MRC-855A Modular Radio
- Goodrich Standby Attitude/Airspeed/Altimeter
- XM Weather
- Honeywell WU-880 Color Weather Radar
- Honeywell LSZ-860 Lightning Detector
- Flight Data Recorder
- Cockpit Voice Recorder

SPECIFICATIONS ARE PROVIDED FOR INFORMATIONAL PURPOSES ONLY AND DO NOT CONSTITUTE REPRESENTATIONS OR WARRANTIES. THESE SPECIFICATIONS ARE SUBJECT TO BUYER'S INDEPENDENT VERIFICATION UPON INSPECTION.
THE AIRCRAFT IS SUBJECT TO PRIOR SALE, LEASE AND/OR REMOVAL FROM THE MARKET WITHOUT PRIOR NOTICE. OCTOBER 3, 2024 11:55 AM

2006 Gulfstream G500 SN 5100 N789LR

Connectivity:

- GoGo Wi-Fi Internet
 - Honeywell MCS-7000 SATCOM
 - Magnastar 2000 Flight Phone
-

Entertainment:

- Airshow 4000 w/Remote Switching
- Dual (2) DVD Players
- Five (5) Disc CD Player
- 17" LCD Monitor above Credenza
- Forward Bulkhead 17" LCD Monitor
- Aft Bulkhead 17" LCD Monitor
- Eight (8) 4" LCD Individual Monitors

Maintenance Programs:

- Engines Enrolled on Rolls-Royce Corporate Care
 - Airframe Enrolled on JSSI Tip-To-Tail w/Nacelle Coverage
 - APU Enrolled on JSSI
-

Inspection Status:

<i>Inspection</i>	<i>Compliance</i>
12 Month	February 2024
24 Month	January 2024
36 Month	August 2022
48 Month	February 2024
72 Month	August 2024
96 Month	August 2022
192 Month	March 2022

Navigation Compliance:

- Operated under Part 135
- ADS-B & ADS-C Out
- FANS-1A Compliant
- WAAS/LPV
- Honeywell TCAS-2000 w/Change 7.1

SPECIFICATIONS ARE PROVIDED FOR INFORMATIONAL PURPOSES ONLY AND DO NOT CONSTITUTE REPRESENTATIONS OR WARRANTIES. THESE SPECIFICATIONS ARE SUBJECT TO BUYER'S INDEPENDENT VERIFICATION UPON INSPECTION.
THE AIRCRAFT IS SUBJECT TO PRIOR SALE, LEASE AND/OR REMOVAL FROM THE MARKET WITHOUT PRIOR NOTICE. OCTOBER 3, 2024 11:55 AM

2006 Gulfstream G500 SN 5100 N789LR

Features/Options:

- Enhanced Soundproofing
- Certified Jump Seat
- Three (3) SecuraPlane External Cameras
- Microwave Oven
- High Temperature Oven
- Dual (2) Coffee Makers

Interior:

Refurbished Sept. 2014 by Turbine Solutions, Thomaston, GA
Eighteen (18) passenger forward galley configuration featuring enhanced soundproofing.

The forward cabin offers a four (4) place club arrangement followed by a two (2) place club opposite a four (4) place divan, the mid cabin features a four (4) place conference group opposite a credenza. The aft cabin consists of a single (1) forward facing VIP seat opposite a three (3) place berthable divan. Additional amenities include a certified Jump Seat; forward and aft lavatories.

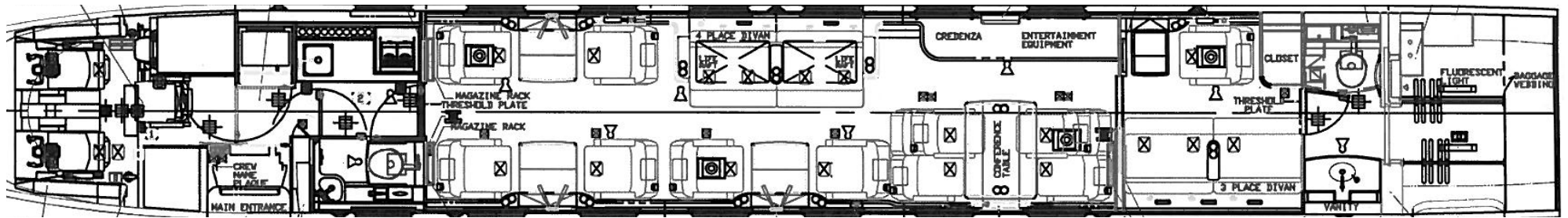
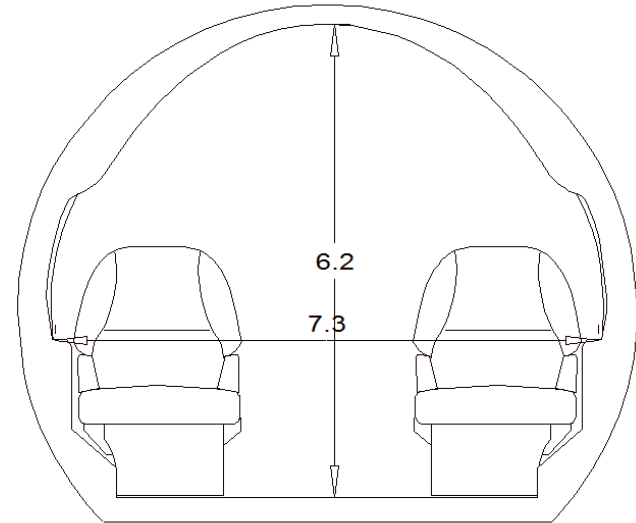
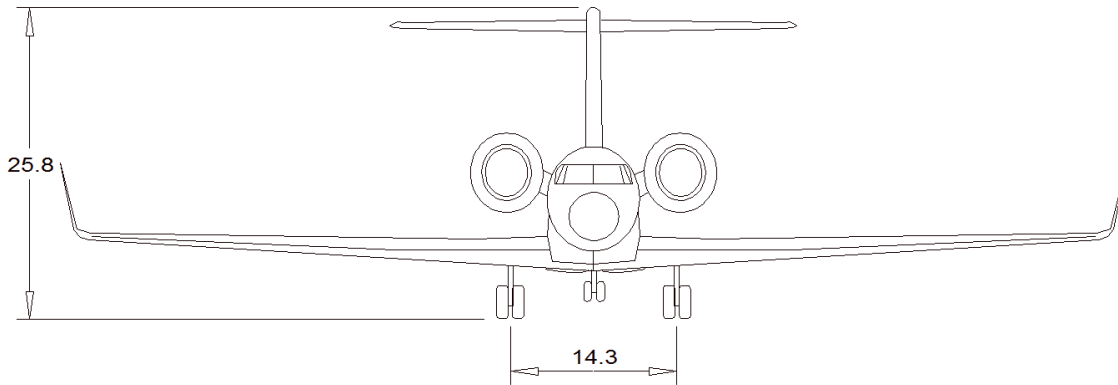
Wood	Wenge Veneer Club
Seats	Light Beige Leather
Metal	Satin Nickel
Headliner	Natural Ultraleather
Carpet	Patterned 100% Wool
Divan	Patterned Fabric

Exterior:

New Paint January 2016 by Jet Aviation, St. Louis, MO
Overall White Upper Fuselage with Dark Blue Lower Fuselage and Custom Accent Striping.

SPECIFICATIONS ARE PROVIDED FOR INFORMATIONAL PURPOSES ONLY AND DO NOT CONSTITUTE REPRESENTATIONS OR WARRANTIES. THESE SPECIFICATIONS ARE SUBJECT TO BUYER'S INDEPENDENT VERIFICATION UPON INSPECTION.
THE AIRCRAFT IS SUBJECT TO PRIOR SALE, LEASE AND/OR REMOVAL FROM THE MARKET WITHOUT PRIOR NOTICE. OCTOBER 3, 2024 11:55 AM

2006 Gulfstream G500 SN 5100 N789LR



SPECIFICATIONS ARE PROVIDED FOR INFORMATIONAL PURPOSES ONLY AND DO NOT CONSTITUTE REPRESENTATIONS OR WARRANTIES. THESE SPECIFICATIONS ARE SUBJECT TO BUYER'S INDEPENDENT VERIFICATION UPON INSPECTION.
THE AIRCRAFT IS SUBJECT TO PRIOR SALE, LEASE AND/OR REMOVAL FROM THE MARKET WITHOUT PRIOR NOTICE. OCTOBER 3, 2024 11:55 AM

2006 Gulfstream G500 SN 5100 N789LR



SPECIFICATIONS ARE PROVIDED FOR INFORMATIONAL PURPOSES ONLY AND DO NOT CONSTITUTE REPRESENTATIONS OR WARRANTIES. THESE SPECIFICATIONS ARE SUBJECT TO BUYER'S INDEPENDENT VERIFICATION UPON INSPECTION.
THE AIRCRAFT IS SUBJECT TO PRIOR SALE, LEASE AND/OR REMOVAL FROM THE MARKET WITHOUT PRIOR NOTICE. OCTOBER 3, 2024 11:55 AM

AVPROJETS.COM
info@avprojets.com

900 Bestgate Road Suite 412 Annapolis, MD 21401
+1.410.573.1515

Bob Rabbitt
brabbitt@avprojets.com

2006 Gulfstream G500 SN 5100 N789LR



SPECIFICATIONS ARE PROVIDED FOR INFORMATIONAL PURPOSES ONLY AND DO NOT CONSTITUTE REPRESENTATIONS OR WARRANTIES. THESE SPECIFICATIONS ARE SUBJECT TO BUYER'S INDEPENDENT VERIFICATION UPON INSPECTION.
THE AIRCRAFT IS SUBJECT TO PRIOR SALE, LEASE AND/OR REMOVAL FROM THE MARKET WITHOUT PRIOR NOTICE. OCTOBER 3, 2024 11:55 AM

AVPROJETS.COM
info@avprojets.com

900 Bestgate Road Suite 412 Annapolis, MD 21401
+1.410.573.1515

Bob Rabbitt
brabbitt@avprojets.com

2006 Gulfstream G500 SN 5100 N789LR



SPECIFICATIONS ARE PROVIDED FOR INFORMATIONAL PURPOSES ONLY AND DO NOT CONSTITUTE REPRESENTATIONS OR WARRANTIES. THESE SPECIFICATIONS ARE SUBJECT TO BUYER'S INDEPENDENT VERIFICATION UPON INSPECTION.
THE AIRCRAFT IS SUBJECT TO PRIOR SALE, LEASE AND/OR REMOVAL FROM THE MARKET WITHOUT PRIOR NOTICE. OCTOBER 3, 2024 11:55 AM

AVPROJETS.COM
info@avprojets.com

900 Bestgate Road Suite 412 Annapolis, MD 21401
+1.410.573.1515

Bob Rabbitt
brabbitt@avprojets.com

2006 Gulfstream G500 SN 5100 N789LR



SPECIFICATIONS ARE PROVIDED FOR INFORMATIONAL PURPOSES ONLY AND DO NOT CONSTITUTE REPRESENTATIONS OR WARRANTIES. THESE SPECIFICATIONS ARE SUBJECT TO BUYER'S INDEPENDENT VERIFICATION UPON INSPECTION.
THE AIRCRAFT IS SUBJECT TO PRIOR SALE, LEASE AND/OR REMOVAL FROM THE MARKET WITHOUT PRIOR NOTICE. OCTOBER 3, 2024 11:55 AM

AVPROJETS.COM
info@avprojets.com

900 Bestgate Road Suite 412 Annapolis, MD 21401
+1.410.573.1515

Bob Rabbitt
brabbitt@avprojets.com

2006 Gulfstream G500 SN 5100 N789LR



SPECIFICATIONS ARE PROVIDED FOR INFORMATIONAL PURPOSES ONLY AND DO NOT CONSTITUTE REPRESENTATIONS OR WARRANTIES. THESE SPECIFICATIONS ARE SUBJECT TO BUYER'S INDEPENDENT VERIFICATION UPON INSPECTION.
THE AIRCRAFT IS SUBJECT TO PRIOR SALE, LEASE AND/OR REMOVAL FROM THE MARKET WITHOUT PRIOR NOTICE. OCTOBER 3, 2024 11:55 AM

AVPROJETS.COM
info@avprojets.com

900 Bestgate Road Suite 412 Annapolis, MD 21401
+1.410.573.1515

Bob Rabbitt
brabbitt@avprojets.com

2006 Gulfstream G500 SN 5100 N789LR



SPECIFICATIONS ARE PROVIDED FOR INFORMATIONAL PURPOSES ONLY AND DO NOT CONSTITUTE REPRESENTATIONS OR WARRANTIES. THESE SPECIFICATIONS ARE SUBJECT TO BUYER'S INDEPENDENT VERIFICATION UPON INSPECTION.
THE AIRCRAFT IS SUBJECT TO PRIOR SALE, LEASE AND/OR REMOVAL FROM THE MARKET WITHOUT PRIOR NOTICE. OCTOBER 3, 2024 11:55 AM

AVPROJETS.COM
info@avprojets.com

900 Bestgate Road Suite 412 Annapolis, MD 21401
+1.410.573.1515

Bob Rabbitt
brabbitt@avprojets.com

2006 Gulfstream G500 SN 5100 N789LR



SPECIFICATIONS ARE PROVIDED FOR INFORMATIONAL PURPOSES ONLY AND DO NOT CONSTITUTE REPRESENTATIONS OR WARRANTIES. THESE SPECIFICATIONS ARE SUBJECT TO BUYER'S INDEPENDENT VERIFICATION UPON INSPECTION.
THE AIRCRAFT IS SUBJECT TO PRIOR SALE, LEASE AND/OR REMOVAL FROM THE MARKET WITHOUT PRIOR NOTICE. OCTOBER 3, 2024 11:55 AM

AVPROJETS.COM
info@avprojets.com

900 Bestgate Road Suite 412 Annapolis, MD 21401
+1.410.573.1515

Bob Rabbitt
brabbitt@avprojets.com

2006 Gulfstream G500 SN 5100 N789LR



SPECIFICATIONS ARE PROVIDED FOR INFORMATIONAL PURPOSES ONLY AND DO NOT CONSTITUTE REPRESENTATIONS OR WARRANTIES. THESE SPECIFICATIONS ARE SUBJECT TO BUYER'S INDEPENDENT VERIFICATION UPON INSPECTION.
THE AIRCRAFT IS SUBJECT TO PRIOR SALE, LEASE AND/OR REMOVAL FROM THE MARKET WITHOUT PRIOR NOTICE. OCTOBER 3, 2024 11:55 AM

AVPROJETS.COM
info@avprojets.com

900 Bestgate Road Suite 412 Annapolis, MD 21401
+1.410.573.1515

Bob Rabbitt
brabbitt@avprojets.com

2006 Gulfstream G500 SN 5100 N789LR



SPECIFICATIONS ARE PROVIDED FOR INFORMATIONAL PURPOSES ONLY AND DO NOT CONSTITUTE REPRESENTATIONS OR WARRANTIES. THESE SPECIFICATIONS ARE SUBJECT TO BUYER'S INDEPENDENT VERIFICATION UPON INSPECTION.
THE AIRCRAFT IS SUBJECT TO PRIOR SALE, LEASE AND/OR REMOVAL FROM THE MARKET WITHOUT PRIOR NOTICE. OCTOBER 3, 2024 11:55 AM

AVPROJETS.COM
info@avprojets.com

900 Bestgate Road Suite 412 Annapolis, MD 21401
+1.410.573.1515

Bob Rabbitt
brabbitt@avprojets.com

2006 Gulfstream G500 SN 5100 N789LR



SPECIFICATIONS ARE PROVIDED FOR INFORMATIONAL PURPOSES ONLY AND DO NOT CONSTITUTE REPRESENTATIONS OR WARRANTIES. THESE SPECIFICATIONS ARE SUBJECT TO BUYER'S INDEPENDENT VERIFICATION UPON INSPECTION.
THE AIRCRAFT IS SUBJECT TO PRIOR SALE, LEASE AND/OR REMOVAL FROM THE MARKET WITHOUT PRIOR NOTICE. OCTOBER 3, 2024 11:55 AM

AVPROJETS.COM
info@avprojets.com

900 Bestgate Road Suite 412 Annapolis, MD 21401
+1.410.573.1515

Bob Rabbitt
brabbitt@avprojets.com

2006 Gulfstream G500 SN 5100 N789LR



SPECIFICATIONS ARE PROVIDED FOR INFORMATIONAL PURPOSES ONLY AND DO NOT CONSTITUTE REPRESENTATIONS OR WARRANTIES. THESE SPECIFICATIONS ARE SUBJECT TO BUYER'S INDEPENDENT VERIFICATION UPON INSPECTION.
THE AIRCRAFT IS SUBJECT TO PRIOR SALE, LEASE AND/OR REMOVAL FROM THE MARKET WITHOUT PRIOR NOTICE. OCTOBER 3, 2024 11:55 AM

AVPROJETS.COM
info@avprojets.com

900 Bestgate Road Suite 412 Annapolis, MD 21401
+1.410.573.1515

Bob Rabbitt
brabbitt@avprojets.com

2006 Gulfstream G500 SN 5100 N789LR



SPECIFICATIONS ARE PROVIDED FOR INFORMATIONAL PURPOSES ONLY AND DO NOT CONSTITUTE REPRESENTATIONS OR WARRANTIES. THESE SPECIFICATIONS ARE SUBJECT TO BUYER'S INDEPENDENT VERIFICATION UPON INSPECTION.
THE AIRCRAFT IS SUBJECT TO PRIOR SALE, LEASE AND/OR REMOVAL FROM THE MARKET WITHOUT PRIOR NOTICE. OCTOBER 3, 2024 11:55 AM

AVPROJETS.COM
info@avprojets.com

900 Bestgate Road Suite 412 Annapolis, MD 21401
+1.410.573.1515

Bob Rabbitt
brabbitt@avprojets.com

2006 Gulfstream G500 SN 5100 N789LR



SPECIFICATIONS ARE PROVIDED FOR INFORMATIONAL PURPOSES ONLY AND DO NOT CONSTITUTE REPRESENTATIONS OR WARRANTIES. THESE SPECIFICATIONS ARE SUBJECT TO BUYER'S INDEPENDENT VERIFICATION UPON INSPECTION.
THE AIRCRAFT IS SUBJECT TO PRIOR SALE, LEASE AND/OR REMOVAL FROM THE MARKET WITHOUT PRIOR NOTICE. OCTOBER 3, 2024 11:55 AM

AVPROJETS.COM
info@avprojets.com

900 Bestgate Road Suite 412 Annapolis, MD 21401
+1.410.573.1515

Bob Rabbitt
brabbitt@avprojets.com

2006 Gulfstream G500 SN 5100 N789LR



SPECIFICATIONS ARE PROVIDED FOR INFORMATIONAL PURPOSES ONLY AND DO NOT CONSTITUTE REPRESENTATIONS OR WARRANTIES. THESE SPECIFICATIONS ARE SUBJECT TO BUYER'S INDEPENDENT VERIFICATION UPON INSPECTION.
THE AIRCRAFT IS SUBJECT TO PRIOR SALE, LEASE AND/OR REMOVAL FROM THE MARKET WITHOUT PRIOR NOTICE. OCTOBER 3, 2024 11:55 AM

AVPROJETS.COM
info@avprojets.com

900 Bestgate Road Suite 412 Annapolis, MD 21401
+1.410.573.1515

Bob Rabbitt
brabbitt@avprojets.com

2006 Gulfstream G500 SN 5100 N789LR



SPECIFICATIONS ARE PROVIDED FOR INFORMATIONAL PURPOSES ONLY AND DO NOT CONSTITUTE REPRESENTATIONS OR WARRANTIES. THESE SPECIFICATIONS ARE SUBJECT TO BUYER'S INDEPENDENT VERIFICATION UPON INSPECTION.
THE AIRCRAFT IS SUBJECT TO PRIOR SALE, LEASE AND/OR REMOVAL FROM THE MARKET WITHOUT PRIOR NOTICE. OCTOBER 3, 2024 11:55 AM

AVPROJETS.COM
info@avprojets.com

900 Bestgate Road Suite 412 Annapolis, MD 21401
+1.410.573.1515

Bob Rabbitt
brabbitt@avprojets.com

2006 Gulfstream G500 SN 5100 N789LR



SPECIFICATIONS ARE PROVIDED FOR INFORMATIONAL PURPOSES ONLY AND DO NOT CONSTITUTE REPRESENTATIONS OR WARRANTIES. THESE SPECIFICATIONS ARE SUBJECT TO BUYER'S INDEPENDENT VERIFICATION UPON INSPECTION.
THE AIRCRAFT IS SUBJECT TO PRIOR SALE, LEASE AND/OR REMOVAL FROM THE MARKET WITHOUT PRIOR NOTICE. OCTOBER 3, 2024 11:55 AM

AVPROJETS.COM
info@avprojets.com

900 Bestgate Road Suite 412 Annapolis, MD 21401
+1.410.573.1515

Bob Rabbitt
brabbitt@avprojets.com



AVPRO_{INC.}

We perform for our clients, averaging two transactions a week.

We match aircraft to your specifications in a professional and timely manner, allowing you to concentrate on your business, leaving the important details of marketing, market research, negotiating and contracting to us.

When it's time to buy, lease or sell an aircraft, you want to deal with Avpro, a firm known for its Performance for our clients, Integrity in the way we do business, and Reputation as the key ingredient for future business.

SERVING CUSTOMERS
AROUND THE GLOBE

Talk to Us info@avprojets.com +1.410.573.1515

Connect with Us LINKEDIN FACEBOOK TWITTER INSTAGRAM

