

2007 Gulfstream <sup>SN</sup> 5153

# G550



CLICK TO VIEW  
VIDEO



**AVPRO** INC.  
www.avprojets.com

EXECUTIVE SALES DIRECTOR

**Eddie Kilkeary III**  
ekilkeary@avprojets.com  
+1.410.573.1515

## 2007 Gulfstream G550 SN 5153 N269WR - Registration to be Retained by Seller

---

### Aircraft Listing Details:

Total Hours: 8344  
Total Landings: 2529

---

### Engines: Rolls Royce BR 700-710C4-11

	#1	#2
Total Hours:	8344	8344
Engine Cycles:	2529	2529
Serial Numbers:	15407	15406

### APU: Honeywell RE220 (GV)

Total Hours: 5713  
Serial Number: P-479

---

### Aircraft Highlights:

- Two Corporate Owners Since New
- 192 Month Inspection - July 2023 by Gulfstream, PBI
- Engines Enrolled on Rolls-Royce Corporate Care
- APU Enrolled on Honeywell MSP
- Enrolled on MSP Avionics & MSP Mechanical
- Standard Aft Galley + Crew Rest Floorplan
- New Paint by Gulfstream, Savannah 2019
- Part 135 Maintained
- GoGo L5 AVANCE 4G + BBML WiFi
- Enhanced Navigation

### Avionics:

- Honeywell PlaneView Avionics
- Head Up Display (HUD)
- Enhanced Vision System (EVS)
- Traffic Collision Avoidance System (TCAS 7.1)
- Flight Deck Voice Recorder (Data-link Recording)
- Emergency Vision Assurance System (EVAS)
- Artex ELT w/Triple Frequency & GPS Interface
- ASC 002 – Flight Data Recorder (88 Parameters)
- Dual ATC Transponders
- Triple Micro Air Data Computer

SPECIFICATIONS ARE PROVIDED FOR INFORMATIONAL PURPOSES ONLY AND DO NOT CONSTITUTE REPRESENTATIONS OR WARRANTIES. THESE SPECIFICATIONS ARE SUBJECT TO BUYER'S INDEPENDENT VERIFICATION UPON INSPECTION.  
THE AIRCRAFT IS SUBJECT TO PRIOR SALE, LEASE AND/OR REMOVAL FROM THE MARKET WITHOUT PRIOR NOTICE. JULY 13, 2023 5:46 PM

## 2007 Gulfstream G550 SN 5153 N269WR - Registration to be Retained by Seller

---

### Connectivity:

- GoGo L5 AVANCE 4G + BBML WiFi
  - Wireless LAN System
  - Link 2000+
  - Satellite Communications Systems (SATCOM)
  - Multi-Channel System 7000
- 

### Entertainment:

- Airshow 4000
  - Four (4) DVD Players
  - Dual DVD (AIRSHOW)
  - Two (2) 17" Rockwell Collins LCD Monitors
  - Seven (7) Individual LCD Monitors
- 

### Maintenance Programs:

- Engines Enrolled on Rolls-Royce Corporate Care
  - APU Enrolled on Honeywell MSP
  - Enrolled on MSP Avionics & MSP Mechanical
  - MYCMP
- 

### Navigation Compliance:

- (ASC-084B) Enhanced Navigation (WAAS, LPV, FANS 1/A+)
  - (ASC-105A) ADS-B Out
  - (ASC-096) FANS 1/A+
  - TCAS 7.1
  - Part 135 Maintained
- 

### Features/Options:

- Crew Rest
  - Jump Seat
  - Eleven (11) 115V AC Outlets
  - Securaplane w/Three (3) External Cameras
  - High Temperature Oven
  - Coffee Maker
  - Espresso Machine
  - Microwave Oven
  - Gasper Cooled Wine Storage
- 

### Interior:

Fourteen (14) Passenger Aft Galley + Crew Rest Floorplan Offering Forward & Aft Lavatories. **New Carpet Spring 2024**

**Forward Cabin** Four (4) Place Club

**Mid Cabin** Two (2) Place Club Opposite a Two (2) Place Divan

**Aft Cabin** Four (4) Place Dining Group Opposite a Credenza; Fully Equipped Galley

---

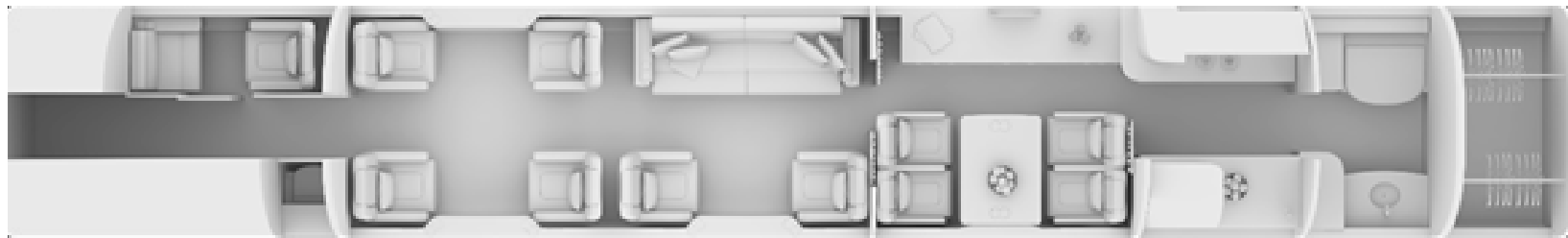
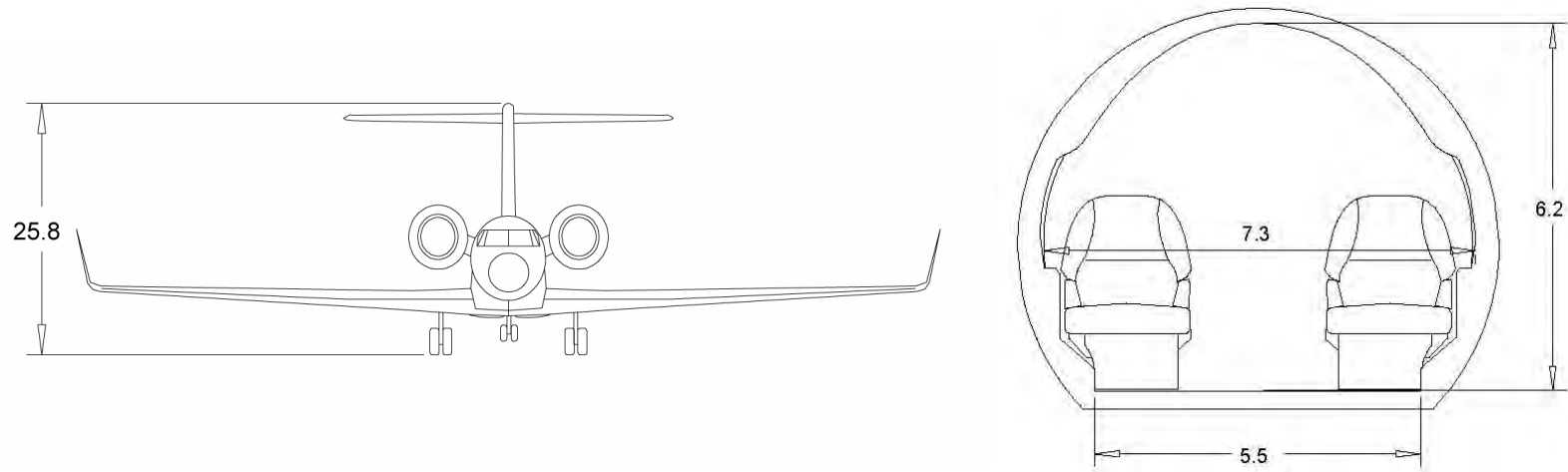
### Exterior: 2019 Paint by Gulfstream, Savannah

White Upper, Dark Blue Lower Fuselage & Tail w/Gold Stripping.

---

SPECIFICATIONS ARE PROVIDED FOR INFORMATIONAL PURPOSES ONLY AND DO NOT CONSTITUTE REPRESENTATIONS OR WARRANTIES. THESE SPECIFICATIONS ARE SUBJECT TO BUYER'S INDEPENDENT VERIFICATION UPON INSPECTION. THE AIRCRAFT IS SUBJECT TO PRIOR SALE, LEASE AND/OR REMOVAL FROM THE MARKET WITHOUT PRIOR NOTICE. JULY 13, 2023 5:46 PM

2007 Gulfstream G550 SN 5153 N269WR - Registration to be Retained by Seller



SPECIFICATIONS ARE PROVIDED FOR INFORMATIONAL PURPOSES ONLY AND DO NOT CONSTITUTE REPRESENTATIONS OR WARRANTIES. THESE SPECIFICATIONS ARE SUBJECT TO BUYER'S INDEPENDENT VERIFICATION UPON INSPECTION.  
THE AIRCRAFT IS SUBJECT TO PRIOR SALE, LEASE AND/OR REMOVAL FROM THE MARKET WITHOUT PRIOR NOTICE. JULY 13, 2023 5:46 PM

**2007 Gulfstream G550 SN 5153 N269WR** - Registration to be Retained by Seller

---



SPECIFICATIONS ARE PROVIDED FOR INFORMATIONAL PURPOSES ONLY AND DO NOT CONSTITUTE REPRESENTATIONS OR WARRANTIES. THESE SPECIFICATIONS ARE SUBJECT TO BUYER'S INDEPENDENT VERIFICATION UPON INSPECTION.  
THE AIRCRAFT IS SUBJECT TO PRIOR SALE, LEASE AND/OR REMOVAL FROM THE MARKET WITHOUT PRIOR NOTICE. JULY 13, 2023 5:46 PM

**AVPROJETS.COM**  
info@avprojets.com

900 Bestgate Road Suite 412 Annapolis, MD 21401  
+1.410.573.1515

**Eddie Kilkeary III**  
ekilkeary@avprojets.com

**2007 Gulfstream G550 SN 5153 N269WR** - *Registration to be Retained by Seller*

---



SPECIFICATIONS ARE PROVIDED FOR INFORMATIONAL PURPOSES ONLY AND DO NOT CONSTITUTE REPRESENTATIONS OR WARRANTIES. THESE SPECIFICATIONS ARE SUBJECT TO BUYER'S INDEPENDENT VERIFICATION UPON INSPECTION.  
THE AIRCRAFT IS SUBJECT TO PRIOR SALE, LEASE AND/OR REMOVAL FROM THE MARKET WITHOUT PRIOR NOTICE. JULY 13, 2023 5:46 PM

**AVPROJETS.COM**  
info@avprojets.com

900 Bestgate Road Suite 412 Annapolis, MD 21401  
+1.410.573.1515

**Eddie Kilkeary III**  
ekilkeary@avprojets.com

**2007 Gulfstream G550 SN 5153 N269WR** - Registration to be Retained by Seller

---



SPECIFICATIONS ARE PROVIDED FOR INFORMATIONAL PURPOSES ONLY AND DO NOT CONSTITUTE REPRESENTATIONS OR WARRANTIES. THESE SPECIFICATIONS ARE SUBJECT TO BUYER'S INDEPENDENT VERIFICATION UPON INSPECTION.  
THE AIRCRAFT IS SUBJECT TO PRIOR SALE, LEASE AND/OR REMOVAL FROM THE MARKET WITHOUT PRIOR NOTICE. JULY 13, 2023 5:46 PM

**AVPROJETS.COM**  
info@avprojets.com

900 Bestgate Road Suite 412 Annapolis, MD 21401  
+1.410.573.1515

**Eddie Kilkeary III**  
ekilkeary@avprojets.com

**2007 Gulfstream G550 SN 5153 N269WR** - Registration to be Retained by Seller

---



SPECIFICATIONS ARE PROVIDED FOR INFORMATIONAL PURPOSES ONLY AND DO NOT CONSTITUTE REPRESENTATIONS OR WARRANTIES. THESE SPECIFICATIONS ARE SUBJECT TO BUYER'S INDEPENDENT VERIFICATION UPON INSPECTION.  
THE AIRCRAFT IS SUBJECT TO PRIOR SALE, LEASE AND/OR REMOVAL FROM THE MARKET WITHOUT PRIOR NOTICE. JULY 13, 2023 5:46 PM

**AVPROJETS.COM**  
info@avprojets.com

900 Bestgate Road Suite 412 Annapolis, MD 21401  
+1.410.573.1515

**Eddie Kilkeary III**  
ekilkeary@avprojets.com



**2007 Gulfstream G550 SN 5153 N269WR** - Registration to be Retained by Seller

---



SPECIFICATIONS ARE PROVIDED FOR INFORMATIONAL PURPOSES ONLY AND DO NOT CONSTITUTE REPRESENTATIONS OR WARRANTIES. THESE SPECIFICATIONS ARE SUBJECT TO BUYER'S INDEPENDENT VERIFICATION UPON INSPECTION.  
THE AIRCRAFT IS SUBJECT TO PRIOR SALE, LEASE AND/OR REMOVAL FROM THE MARKET WITHOUT PRIOR NOTICE. JULY 13, 2023 5:46 PM

**AVPROJETS.COM**  
info@avprojets.com

900 Bestgate Road Suite 412 Annapolis, MD 21401  
+1.410.573.1515

**Eddie Kilkeary III**  
ekilkeary@avprojets.com

2007 Gulfstream G550 SN 5153 N269WR - Registration to be Retained by Seller



SPECIFICATIONS ARE PROVIDED FOR INFORMATIONAL PURPOSES ONLY AND DO NOT CONSTITUTE REPRESENTATIONS OR WARRANTIES. THESE SPECIFICATIONS ARE SUBJECT TO BUYER'S INDEPENDENT VERIFICATION UPON INSPECTION.  
THE AIRCRAFT IS SUBJECT TO PRIOR SALE, LEASE AND/OR REMOVAL FROM THE MARKET WITHOUT PRIOR NOTICE. JULY 13, 2023 5:46 PM

**AVPROJETS.COM**  
info@avprojets.com

900 Bestgate Road Suite 412 Annapolis, MD 21401  
+1.410.573.1515

**Eddie Kilkeary III**  
ekilkeary@avprojets.com

2007 Gulfstream G550 SN 5153 N269WR - Registration to be Retained by Seller

---



SPECIFICATIONS ARE PROVIDED FOR INFORMATIONAL PURPOSES ONLY AND DO NOT CONSTITUTE REPRESENTATIONS OR WARRANTIES. THESE SPECIFICATIONS ARE SUBJECT TO BUYER'S INDEPENDENT VERIFICATION UPON INSPECTION.  
THE AIRCRAFT IS SUBJECT TO PRIOR SALE, LEASE AND/OR REMOVAL FROM THE MARKET WITHOUT PRIOR NOTICE. JULY 13, 2023 5:46 PM

**AVPROJETS.COM**  
info@avprojets.com

900 Bestgate Road Suite 412 Annapolis, MD 21401  
+1.410.573.1515

**Eddie Kilkeary III**  
ekilkeary@avprojets.com

**2007 Gulfstream G550 SN 5153 N269WR** - Registration to be Retained by Seller

---



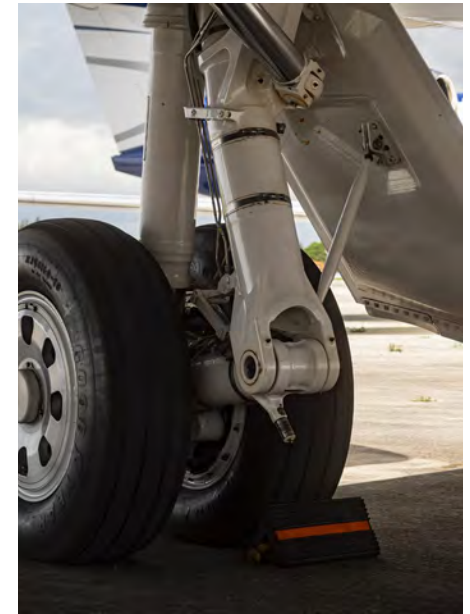
SPECIFICATIONS ARE PROVIDED FOR INFORMATIONAL PURPOSES ONLY AND DO NOT CONSTITUTE REPRESENTATIONS OR WARRANTIES. THESE SPECIFICATIONS ARE SUBJECT TO BUYER'S INDEPENDENT VERIFICATION UPON INSPECTION.  
THE AIRCRAFT IS SUBJECT TO PRIOR SALE, LEASE AND/OR REMOVAL FROM THE MARKET WITHOUT PRIOR NOTICE. JULY 13, 2023 5:46 PM

**AVPROJETS.COM**  
info@avprojets.com

900 Bestgate Road Suite 412 Annapolis, MD 21401  
+1.410.573.1515

**Eddie Kilkeary III**  
ekilkeary@avprojets.com

2007 Gulfstream G550 SN 5153 N269WR - Registration to be Retained by Seller



SPECIFICATIONS ARE PROVIDED FOR INFORMATIONAL PURPOSES ONLY AND DO NOT CONSTITUTE REPRESENTATIONS OR WARRANTIES. THESE SPECIFICATIONS ARE SUBJECT TO BUYER'S INDEPENDENT VERIFICATION UPON INSPECTION.  
THE AIRCRAFT IS SUBJECT TO PRIOR SALE, LEASE AND/OR REMOVAL FROM THE MARKET WITHOUT PRIOR NOTICE. JULY 13, 2023 5:46 PM

**AVPROJETS.COM**  
info@avprojets.com

900 Bestgate Road Suite 412 Annapolis, MD 21401  
+1.410.573.1515

**Eddie Kilkeary III**  
ekilkeary@avprojets.com

2007 Gulfstream G550 SN 5153 N269WR - Registration to be Retained by Seller



SPECIFICATIONS ARE PROVIDED FOR INFORMATIONAL PURPOSES ONLY AND DO NOT CONSTITUTE REPRESENTATIONS OR WARRANTIES. THESE SPECIFICATIONS ARE SUBJECT TO BUYER'S INDEPENDENT VERIFICATION UPON INSPECTION.  
THE AIRCRAFT IS SUBJECT TO PRIOR SALE, LEASE AND/OR REMOVAL FROM THE MARKET WITHOUT PRIOR NOTICE. JULY 13, 2023 5:46 PM

**AVPROJETS.COM**  
info@avprojets.com

900 Bestgate Road Suite 412 Annapolis, MD 21401  
+1.410.573.1515

**Eddie Kilkeary III**  
ekilkeary@avprojets.com

2007 Gulfstream G550 SN 5153 N269WR - Registration to be Retained by Seller



SPECIFICATIONS ARE PROVIDED FOR INFORMATIONAL PURPOSES ONLY AND DO NOT CONSTITUTE REPRESENTATIONS OR WARRANTIES. THESE SPECIFICATIONS ARE SUBJECT TO BUYER'S INDEPENDENT VERIFICATION UPON INSPECTION. THE AIRCRAFT IS SUBJECT TO PRIOR SALE, LEASE AND/OR REMOVAL FROM THE MARKET WITHOUT PRIOR NOTICE. JULY 13, 2023 5:46 PM

AVPROJETS.COM  
info@avprojets.com

900 Bestgate Road Suite 412 Annapolis, MD 21401  
+1.410.573.1515

Eddie Kilkeary III  
ekilkeary@avprojets.com

2007 Gulfstream G550 SN 5153 N269WR - Registration to be Retained by Seller



SPECIFICATIONS ARE PROVIDED FOR INFORMATIONAL PURPOSES ONLY AND DO NOT CONSTITUTE REPRESENTATIONS OR WARRANTIES. THESE SPECIFICATIONS ARE SUBJECT TO BUYER'S INDEPENDENT VERIFICATION UPON INSPECTION.  
THE AIRCRAFT IS SUBJECT TO PRIOR SALE, LEASE AND/OR REMOVAL FROM THE MARKET WITHOUT PRIOR NOTICE. JULY 13, 2023 5:46 PM

**AVPROJETS.COM**  
info@avprojets.com

900 Bestgate Road Suite 412 Annapolis, MD 21401  
+1.410.573.1515

**Eddie Kilkeary III**  
ekilkeary@avprojets.com



2007 Gulfstream G550 SN 5153 N269WR - Registration to be Retained by Seller



SPECIFICATIONS ARE PROVIDED FOR INFORMATIONAL PURPOSES ONLY AND DO NOT CONSTITUTE REPRESENTATIONS OR WARRANTIES. THESE SPECIFICATIONS ARE SUBJECT TO BUYER'S INDEPENDENT VERIFICATION UPON INSPECTION.  
THE AIRCRAFT IS SUBJECT TO PRIOR SALE, LEASE AND/OR REMOVAL FROM THE MARKET WITHOUT PRIOR NOTICE. JULY 13, 2023 5:46 PM

**AVPROJETS.COM**  
info@avprojets.com

900 Bestgate Road Suite 412 Annapolis, MD 21401  
+1.410.573.1515

**Eddie Kilkeary III**  
ekilkeary@avprojets.com

2007 Gulfstream G550 SN 5153 N269WR - Registration to be Retained by Seller



SPECIFICATIONS ARE PROVIDED FOR INFORMATIONAL PURPOSES ONLY AND DO NOT CONSTITUTE REPRESENTATIONS OR WARRANTIES. THESE SPECIFICATIONS ARE SUBJECT TO BUYER'S INDEPENDENT VERIFICATION UPON INSPECTION.  
THE AIRCRAFT IS SUBJECT TO PRIOR SALE, LEASE AND/OR REMOVAL FROM THE MARKET WITHOUT PRIOR NOTICE. JULY 13, 2023 5:46 PM

**AVPROJETS.COM**  
info@avprojets.com

900 Bestgate Road Suite 412 Annapolis, MD 21401  
+1.410.573.1515

**Eddie Kilkeary III**  
ekilkeary@avprojets.com

2007 Gulfstream G550 SN 5153 N269WR - Registration to be Retained by Seller



SPECIFICATIONS ARE PROVIDED FOR INFORMATIONAL PURPOSES ONLY AND DO NOT CONSTITUTE REPRESENTATIONS OR WARRANTIES. THESE SPECIFICATIONS ARE SUBJECT TO BUYER'S INDEPENDENT VERIFICATION UPON INSPECTION.  
THE AIRCRAFT IS SUBJECT TO PRIOR SALE, LEASE AND/OR REMOVAL FROM THE MARKET WITHOUT PRIOR NOTICE. JULY 13, 2023 5:46 PM

**AVPROJETS.COM**  
info@avprojets.com

900 Bestgate Road Suite 412 Annapolis, MD 21401  
+1.410.573.1515

**Eddie Kilkeary III**  
ekilkeary@avprojets.com

2007 Gulfstream G550 SN 5153 N269WR - Registration to be Retained by Seller



SPECIFICATIONS ARE PROVIDED FOR INFORMATIONAL PURPOSES ONLY AND DO NOT CONSTITUTE REPRESENTATIONS OR WARRANTIES. THESE SPECIFICATIONS ARE SUBJECT TO BUYER'S INDEPENDENT VERIFICATION UPON INSPECTION.  
THE AIRCRAFT IS SUBJECT TO PRIOR SALE, LEASE AND/OR REMOVAL FROM THE MARKET WITHOUT PRIOR NOTICE. JULY 13, 2023 5:46 PM

**AVPROJETS.COM**  
info@avprojets.com

900 Bestgate Road Suite 412 Annapolis, MD 21401  
+1.410.573.1515

**Eddie Kilkeary III**  
ekilkeary@avprojets.com

2007 Gulfstream G550 SN 5153 N269WR - Registration to be Retained by Seller



SPECIFICATIONS ARE PROVIDED FOR INFORMATIONAL PURPOSES ONLY AND DO NOT CONSTITUTE REPRESENTATIONS OR WARRANTIES. THESE SPECIFICATIONS ARE SUBJECT TO BUYER'S INDEPENDENT VERIFICATION UPON INSPECTION.  
THE AIRCRAFT IS SUBJECT TO PRIOR SALE, LEASE AND/OR REMOVAL FROM THE MARKET WITHOUT PRIOR NOTICE. JULY 13, 2023 5:46 PM

**AVPROJETS.COM**  
info@avprojets.com

900 Bestgate Road Suite 412 Annapolis, MD 21401  
+1.410.573.1515

**Eddie Kilkeary III**  
ekilkeary@avprojets.com

2007 Gulfstream G550 SN 5153 N269WR - Registration to be Retained by Seller



SPECIFICATIONS ARE PROVIDED FOR INFORMATIONAL PURPOSES ONLY AND DO NOT CONSTITUTE REPRESENTATIONS OR WARRANTIES. THESE SPECIFICATIONS ARE SUBJECT TO BUYER'S INDEPENDENT VERIFICATION UPON INSPECTION.  
THE AIRCRAFT IS SUBJECT TO PRIOR SALE, LEASE AND/OR REMOVAL FROM THE MARKET WITHOUT PRIOR NOTICE. JULY 13, 2023 5:46 PM

2007 Gulfstream G550 SN 5153 N269WR - Registration to be Retained by Seller



SPECIFICATIONS ARE PROVIDED FOR INFORMATIONAL PURPOSES ONLY AND DO NOT CONSTITUTE REPRESENTATIONS OR WARRANTIES. THESE SPECIFICATIONS ARE SUBJECT TO BUYER'S INDEPENDENT VERIFICATION UPON INSPECTION.  
THE AIRCRAFT IS SUBJECT TO PRIOR SALE, LEASE AND/OR REMOVAL FROM THE MARKET WITHOUT PRIOR NOTICE. JULY 13, 2023 5:46 PM

**AVPROJETS.COM**  
info@avprojets.com

900 Bestgate Road Suite 412 Annapolis, MD 21401  
+1.410.573.1515

**Eddie Kilkeary III**  
ekilkeary@avprojets.com

2007 Gulfstream G550 SN 5153 N269WR - Registration to be Retained by Seller



SPECIFICATIONS ARE PROVIDED FOR INFORMATIONAL PURPOSES ONLY AND DO NOT CONSTITUTE REPRESENTATIONS OR WARRANTIES. THESE SPECIFICATIONS ARE SUBJECT TO BUYER'S INDEPENDENT VERIFICATION UPON INSPECTION.  
THE AIRCRAFT IS SUBJECT TO PRIOR SALE, LEASE AND/OR REMOVAL FROM THE MARKET WITHOUT PRIOR NOTICE. JULY 13, 2023 5:46 PM

**AVPROJETS.COM**  
info@avprojets.com

900 Bestgate Road Suite 412 Annapolis, MD 21401  
+1.410.573.1515

**Eddie Kilkeary III**  
ekilkeary@avprojets.com



2007 Gulfstream G550 SN 5153 N269WR - Registration to be Retained by Seller



SPECIFICATIONS ARE PROVIDED FOR INFORMATIONAL PURPOSES ONLY AND DO NOT CONSTITUTE REPRESENTATIONS OR WARRANTIES. THESE SPECIFICATIONS ARE SUBJECT TO BUYER'S INDEPENDENT VERIFICATION UPON INSPECTION.  
THE AIRCRAFT IS SUBJECT TO PRIOR SALE, LEASE AND/OR REMOVAL FROM THE MARKET WITHOUT PRIOR NOTICE. JULY 13, 2023 5:46 PM

**AVPROJETS.COM**  
info@avprojets.com

900 Bestgate Road Suite 412 Annapolis, MD 21401  
+1.410.573.1515

**Eddie Kilkeary III**  
ekilkeary@avprojets.com

2007 Gulfstream G550 SN 5153 N269WR - Registration to be Retained by Seller



SPECIFICATIONS ARE PROVIDED FOR INFORMATIONAL PURPOSES ONLY AND DO NOT CONSTITUTE REPRESENTATIONS OR WARRANTIES. THESE SPECIFICATIONS ARE SUBJECT TO BUYER'S INDEPENDENT VERIFICATION UPON INSPECTION.  
THE AIRCRAFT IS SUBJECT TO PRIOR SALE, LEASE AND/OR REMOVAL FROM THE MARKET WITHOUT PRIOR NOTICE. JULY 13, 2023 5:46 PM

**AVPROJETS.COM**  
info@avprojets.com

900 Bestgate Road Suite 412 Annapolis, MD 21401  
+1.410.573.1515

**Eddie Kilkeary III**  
ekilkeary@avprojets.com

2007 Gulfstream G550 SN 5153 N269WR - Registration to be Retained by Seller



SPECIFICATIONS ARE PROVIDED FOR INFORMATIONAL PURPOSES ONLY AND DO NOT CONSTITUTE REPRESENTATIONS OR WARRANTIES. THESE SPECIFICATIONS ARE SUBJECT TO BUYER'S INDEPENDENT VERIFICATION UPON INSPECTION.  
THE AIRCRAFT IS SUBJECT TO PRIOR SALE, LEASE AND/OR REMOVAL FROM THE MARKET WITHOUT PRIOR NOTICE. JULY 13, 2023 5:46 PM

**AVPROJETS.COM**  
info@avprojets.com

900 Bestgate Road Suite 412 Annapolis, MD 21401  
+1.410.573.1515

**Eddie Kilkeary III**  
ekilkeary@avprojets.com

2007 Gulfstream G550 SN 5153 N269WR - Registration to be Retained by Seller



SPECIFICATIONS ARE PROVIDED FOR INFORMATIONAL PURPOSES ONLY AND DO NOT CONSTITUTE REPRESENTATIONS OR WARRANTIES. THESE SPECIFICATIONS ARE SUBJECT TO BUYER'S INDEPENDENT VERIFICATION UPON INSPECTION. THE AIRCRAFT IS SUBJECT TO PRIOR SALE, LEASE AND/OR REMOVAL FROM THE MARKET WITHOUT PRIOR NOTICE. JULY 13, 2023 5:46 PM

2007 Gulfstream G550 SN 5153 N269WR - Registration to be Retained by Seller



SPECIFICATIONS ARE PROVIDED FOR INFORMATIONAL PURPOSES ONLY AND DO NOT CONSTITUTE REPRESENTATIONS OR WARRANTIES. THESE SPECIFICATIONS ARE SUBJECT TO BUYER'S INDEPENDENT VERIFICATION UPON INSPECTION.  
THE AIRCRAFT IS SUBJECT TO PRIOR SALE, LEASE AND/OR REMOVAL FROM THE MARKET WITHOUT PRIOR NOTICE. JULY 13, 2023 5:46 PM

**AVPROJETS.COM**  
info@avprojets.com

900 Bestgate Road Suite 412 Annapolis, MD 21401  
+1.410.573.1515

**Eddie Kilkeary III**  
ekilkeary@avprojets.com

2007 Gulfstream G550 SN 5153 N269WR - Registration to be Retained by Seller



SPECIFICATIONS ARE PROVIDED FOR INFORMATIONAL PURPOSES ONLY AND DO NOT CONSTITUTE REPRESENTATIONS OR WARRANTIES. THESE SPECIFICATIONS ARE SUBJECT TO BUYER'S INDEPENDENT VERIFICATION UPON INSPECTION.  
THE AIRCRAFT IS SUBJECT TO PRIOR SALE, LEASE AND/OR REMOVAL FROM THE MARKET WITHOUT PRIOR NOTICE. JULY 13, 2023 5:46 PM

**AVPROJETS.COM**  
info@avprojets.com

900 Bestgate Road Suite 412 Annapolis, MD 21401  
+1.410.573.1515

**Eddie Kilkeary III**  
ekilkeary@avprojets.com

2007 Gulfstream G550 SN 5153 N269WR - Registration to be Retained by Seller



SPECIFICATIONS ARE PROVIDED FOR INFORMATIONAL PURPOSES ONLY AND DO NOT CONSTITUTE REPRESENTATIONS OR WARRANTIES. THESE SPECIFICATIONS ARE SUBJECT TO BUYER'S INDEPENDENT VERIFICATION UPON INSPECTION.  
THE AIRCRAFT IS SUBJECT TO PRIOR SALE, LEASE AND/OR REMOVAL FROM THE MARKET WITHOUT PRIOR NOTICE. JULY 13, 2023 5:46 PM

**AVPROJETS.COM**  
info@avprojets.com

900 Bestgate Road Suite 412 Annapolis, MD 21401  
+1.410.573.1515

**Eddie Kilkeary III**  
ekilkeary@avprojets.com

2007 Gulfstream G550 SN 5153 N269WR - Registration to be Retained by Seller



SPECIFICATIONS ARE PROVIDED FOR INFORMATIONAL PURPOSES ONLY AND DO NOT CONSTITUTE REPRESENTATIONS OR WARRANTIES. THESE SPECIFICATIONS ARE SUBJECT TO BUYER'S INDEPENDENT VERIFICATION UPON INSPECTION.  
THE AIRCRAFT IS SUBJECT TO PRIOR SALE, LEASE AND/OR REMOVAL FROM THE MARKET WITHOUT PRIOR NOTICE. JULY 13, 2023 5:46 PM

**AVPROJETS.COM**  
info@avprojets.com

900 Bestgate Road Suite 412 Annapolis, MD 21401  
+1.410.573.1515

**Eddie Kilkeary III**  
ekilkeary@avprojets.com



2007 Gulfstream G550 SN 5153 N269WR - Registration to be Retained by Seller



SPECIFICATIONS ARE PROVIDED FOR INFORMATIONAL PURPOSES ONLY AND DO NOT CONSTITUTE REPRESENTATIONS OR WARRANTIES. THESE SPECIFICATIONS ARE SUBJECT TO BUYER'S INDEPENDENT VERIFICATION UPON INSPECTION. THE AIRCRAFT IS SUBJECT TO PRIOR SALE, LEASE AND/OR REMOVAL FROM THE MARKET WITHOUT PRIOR NOTICE. JULY 13, 2023 5:46 PM

2007 Gulfstream G550 SN 5153 N269WR - Registration to be Retained by Seller



SPECIFICATIONS ARE PROVIDED FOR INFORMATIONAL PURPOSES ONLY AND DO NOT CONSTITUTE REPRESENTATIONS OR WARRANTIES. THESE SPECIFICATIONS ARE SUBJECT TO BUYER'S INDEPENDENT VERIFICATION UPON INSPECTION. THE AIRCRAFT IS SUBJECT TO PRIOR SALE, LEASE AND/OR REMOVAL FROM THE MARKET WITHOUT PRIOR NOTICE. JULY 13, 2023 5:46 PM

**AVPROJETS.COM**  
info@avprojets.com

900 Bestgate Road Suite 412 Annapolis, MD 21401  
+1.410.573.1515

**Eddie Kilkeary III**  
ekilkeary@avprojets.com



**AVPRO** INC.

▪ CELEBRATING **30** YEARS OF EXCELLENCE ▪

We perform for our clients, averaging two transactions a week.

We match aircraft to your specifications in a professional and timely manner, allowing you to concentrate on your business, leaving the important details of marketing, market research, negotiating and contracting to us.

Avpro offers aircraft financing advisory services. We have the expertise to navigate the appropriate structure, costs and terms to help you meet your objectives. We are ready to provide advice, analysis and sourcing of the lender best suited to meet your requirements.

---

SERVING CUSTOMERS  
AROUND THE GLOBE

---

**Talk to Us**

**info@avprojets.com**

**+1.410.573.1515**

**Connect with Us**



**AVPROJETS.COM**  
info@avprojets.com

900 Bestgate Road Suite 412 Annapolis, MD 21401  
+1.410.573.1515

**Eddie Kilkeary III**  
ekilkeary@avprojets.com