

2006 Gulfstream ^{SN} 4047

G450



CLICK TO VIEW
VIRTUAL TOUR



AVPRO INC.
www.avprojets.com

EXECUTIVE SALES DIRECTOR

Eddie Kilkeary III
ekilkeary@avprojets.com
+1.410.573.1515

2006 Gulfstream G450 SN 4047 N818BK

Aircraft Listing Details:

Total Hours: 5959
Total Landings: 2518

Engines: Rolls Royce PLC TAY611-8C

	#1	#2
Total Hours:	5874	5875
Engine Cycles:	2474	2446
Serial Numbers:	85122	85123

APU: Honeywell GTCP36-150(GIV)

Total Hours: 4595
Serial Number: P-156

Aircraft Highlights:

- Exceptional Ownership Pedigree
- Engines Enrolled on JSSI Platinum
- APU Enrolled on JSSI
- Airframe Enrolled on JSSI Tip-To-Tail
- KU Band + ATG-4000 Wi-Fi
- Standard Aft Galley 14 Pax Floorplan
- New Paint - Q4 2017

Avionics:

- Honeywell Primus Epic PlaneView Cockpit w/Enhanced Foxtrot
- Honeywell Primus Epic Integrated Flight Control System
- Four (4) Honeywell DU-1310 Flat Panel EFIS Displays
- Dual Primus II NAV/COMMs
- Honeywell MT-860 Third NAV/COMM
- Dual Honeywell DF-855 ADFs
- Dual Honeywell DME-855 DMEs
- Dual Honeywell MRC-855A Modular Radio Cabinets
- Triple Honeywell AV-900 Audio Panels
- Triple Honeywell AZ-200 Air Data Modules
- Honeywell / Kollsman Visual Guidance System (EVS)
- Honeywell Head Up Display (HUD)
- Dual Honeywell XS-858B Transponders w/ADS-B Out
- Triple Epic 7.1 (Cert. Foxtrot Enhanced) FMS
- Dual Honeywell GPM Series 24 Channel GPS
- Triple Honeywell LASEREF V Micro IRS
- Honeywell WU-880 Weather Radar w/Dual WC-874 Controllers
- Dual Honeywell RT-300 Radio Altimeters
- Goodrich EBDI-4000 Radio Magnetic Indicator
- Honeywell EGPWS w/Windshear
- ACSS TR-951 TCAS 2000 w/Change 7.1
- Honeywell AR-120 Cockpit Voice Recorder
- L3 Communications Flight Data Recorder (57 Parameters)
- L3 GH-3100 Electronic Standby System

SPECIFICATIONS ARE PROVIDED FOR INFORMATIONAL PURPOSES ONLY AND DO NOT CONSTITUTE REPRESENTATIONS OR WARRANTIES. THESE SPECIFICATIONS ARE SUBJECT TO BUYER'S INDEPENDENT VERIFICATION UPON INSPECTION.
THE AIRCRAFT IS SUBJECT TO PRIOR SALE, LEASE AND/OR REMOVAL FROM THE MARKET WITHOUT PRIOR NOTICE. NOVEMBER 12, 2024 2:31 PM

2006 Gulfstream G450 SN 4047 N818BK

Connectivity:

- ATG-4000 Gogo Wi-Fi
- Swift Broadband
- Honeywell MCS 7000 SATCOM
- Honeywell HD710 HS Data w/CNX 100 Wireless Router
- KU-Band Viaband High Speed Data System w/VOIP
- Inmarsat Satellite Phone
- SATCOM Direct KU-Satellite Wi-Fi
- Five (5) Handsets (Cockpit, Galley & Cabin)
- LAN

Entertainment:

- Cabin Audio System
- Airshow 4000
- 20" LCD Forward Bulkhead Monitor
- 17" LCD Credenza Monitor
- Six (6) 7" LCD Monitors
- CD Player
- Phillips Pronto Pro TSU 7000 Remote Controller
- Aerial View AV460 Video Camera System
- Aux Audio/Video Jacks (Credenza)
- PC Video Jack (Conference Group)
- No. 2 (60HZ) Converter

Maintenance Programs:

- Engines on JSSI Platinum
- APU on JSSI
- Airframe Enrolled on JSSI Tip-To-Tail

Navigation Compliance:

- Triple Epic 7.1 (Cert. Foxtrot Enhanced) FMS
- Honeywell / Kollsman Visual Guidance System (EVS)
- Honeywell Head Up Display (HUD)
- ACSS TR-951 TCAS 2000 w/Change 7.1
- ADS-B Out

Features/Options:

- SecuraPlane Security System w/Three (3) External Cameras
- Cockpit Glareshield
- Dual Davtron M877 Digital Clocks
- Miltope Cockpit Printer
- AutoThrottles
- Electric Window Shades
- Baggage Fold Down Shelf
- Rechargeable Maglites
- Convection Oven
- Microwave Oven
- Dual TIA Coffee Maker
- Gasper Cooling Unit

SPECIFICATIONS ARE PROVIDED FOR INFORMATIONAL PURPOSES ONLY AND DO NOT CONSTITUTE REPRESENTATIONS OR WARRANTIES. THESE SPECIFICATIONS ARE SUBJECT TO BUYER'S INDEPENDENT VERIFICATION UPON INSPECTION.
THE AIRCRAFT IS SUBJECT TO PRIOR SALE, LEASE AND/OR REMOVAL FROM THE MARKET WITHOUT PRIOR NOTICE. NOVEMBER 12, 2024 2:31 PM

2006 Gulfstream G450 SN 4047 N818BK

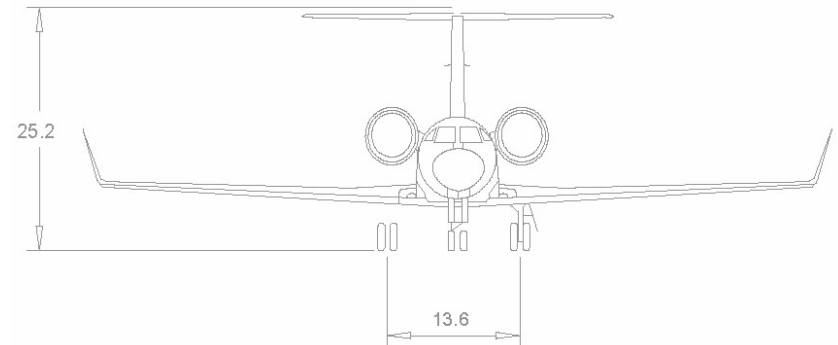
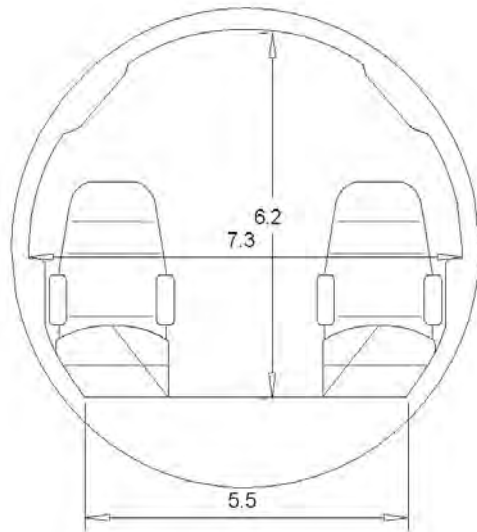
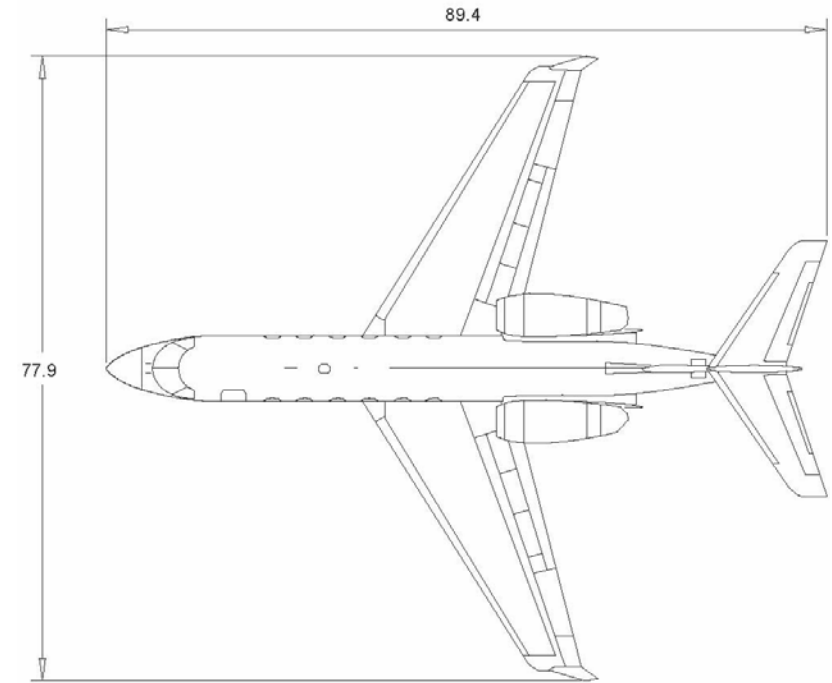
Interior:

Universal Aft Galley Fourteen (14) Passenger Executive Configuration.

- Forward Refreshment Center & Aft Full-Service Galley
- Forward Four (4) Place Club
- Mid Four (4) Place Divan Opposite a Two (2) Place Club
- Aft Four (4) Place Conference Group Opposite a Divan
- Forward Crew & Aft Passenger Lavatories

Exterior: (New Paint - Q4 2017)

White Upper Fuselage, Dark Blue Lower Fuselage w/Light Gray Accent Striping.



SPECIFICATIONS ARE PROVIDED FOR INFORMATIONAL PURPOSES ONLY AND DO NOT CONSTITUTE REPRESENTATIONS OR WARRANTIES. THESE SPECIFICATIONS ARE SUBJECT TO BUYER'S INDEPENDENT VERIFICATION UPON INSPECTION.
THE AIRCRAFT IS SUBJECT TO PRIOR SALE, LEASE AND/OR REMOVAL FROM THE MARKET WITHOUT PRIOR NOTICE. NOVEMBER 12, 2024 2:31 PM

2006 Gulfstream G450 SN 4047 N818BK



SPECIFICATIONS ARE PROVIDED FOR INFORMATIONAL PURPOSES ONLY AND DO NOT CONSTITUTE REPRESENTATIONS OR WARRANTIES. THESE SPECIFICATIONS ARE SUBJECT TO BUYER'S INDEPENDENT VERIFICATION UPON INSPECTION.
THE AIRCRAFT IS SUBJECT TO PRIOR SALE, LEASE AND/OR REMOVAL FROM THE MARKET WITHOUT PRIOR NOTICE. NOVEMBER 12, 2024 2:31 PM

AVPROJETS.COM
info@avprojets.com

900 Bestgate Road Suite 412 Annapolis, MD 21401
+1.410.573.1515

Eddie Kilkeary III
ekilkeary@avprojets.com

2006 Gulfstream G450 SN 4047 N818BK



SPECIFICATIONS ARE PROVIDED FOR INFORMATIONAL PURPOSES ONLY AND DO NOT CONSTITUTE REPRESENTATIONS OR WARRANTIES. THESE SPECIFICATIONS ARE SUBJECT TO BUYER'S INDEPENDENT VERIFICATION UPON INSPECTION.
THE AIRCRAFT IS SUBJECT TO PRIOR SALE, LEASE AND/OR REMOVAL FROM THE MARKET WITHOUT PRIOR NOTICE. NOVEMBER 12, 2024 2:31 PM

AVPROJETS.COM
info@avprojets.com

900 Bestgate Road Suite 412 Annapolis, MD 21401
+1.410.573.1515

Eddie Kilkeary III
ekilkeary@avprojets.com

2006 Gulfstream G450 SN 4047 N818BK



SPECIFICATIONS ARE PROVIDED FOR INFORMATIONAL PURPOSES ONLY AND DO NOT CONSTITUTE REPRESENTATIONS OR WARRANTIES. THESE SPECIFICATIONS ARE SUBJECT TO BUYER'S INDEPENDENT VERIFICATION UPON INSPECTION.
THE AIRCRAFT IS SUBJECT TO PRIOR SALE, LEASE AND/OR REMOVAL FROM THE MARKET WITHOUT PRIOR NOTICE. NOVEMBER 12, 2024 2:31 PM

AVPROJETS.COM
info@avprojets.com

900 Bestgate Road Suite 412 Annapolis, MD 21401
+1.410.573.1515

Eddie Kilkeary III
ekilkeary@avprojets.com

2006 Gulfstream G450 SN 4047 N818BK



SPECIFICATIONS ARE PROVIDED FOR INFORMATIONAL PURPOSES ONLY AND DO NOT CONSTITUTE REPRESENTATIONS OR WARRANTIES. THESE SPECIFICATIONS ARE SUBJECT TO BUYER'S INDEPENDENT VERIFICATION UPON INSPECTION.
THE AIRCRAFT IS SUBJECT TO PRIOR SALE, LEASE AND/OR REMOVAL FROM THE MARKET WITHOUT PRIOR NOTICE. NOVEMBER 12, 2024 2:31 PM

AVPROJETS.COM
info@avprojets.com

900 Bestgate Road Suite 412 Annapolis, MD 21401
+1.410.573.1515

Eddie Kilkeary III
ekilkeary@avprojets.com

2006 Gulfstream G450 SN 4047 N818BK



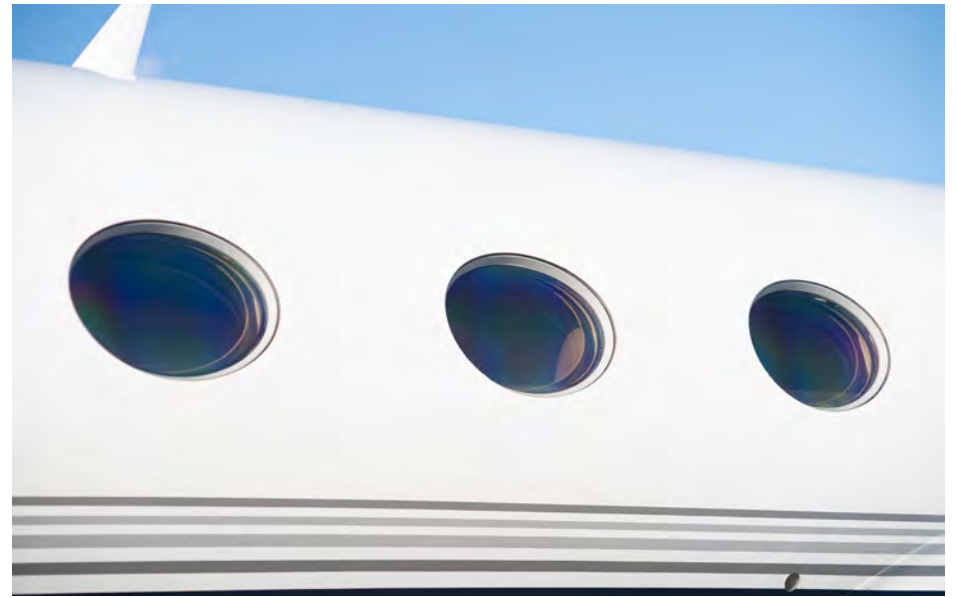
SPECIFICATIONS ARE PROVIDED FOR INFORMATIONAL PURPOSES ONLY AND DO NOT CONSTITUTE REPRESENTATIONS OR WARRANTIES. THESE SPECIFICATIONS ARE SUBJECT TO BUYER'S INDEPENDENT VERIFICATION UPON INSPECTION.
THE AIRCRAFT IS SUBJECT TO PRIOR SALE, LEASE AND/OR REMOVAL FROM THE MARKET WITHOUT PRIOR NOTICE. NOVEMBER 12, 2024 2:31 PM

AVPROJETS.COM
info@avprojets.com

900 Bestgate Road Suite 412 Annapolis, MD 21401
+1.410.573.1515

Eddie Kilkeary III
ekilkeary@avprojets.com

2006 Gulfstream G450 SN 4047 N818BK



SPECIFICATIONS ARE PROVIDED FOR INFORMATIONAL PURPOSES ONLY AND DO NOT CONSTITUTE REPRESENTATIONS OR WARRANTIES. THESE SPECIFICATIONS ARE SUBJECT TO BUYER'S INDEPENDENT VERIFICATION UPON INSPECTION.
THE AIRCRAFT IS SUBJECT TO PRIOR SALE, LEASE AND/OR REMOVAL FROM THE MARKET WITHOUT PRIOR NOTICE. NOVEMBER 12, 2024 2:31 PM

AVPROJETS.COM
info@avprojets.com

900 Bestgate Road Suite 412 Annapolis, MD 21401
+1.410.573.1515

Eddie Kilkeary III
ekilkeary@avprojets.com

2006 Gulfstream G450 SN 4047 N818BK



SPECIFICATIONS ARE PROVIDED FOR INFORMATIONAL PURPOSES ONLY AND DO NOT CONSTITUTE REPRESENTATIONS OR WARRANTIES. THESE SPECIFICATIONS ARE SUBJECT TO BUYER'S INDEPENDENT VERIFICATION UPON INSPECTION.
THE AIRCRAFT IS SUBJECT TO PRIOR SALE, LEASE AND/OR REMOVAL FROM THE MARKET WITHOUT PRIOR NOTICE. NOVEMBER 12, 2024 2:31 PM

AVPROJETS.COM
info@avprojets.com

900 Bestgate Road Suite 412 Annapolis, MD 21401
+1.410.573.1515

Eddie Kilkeary III
ekilkeary@avprojets.com

2006 Gulfstream G450 SN 4047 N818BK



SPECIFICATIONS ARE PROVIDED FOR INFORMATIONAL PURPOSES ONLY AND DO NOT CONSTITUTE REPRESENTATIONS OR WARRANTIES. THESE SPECIFICATIONS ARE SUBJECT TO BUYER'S INDEPENDENT VERIFICATION UPON INSPECTION.
THE AIRCRAFT IS SUBJECT TO PRIOR SALE, LEASE AND/OR REMOVAL FROM THE MARKET WITHOUT PRIOR NOTICE. NOVEMBER 12, 2024 2:31 PM

AVPROJETS.COM
info@avprojets.com

900 Bestgate Road Suite 412 Annapolis, MD 21401
+1.410.573.1515

Eddie Kilkeary III
ekilkeary@avprojets.com

2006 Gulfstream G450 SN 4047 N818BK



SPECIFICATIONS ARE PROVIDED FOR INFORMATIONAL PURPOSES ONLY AND DO NOT CONSTITUTE REPRESENTATIONS OR WARRANTIES. THESE SPECIFICATIONS ARE SUBJECT TO BUYER'S INDEPENDENT VERIFICATION UPON INSPECTION. THE AIRCRAFT IS SUBJECT TO PRIOR SALE, LEASE AND/OR REMOVAL FROM THE MARKET WITHOUT PRIOR NOTICE. NOVEMBER 12, 2024 2:31 PM

AVPROJETS.COM
info@avprojets.com

900 Bestgate Road Suite 412 Annapolis, MD 21401
+1.410.573.1515

Eddie Kilkeary III
ekilkeary@avprojets.com

2006 Gulfstream G450 SN 4047 N818BK



SPECIFICATIONS ARE PROVIDED FOR INFORMATIONAL PURPOSES ONLY AND DO NOT CONSTITUTE REPRESENTATIONS OR WARRANTIES. THESE SPECIFICATIONS ARE SUBJECT TO BUYER'S INDEPENDENT VERIFICATION UPON INSPECTION.
THE AIRCRAFT IS SUBJECT TO PRIOR SALE, LEASE AND/OR REMOVAL FROM THE MARKET WITHOUT PRIOR NOTICE. NOVEMBER 12, 2024 2:31 PM

AVPROJETS.COM
info@avprojets.com

900 Bestgate Road Suite 412 Annapolis, MD 21401
+1.410.573.1515

Eddie Kilkeary III
ekilkeary@avprojets.com

2006 Gulfstream G450 SN 4047 N818BK



SPECIFICATIONS ARE PROVIDED FOR INFORMATIONAL PURPOSES ONLY AND DO NOT CONSTITUTE REPRESENTATIONS OR WARRANTIES. THESE SPECIFICATIONS ARE SUBJECT TO BUYER'S INDEPENDENT VERIFICATION UPON INSPECTION.
THE AIRCRAFT IS SUBJECT TO PRIOR SALE, LEASE AND/OR REMOVAL FROM THE MARKET WITHOUT PRIOR NOTICE. NOVEMBER 12, 2024 2:31 PM

AVPROJETS.COM
info@avprojets.com

900 Bestgate Road Suite 412 Annapolis, MD 21401
+1.410.573.1515

Eddie Kilkeary III
ekilkeary@avprojets.com

2006 Gulfstream G450 SN 4047 N818BK



SPECIFICATIONS ARE PROVIDED FOR INFORMATIONAL PURPOSES ONLY AND DO NOT CONSTITUTE REPRESENTATIONS OR WARRANTIES. THESE SPECIFICATIONS ARE SUBJECT TO BUYER'S INDEPENDENT VERIFICATION UPON INSPECTION.
THE AIRCRAFT IS SUBJECT TO PRIOR SALE, LEASE AND/OR REMOVAL FROM THE MARKET WITHOUT PRIOR NOTICE. NOVEMBER 12, 2024 2:31 PM

AVPROJETS.COM
info@avprojets.com

900 Bestgate Road Suite 412 Annapolis, MD 21401
+1.410.573.1515

Eddie Kilkeary III
ekilkeary@avprojets.com

2006 Gulfstream G450 SN 4047 N818BK



SPECIFICATIONS ARE PROVIDED FOR INFORMATIONAL PURPOSES ONLY AND DO NOT CONSTITUTE REPRESENTATIONS OR WARRANTIES. THESE SPECIFICATIONS ARE SUBJECT TO BUYER'S INDEPENDENT VERIFICATION UPON INSPECTION.
THE AIRCRAFT IS SUBJECT TO PRIOR SALE, LEASE AND/OR REMOVAL FROM THE MARKET WITHOUT PRIOR NOTICE. NOVEMBER 12, 2024 2:31 PM

AVPROJETS.COM
info@avprojets.com

900 Bestgate Road Suite 412 Annapolis, MD 21401
+1.410.573.1515

Eddie Kilkeary III
ekilkeary@avprojets.com



SPECIFICATIONS ARE PROVIDED FOR INFORMATIONAL PURPOSES ONLY AND DO NOT CONSTITUTE REPRESENTATIONS OR WARRANTIES. THESE SPECIFICATIONS ARE SUBJECT TO BUYER'S INDEPENDENT VERIFICATION UPON INSPECTION.
THE AIRCRAFT IS SUBJECT TO PRIOR SALE, LEASE AND/OR REMOVAL FROM THE MARKET WITHOUT PRIOR NOTICE. NOVEMBER 12, 2024 2:31 PM

2006 Gulfstream G450 SN 4047 N818BK



SPECIFICATIONS ARE PROVIDED FOR INFORMATIONAL PURPOSES ONLY AND DO NOT CONSTITUTE REPRESENTATIONS OR WARRANTIES. THESE SPECIFICATIONS ARE SUBJECT TO BUYER'S INDEPENDENT VERIFICATION UPON INSPECTION.
THE AIRCRAFT IS SUBJECT TO PRIOR SALE, LEASE AND/OR REMOVAL FROM THE MARKET WITHOUT PRIOR NOTICE. NOVEMBER 12, 2024 2:31 PM

AVPROJETS.COM
info@avprojets.com

900 Bestgate Road Suite 412 Annapolis, MD 21401
+1.410.573.1515

Eddie Kilkeary III
ekilkeary@avprojets.com

2006 Gulfstream G450 SN 4047 N818BK



SPECIFICATIONS ARE PROVIDED FOR INFORMATIONAL PURPOSES ONLY AND DO NOT CONSTITUTE REPRESENTATIONS OR WARRANTIES. THESE SPECIFICATIONS ARE SUBJECT TO BUYER'S INDEPENDENT VERIFICATION UPON INSPECTION.
THE AIRCRAFT IS SUBJECT TO PRIOR SALE, LEASE AND/OR REMOVAL FROM THE MARKET WITHOUT PRIOR NOTICE. NOVEMBER 12, 2024 2:31 PM

AVPROJETS.COM
info@avprojets.com

900 Bestgate Road Suite 412 Annapolis, MD 21401
+1.410.573.1515

Eddie Kilkeary III
ekilkeary@avprojets.com

2006 Gulfstream G450 SN 4047 N818BK



SPECIFICATIONS ARE PROVIDED FOR INFORMATIONAL PURPOSES ONLY AND DO NOT CONSTITUTE REPRESENTATIONS OR WARRANTIES. THESE SPECIFICATIONS ARE SUBJECT TO BUYER'S INDEPENDENT VERIFICATION UPON INSPECTION.
THE AIRCRAFT IS SUBJECT TO PRIOR SALE, LEASE AND/OR REMOVAL FROM THE MARKET WITHOUT PRIOR NOTICE. NOVEMBER 12, 2024 2:31 PM

AVPROJETS.COM
info@avprojets.com

900 Bestgate Road Suite 412 Annapolis, MD 21401
+1.410.573.1515

Eddie Kilkeary III
ekilkeary@avprojets.com

2006 Gulfstream G450 SN 4047 N818BK



SPECIFICATIONS ARE PROVIDED FOR INFORMATIONAL PURPOSES ONLY AND DO NOT CONSTITUTE REPRESENTATIONS OR WARRANTIES. THESE SPECIFICATIONS ARE SUBJECT TO BUYER'S INDEPENDENT VERIFICATION UPON INSPECTION.
THE AIRCRAFT IS SUBJECT TO PRIOR SALE, LEASE AND/OR REMOVAL FROM THE MARKET WITHOUT PRIOR NOTICE. NOVEMBER 12, 2024 2:31 PM

AVPROJETS.COM
info@avprojets.com

900 Bestgate Road Suite 412 Annapolis, MD 21401
+1.410.573.1515

Eddie Kilkeary III
ekilkeary@avprojets.com

2006 Gulfstream G450 SN 4047 N818BK



SPECIFICATIONS ARE PROVIDED FOR INFORMATIONAL PURPOSES ONLY AND DO NOT CONSTITUTE REPRESENTATIONS OR WARRANTIES. THESE SPECIFICATIONS ARE SUBJECT TO BUYER'S INDEPENDENT VERIFICATION UPON INSPECTION. THE AIRCRAFT IS SUBJECT TO PRIOR SALE, LEASE AND/OR REMOVAL FROM THE MARKET WITHOUT PRIOR NOTICE. NOVEMBER 12, 2024 2:31 PM

AVPROJETS.COM
info@avprojets.com

900 Bestgate Road Suite 412 Annapolis, MD 21401
+1.410.573.1515

Eddie Kilkeary III
ekilkeary@avprojets.com

2006 Gulfstream G450 SN 4047 N818BK



SPECIFICATIONS ARE PROVIDED FOR INFORMATIONAL PURPOSES ONLY AND DO NOT CONSTITUTE REPRESENTATIONS OR WARRANTIES. THESE SPECIFICATIONS ARE SUBJECT TO BUYER'S INDEPENDENT VERIFICATION UPON INSPECTION.
THE AIRCRAFT IS SUBJECT TO PRIOR SALE, LEASE AND/OR REMOVAL FROM THE MARKET WITHOUT PRIOR NOTICE. NOVEMBER 12, 2024 2:31 PM

AVPROJETS.COM
info@avprojets.com

900 Bestgate Road Suite 412 Annapolis, MD 21401
+1.410.573.1515

Eddie Kilkeary III
ekilkeary@avprojets.com

2006 Gulfstream G450 SN 4047 N818BK



SPECIFICATIONS ARE PROVIDED FOR INFORMATIONAL PURPOSES ONLY AND DO NOT CONSTITUTE REPRESENTATIONS OR WARRANTIES. THESE SPECIFICATIONS ARE SUBJECT TO BUYER'S INDEPENDENT VERIFICATION UPON INSPECTION. THE AIRCRAFT IS SUBJECT TO PRIOR SALE, LEASE AND/OR REMOVAL FROM THE MARKET WITHOUT PRIOR NOTICE. NOVEMBER 12, 2024 2:31 PM

2006 Gulfstream G450 SN 4047 N818BK



SPECIFICATIONS ARE PROVIDED FOR INFORMATIONAL PURPOSES ONLY AND DO NOT CONSTITUTE REPRESENTATIONS OR WARRANTIES. THESE SPECIFICATIONS ARE SUBJECT TO BUYER'S INDEPENDENT VERIFICATION UPON INSPECTION.
THE AIRCRAFT IS SUBJECT TO PRIOR SALE, LEASE AND/OR REMOVAL FROM THE MARKET WITHOUT PRIOR NOTICE. NOVEMBER 12, 2024 2:31 PM

AVPROJETS.COM
info@avprojets.com

900 Bestgate Road Suite 412 Annapolis, MD 21401
+1.410.573.1515

Eddie Kilkeary III
ekilkeary@avprojets.com

2006 Gulfstream G450 SN 4047 N818BK



SPECIFICATIONS ARE PROVIDED FOR INFORMATIONAL PURPOSES ONLY AND DO NOT CONSTITUTE REPRESENTATIONS OR WARRANTIES. THESE SPECIFICATIONS ARE SUBJECT TO BUYER'S INDEPENDENT VERIFICATION UPON INSPECTION. THE AIRCRAFT IS SUBJECT TO PRIOR SALE, LEASE AND/OR REMOVAL FROM THE MARKET WITHOUT PRIOR NOTICE. NOVEMBER 12, 2024 2:31 PM

2006 Gulfstream G450 SN 4047 N818BK



SPECIFICATIONS ARE PROVIDED FOR INFORMATIONAL PURPOSES ONLY AND DO NOT CONSTITUTE REPRESENTATIONS OR WARRANTIES. THESE SPECIFICATIONS ARE SUBJECT TO BUYER'S INDEPENDENT VERIFICATION UPON INSPECTION.
THE AIRCRAFT IS SUBJECT TO PRIOR SALE, LEASE AND/OR REMOVAL FROM THE MARKET WITHOUT PRIOR NOTICE. NOVEMBER 12, 2024 2:31 PM

AVPROJETS.COM
info@avprojets.com

900 Bestgate Road Suite 412 Annapolis, MD 21401
+1.410.573.1515

Eddie Kilkeary III
ekilkeary@avprojets.com

2006 Gulfstream G450 SN 4047 N818BK



SPECIFICATIONS ARE PROVIDED FOR INFORMATIONAL PURPOSES ONLY AND DO NOT CONSTITUTE REPRESENTATIONS OR WARRANTIES. THESE SPECIFICATIONS ARE SUBJECT TO BUYER'S INDEPENDENT VERIFICATION UPON INSPECTION.
THE AIRCRAFT IS SUBJECT TO PRIOR SALE, LEASE AND/OR REMOVAL FROM THE MARKET WITHOUT PRIOR NOTICE. NOVEMBER 12, 2024 2:31 PM

AVPROJETS.COM
info@avprojets.com

900 Bestgate Road Suite 412 Annapolis, MD 21401
+1.410.573.1515

Eddie Kilkeary III
ekilkeary@avprojets.com

2006 Gulfstream G450 SN 4047 N818BK



SPECIFICATIONS ARE PROVIDED FOR INFORMATIONAL PURPOSES ONLY AND DO NOT CONSTITUTE REPRESENTATIONS OR WARRANTIES. THESE SPECIFICATIONS ARE SUBJECT TO BUYER'S INDEPENDENT VERIFICATION UPON INSPECTION.
THE AIRCRAFT IS SUBJECT TO PRIOR SALE, LEASE AND/OR REMOVAL FROM THE MARKET WITHOUT PRIOR NOTICE. NOVEMBER 12, 2024 2:31 PM

AVPROJETS.COM
info@avprojets.com

900 Bestgate Road Suite 412 Annapolis, MD 21401
+1.410.573.1515

Eddie Kilkeary III
ekilkeary@avprojets.com

2006 Gulfstream G450 SN 4047 N818BK



SPECIFICATIONS ARE PROVIDED FOR INFORMATIONAL PURPOSES ONLY AND DO NOT CONSTITUTE REPRESENTATIONS OR WARRANTIES. THESE SPECIFICATIONS ARE SUBJECT TO BUYER'S INDEPENDENT VERIFICATION UPON INSPECTION.
THE AIRCRAFT IS SUBJECT TO PRIOR SALE, LEASE AND/OR REMOVAL FROM THE MARKET WITHOUT PRIOR NOTICE. NOVEMBER 12, 2024 2:31 PM

AVPROJETS.COM
info@avprojets.com

900 Bestgate Road Suite 412 Annapolis, MD 21401
+1.410.573.1515

Eddie Kilkeary III
ekilkeary@avprojets.com

2006 Gulfstream G450 SN 4047 N818BK



SPECIFICATIONS ARE PROVIDED FOR INFORMATIONAL PURPOSES ONLY AND DO NOT CONSTITUTE REPRESENTATIONS OR WARRANTIES. THESE SPECIFICATIONS ARE SUBJECT TO BUYER'S INDEPENDENT VERIFICATION UPON INSPECTION. THE AIRCRAFT IS SUBJECT TO PRIOR SALE, LEASE AND/OR REMOVAL FROM THE MARKET WITHOUT PRIOR NOTICE. NOVEMBER 14, 2024 10:14 AM



AVPRO INC.

CELEBRATING OVER **30** YEARS OF EXCELLENCE

We perform for our clients, averaging two transactions a week.

We match aircraft to your specifications in a professional and timely manner, allowing you to concentrate on your business, leaving the important details of marketing, market research, negotiating and contracting to us.

Avpro offers aircraft financing advisory services. We have the expertise to navigate the appropriate structure, costs and terms to help you meet your objectives. We are ready to provide advice, analysis and sourcing of the lender best suited to meet your requirements.

SERVING CUSTOMERS
AROUND THE GLOBE

Talk to Us

info@avprojets.com

+1.410.573.1515

Connect with Us

