

2022 Gulfstream ^{SN} 2230

G280



PLAY
VIDEO



AVPRO INC.
www.avprojets.com

MANAGING PARTNER

Chris Ellis
cellis@avprojets.com
+1.410.573.1515

2022 Gulfstream G280 SN 2230 N319WG

Aircraft Listing Details:

Total Hours: 1032
Total Landings: 476

Engines: Honeywell AS907-2-1G

	#1	#2
Total Hours:	1052	1052
Engine Cycles:	491	491
Serial Numbers:	P130585	P130586

APU: Honeywell GTCP36-150

Total Hours: 705
Serial Number: P-339

Aircraft Highlights:

- One U.S. Owner Since New
- Gulfstream Manufacturer Warranties
- GoGo Biz AVANCE L5 Internet
- Sirius XM Weather - Single IFIS
- HUD / EVS
- Gulfstream Cabin Management System (GCMS)
- Ten (10) Passenger Configuration

Avionics:

- Gulfstream PlaneView™ Flight Deck
- Dual Automatic Flight Guidance Systems
- Triple LCD Electronic Display Units
- Triple Integrated Processor Cabinets
- Dual Control Display Units
- Dual Channel Data Concentrator Units
- Dual Standby Multifunction Controllers
- Dual VOR/ILS/MBs
- Dual VHF COMMs
- Dual VHF NAVs
- Dual DMEs
- Automatic Direction Finder
- Dual Air Data Computers
- Mode “S” Transponders
- Dual Pro Line Fusion Flight Management System (FMS)
- Dual 12-Channel GPS Receivers
- TCAS II w/Change 7.1
- Terrain Awareness Warning System
- Dual Attitude Heading Reference Units
- Radio Altimeters
- Dual Cursor Control Devices
- Dual Auto Throttle Systems
- Sirius XM Weather - Single IFIS
- Multi-Scan Color Weather Radar
- Surface Management System (SMS)
- Takeoff/Landing Awareness Predictive Windshear (PWS)
- Vertical Weather
- HF COMM
- Part 135 Flight Recorder System FDR/CVR
- Emergency Locator Transmitter (ELT)

SPECIFICATIONS ARE PROVIDED FOR INFORMATIONAL PURPOSES ONLY AND DO NOT CONSTITUTE REPRESENTATIONS OR WARRANTIES. THESE SPECIFICATIONS ARE SUBJECT TO BUYER'S INDEPENDENT VERIFICATION UPON INSPECTION.
THE AIRCRAFT IS SUBJECT TO PRIOR SALE, LEASE AND/OR REMOVAL FROM THE MARKET WITHOUT PRIOR NOTICE. MARCH 5, 2025 3:25 PM

2022 Gulfstream G280 SN 2230 N319WG

Connectivity:

- Gogo Business Aviation AVANCE L5 Internet
 - CG Nxt-Link 220A Iridium Satcom
-

Entertainment:

- Gulfstream CabinView™ Flight Info System w/Worldwide Maps
 - Gulfstream Cabin Management System (GCMS)
 - Gulfstream HD Audio/Video Distribution System (AVDS)
 - Dual-slot Blu-ray/DVD/CD Player
 - 22" HD LCD LH Aft Bulkhead Monitor
 - 19" HD LCD Fwd Bulkhead Monitor
 - Auxiliary High-Definition Multimedia Input (HDMI) Jack
 - USB Charging Ports
 - 115/60Hz Outlets
-

Navigation Compliance:

- Automatic Dependent Surveillance-Broadcast (ADS-8) Out
 - HUD/EVS
 - TCAS II w/Change 7.1
 - FANS-1A Data Link
 - Synthetic Vision System (Provisions Only)
-

Features/Options:

- Whelen Technologies LED Landing & Taxi Lights
- Dual Electronic Charts & Overlays
- Cockpit Jump Seat
- Onboard Maintenance System
- Passenger Address Systems
- Flight Deck Privacy Curtain
- Towbar
- Convection Oven
- Coffee Maker

Interior:

Ten (10) Passenger Floorplan, Forward Four (4) Place Club, Aft Four (4) Place Conference Group Opposite a Two (2) Place Club and an Aft Vacuum Lavatory.

- Sleeps Up to Five (5) Passengers
- Two (2) Console Tables
- Forward Cabin Pocket Door
- Recliner-Type Leg Rest on Single Seats (2)
- Gulfstream Supplied China/Crystal/Flatware w/Storage
- Vinyl Floor in Vestibule & Galley Areas
- Quilted Passenger Seating Inserts
- Lavatory Door Mirror
- Seat Belt Extension

Interior Colors:

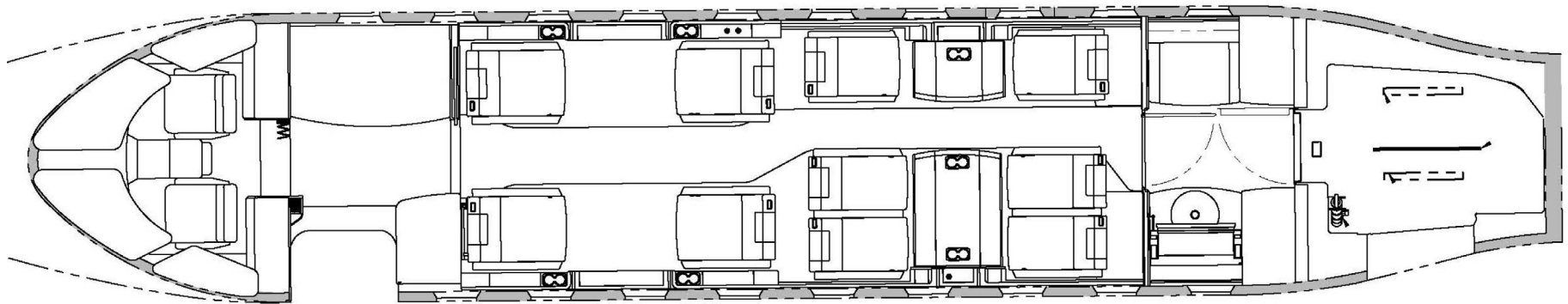
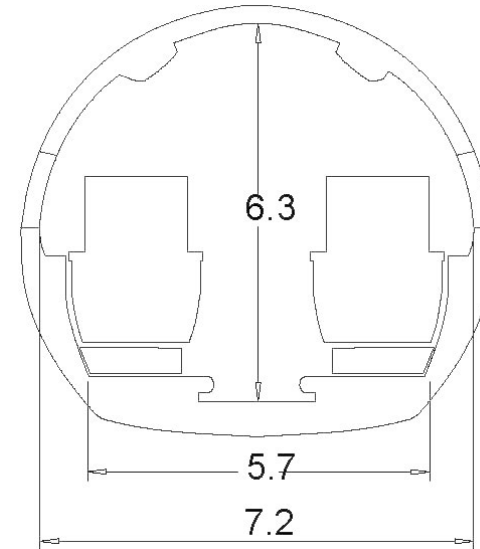
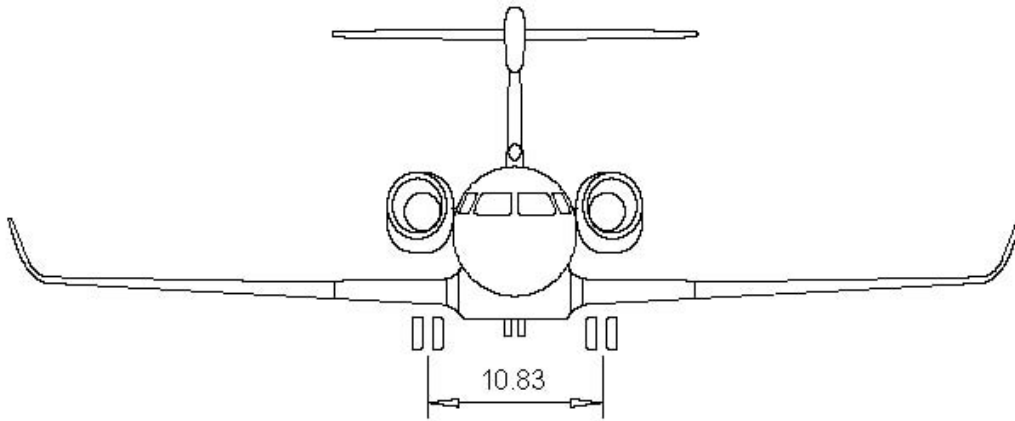
Headliner/Upper Sidewall..... Tapis Ultraleather, Ermine
Ledge Accent..... Aeristo Volaero, Starling
Lower Sidewall..... Townsend Pinnacle, Smoky Quartz
Seats..... Aeristo Belvedair, Clemetine
Plating..... HighTech Finishing Nickel
Veneer..... Composite Pangar
Carpet Scott Group Brogan II with Silk
Countertops Corian Venaro White

Exterior:

Overall White w/Dark Blue Accent Striping.

SPECIFICATIONS ARE PROVIDED FOR INFORMATIONAL PURPOSES ONLY AND DO NOT CONSTITUTE REPRESENTATIONS OR WARRANTIES. THESE SPECIFICATIONS ARE SUBJECT TO BUYER'S INDEPENDENT VERIFICATION UPON INSPECTION.
THE AIRCRAFT IS SUBJECT TO PRIOR SALE, LEASE AND/OR REMOVAL FROM THE MARKET WITHOUT PRIOR NOTICE. MARCH 5, 2025 3:25 PM

2022 Gulfstream G280 SN 2230 N319WG



SPECIFICATIONS ARE PROVIDED FOR INFORMATIONAL PURPOSES ONLY AND DO NOT CONSTITUTE REPRESENTATIONS OR WARRANTIES. THESE SPECIFICATIONS ARE SUBJECT TO BUYER'S INDEPENDENT VERIFICATION UPON INSPECTION.
THE AIRCRAFT IS SUBJECT TO PRIOR SALE, LEASE AND/OR REMOVAL FROM THE MARKET WITHOUT PRIOR NOTICE. MARCH 5, 2025 3:25 PM

2022 Gulfstream G280 SN 2230 N319WG



SPECIFICATIONS ARE PROVIDED FOR INFORMATIONAL PURPOSES ONLY AND DO NOT CONSTITUTE REPRESENTATIONS OR WARRANTIES. THESE SPECIFICATIONS ARE SUBJECT TO BUYER'S INDEPENDENT VERIFICATION UPON INSPECTION.
THE AIRCRAFT IS SUBJECT TO PRIOR SALE, LEASE AND/OR REMOVAL FROM THE MARKET WITHOUT PRIOR NOTICE. MARCH 5, 2025 3:25 PM

AVPROJETS.COM
info@avprojets.com

900 Bestgate Road Suite 412 Annapolis, MD 21401
+1.410.573.1515

Chris Ellis
cellis@avprojets.com

2022 Gulfstream G280 SN 2230 N319WG



SPECIFICATIONS ARE PROVIDED FOR INFORMATIONAL PURPOSES ONLY AND DO NOT CONSTITUTE REPRESENTATIONS OR WARRANTIES. THESE SPECIFICATIONS ARE SUBJECT TO BUYER'S INDEPENDENT VERIFICATION UPON INSPECTION.
THE AIRCRAFT IS SUBJECT TO PRIOR SALE, LEASE AND/OR REMOVAL FROM THE MARKET WITHOUT PRIOR NOTICE. MARCH 5, 2025 3:25 PM

AVPROJETS.COM
info@avprojets.com

900 Bestgate Road Suite 412 Annapolis, MD 21401
+1.410.573.1515

Chris Ellis
cellis@avprojets.com

2022 Gulfstream G280 SN 2230 N319WG



SPECIFICATIONS ARE PROVIDED FOR INFORMATIONAL PURPOSES ONLY AND DO NOT CONSTITUTE REPRESENTATIONS OR WARRANTIES. THESE SPECIFICATIONS ARE SUBJECT TO BUYER'S INDEPENDENT VERIFICATION UPON INSPECTION.
THE AIRCRAFT IS SUBJECT TO PRIOR SALE, LEASE AND/OR REMOVAL FROM THE MARKET WITHOUT PRIOR NOTICE. MARCH 5, 2025 3:25 PM

AVPROJETS.COM
info@avprojets.com

900 Bestgate Road Suite 412 Annapolis, MD 21401
+1.410.573.1515

Chris Ellis
cellis@avprojets.com

2022 Gulfstream G280 SN 2230 N319WG



SPECIFICATIONS ARE PROVIDED FOR INFORMATIONAL PURPOSES ONLY AND DO NOT CONSTITUTE REPRESENTATIONS OR WARRANTIES. THESE SPECIFICATIONS ARE SUBJECT TO BUYER'S INDEPENDENT VERIFICATION UPON INSPECTION.
THE AIRCRAFT IS SUBJECT TO PRIOR SALE, LEASE AND/OR REMOVAL FROM THE MARKET WITHOUT PRIOR NOTICE. MARCH 5, 2025 3:25 PM

AVPROJETS.COM
info@avprojets.com

900 Bestgate Road Suite 412 Annapolis, MD 21401
+1.410.573.1515

Chris Ellis
cellis@avprojets.com



AVPRO INC.

CELEBRATING OVER **30** YEARS OF EXCELLENCE

We perform for our clients, averaging two transactions a week.

We match aircraft to your specifications in a professional and timely manner, allowing you to concentrate on your business, leaving the important details of marketing, market research, negotiating and contracting to us.

Avpro offers aircraft financing advisory services. We have the expertise to navigate the appropriate structure, costs and terms to help you meet your objectives. We are ready to provide advice, analysis and sourcing of the lender best suited to meet your requirements.

SERVING CUSTOMERS
AROUND THE GLOBE

Talk to Us

info@avprojets.com

+1.410.573.1515

Connect with Us

