

1991 Dassault ^{SN} 104

Falcon 900B



AVPRO INC.
www.avprojets.com

EXECUTIVE SALES DIRECTOR

Herbie Kane
hkan@avprojets.com
+1.410.573.1515

1991 Falcon 900B SN 104 N618CX

Aircraft Listing Details:

Total Hours: 11,805
Total Landings: 5,670

Engines: Honeywell TFE-731-5BR-1C

	#1	#2	#3
Total Hours:	11,339	11,475	11,538
Engine Cycles:	5,277	5,336	5,369
Serial Numbers:	P97354C	P97360C	P97358C

APU: Garrett GTCP 36-150F

Total Hours: 6,062
Serial Number: P-213

Aircraft Highlights:

- 2024 Paint & 2022 Interior Refurbishment
- C Check, Engine MPI's & Insight Cockpit c/w Dec. '22
- Engines & APU on Engine Assurance Program (EAP)
- GoGo Aircell ATG-5000 Wi-Fi
- ADS-B
- WAAS/LPV
- FANS / CPDLC (Provisions)

Avionics:

- Universal Insight EFI-1040P Four (4) Screen EFIS
- Mid Continent MD-302 SAM Standby Instrument Module
- Dual Collins VHF-22 Comms w/8.33 Spacing
- Dual Collins VIR-32 NAVs
- Dual Collins ADF-462 ADFs
- Dual Collins DME-42 DMEs
- Dual MST-67A Mode S Transponders w/Flight ID
- Dual FMS NZ-2010 Flight Management System v/6.1 Software
- Universal Dual UNS-1FW FMS
- Dual Honeywell GPS
- Triple Honeywell Laseref IV Inertial Nav
- Honeywell TCAS II w/Change 7.1
- Honeywell Mark V EGPWS w/RAAS
- Honeywell Primus 880 Radar w/Dual Controls
- Honeywell AA-300 Radar Altimeter
- Dual King-950 HF's w/Selcal
- Cockpit Voice Recorder
- Artex 406 ELT

SPECIFICATIONS ARE PROVIDED FOR INFORMATIONAL PURPOSES ONLY AND DO NOT CONSTITUTE REPRESENTATIONS OR WARRANTIES. THESE SPECIFICATIONS ARE SUBJECT TO BUYER'S INDEPENDENT VERIFICATION UPON INSPECTION.
THE AIRCRAFT IS SUBJECT TO PRIOR SALE, LEASE AND/OR REMOVAL FROM THE MARKET WITHOUT PRIOR NOTICE. OCTOBER 30, 2024 2:56 PM

1991 Falcon 900B SN 104 N618CX

Connectivity:

- GoGo Aircell ATG-5000 Wi-Fi
 - Aircell Axxess II Flight Phone
-

Entertainment:

- Honeywell Cabin Management System
 - Airshow 400
 - Forward & Aft Bulkhead Monitors
 - DVD/CD Player
 - Apple Lightning Ports
-

Maintenance Programs:

- Engines & APU on Engine Assurance Program (EAP)
 - CAMP
-

Navigation Compliance:

- ADS-B
 - WAAS/LPV
 - Honeywell TCAS II w/Change 7.1
-

Inspection Status:

<i>Inspection</i>	<i>Compliance</i>	<i>Next Due</i>
12M / 800 Hrs.	Dec. '23 @ 11,718 Hrs.	Dec. '24 @ 12,518 Hrs.
24M / 1600 Hrs.	Dec. '22 @ 11,442 Hrs.	Dec. '24 @ 13,042 Hrs.
36M / 2400 Hrs.	Dec. '22 @ 11,442 Hrs.	Jul. '25 @ 13,842 Hrs.
12 Month	Dec. '23 @ 11,716 Hrs.	December 2024
24 Month	Dec. '22 @ 11,442 Hrs.	December 2024
36 Month	Dec. '22 @ 11,442 Hrs.	July 2025
1B (1600 Hrs.)	Dec. '22 @ 11,422 Hrs.	13,042 Hrs.
2B (3200 Hrs.)	Dec. '22 @ 11,422 Hrs.	14,642 Hrs.
3B (4800 Hrs.)	Oct. '15 @ 8,396 Hrs.	13,171 Hrs.
1C (72M)	Dec. '22 @ 11,422 Hrs	December 2028
2C (144M)	June '16 @ 8,488 Hrs.	June 2028

Interior: Refurbished December 2022

Fourteen (14) passenger forward galley interior configuration. The cabin offers a four (4) place club followed by a mid-cabin two (2) place divan opposite a four (4) place conference group. The aft cabin features a three (3) place divan opposite a single (1) forward facing chair.

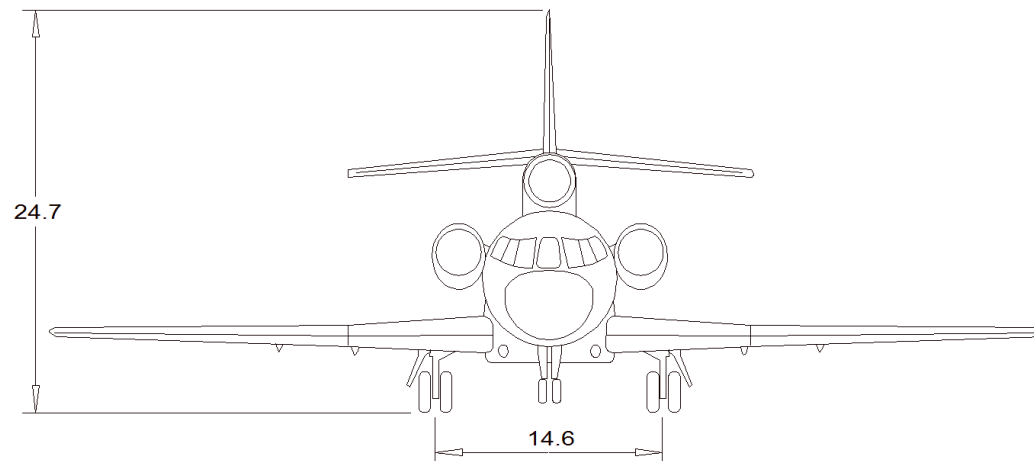
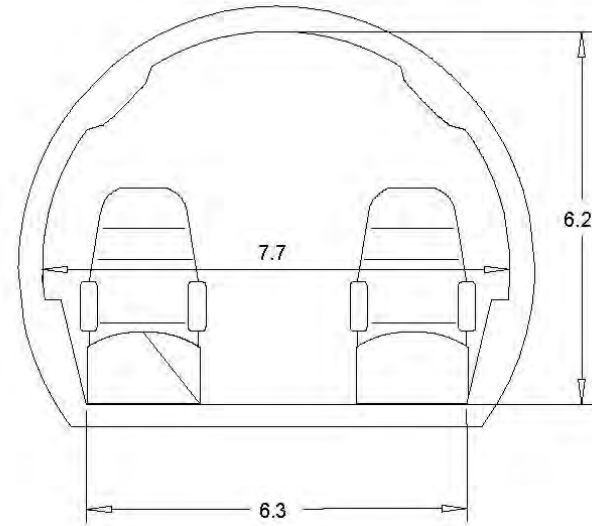
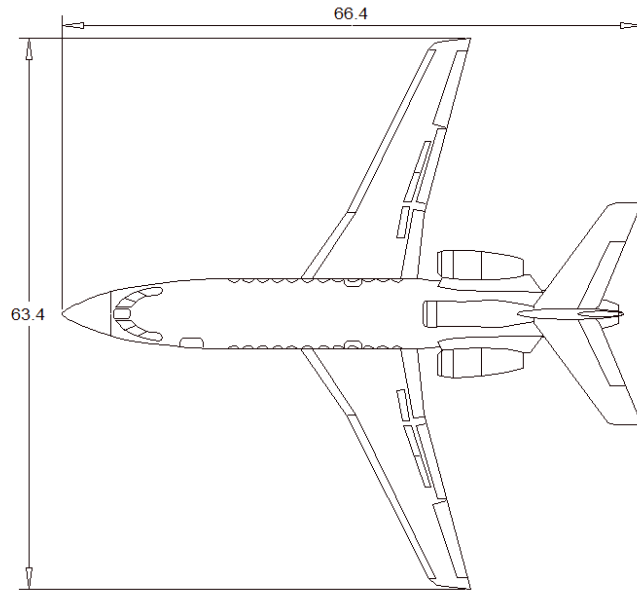
- Jump Seat
 - Oven
 - Microwave
-

Exterior: New Paint February 2024

Custom White & Gray Paint Scheme w/Orange Accent Striping.

SPECIFICATIONS ARE PROVIDED FOR INFORMATIONAL PURPOSES ONLY AND DO NOT CONSTITUTE REPRESENTATIONS OR WARRANTIES. THESE SPECIFICATIONS ARE SUBJECT TO BUYER'S INDEPENDENT VERIFICATION UPON INSPECTION.
THE AIRCRAFT IS SUBJECT TO PRIOR SALE, LEASE AND/OR REMOVAL FROM THE MARKET WITHOUT PRIOR NOTICE. OCTOBER 30, 2024 2:21 PM

1991 Falcon 900B SN 104 N618CX



SPECIFICATIONS ARE PROVIDED FOR INFORMATIONAL PURPOSES ONLY AND DO NOT CONSTITUTE REPRESENTATIONS OR WARRANTIES. THESE SPECIFICATIONS ARE SUBJECT TO BUYER'S INDEPENDENT VERIFICATION UPON INSPECTION.
THE AIRCRAFT IS SUBJECT TO PRIOR SALE, LEASE AND/OR REMOVAL FROM THE MARKET WITHOUT PRIOR NOTICE. OCTOBER 30, 2024 2:21 PM

1991 Falcon 900B SN 104 N618CX



SPECIFICATIONS ARE PROVIDED FOR INFORMATIONAL PURPOSES ONLY AND DO NOT CONSTITUTE REPRESENTATIONS OR WARRANTIES. THESE SPECIFICATIONS ARE SUBJECT TO BUYER'S INDEPENDENT VERIFICATION UPON INSPECTION.
THE AIRCRAFT IS SUBJECT TO PRIOR SALE, LEASE AND/OR REMOVAL FROM THE MARKET WITHOUT PRIOR NOTICE. OCTOBER 30, 2024 2:21 PM

AVPROJETS.COM
info@avprojets.com

900 Bestgate Road Suite 412 Annapolis, MD 21401
+1.410.573.1515

Herbie Kane
hkane@avprojets.com

1991 Falcon 900B SN 104 N618CX



SPECIFICATIONS ARE PROVIDED FOR INFORMATIONAL PURPOSES ONLY AND DO NOT CONSTITUTE REPRESENTATIONS OR WARRANTIES. THESE SPECIFICATIONS ARE SUBJECT TO BUYER'S INDEPENDENT VERIFICATION UPON INSPECTION.
THE AIRCRAFT IS SUBJECT TO PRIOR SALE, LEASE AND/OR REMOVAL FROM THE MARKET WITHOUT PRIOR NOTICE. OCTOBER 30, 2024 2:21 PM

AVPROJETS.COM
info@avprojets.com

900 Bestgate Road Suite 412 Annapolis, MD 21401
+1.410.573.1515

Herbie Kane
hkane@avprojets.com

1991 Falcon 900B SN 104 N618CX



SPECIFICATIONS ARE PROVIDED FOR INFORMATIONAL PURPOSES ONLY AND DO NOT CONSTITUTE REPRESENTATIONS OR WARRANTIES. THESE SPECIFICATIONS ARE SUBJECT TO BUYER'S INDEPENDENT VERIFICATION UPON INSPECTION.
THE AIRCRAFT IS SUBJECT TO PRIOR SALE, LEASE AND/OR REMOVAL FROM THE MARKET WITHOUT PRIOR NOTICE. OCTOBER 30, 2024 2:21 PM

AVPROJETS.COM
info@avprojets.com

900 Bestgate Road Suite 412 Annapolis, MD 21401
+1.410.573.1515

Herbie Kane
hkane@avprojets.com

1991 Falcon 900B SN 104 N618CX



SPECIFICATIONS ARE PROVIDED FOR INFORMATIONAL PURPOSES ONLY AND DO NOT CONSTITUTE REPRESENTATIONS OR WARRANTIES. THESE SPECIFICATIONS ARE SUBJECT TO BUYER'S INDEPENDENT VERIFICATION UPON INSPECTION.
THE AIRCRAFT IS SUBJECT TO PRIOR SALE, LEASE AND/OR REMOVAL FROM THE MARKET WITHOUT PRIOR NOTICE. OCTOBER 30, 2024 2:21 PM

AVPROJETS.COM
info@avprojets.com

900 Bestgate Road Suite 412 Annapolis, MD 21401
+1.410.573.1515

Herbie Kane
hkane@avprojets.com

1991 Falcon 900B SN 104 N618CX



SPECIFICATIONS ARE PROVIDED FOR INFORMATIONAL PURPOSES ONLY AND DO NOT CONSTITUTE REPRESENTATIONS OR WARRANTIES. THESE SPECIFICATIONS ARE SUBJECT TO BUYER'S INDEPENDENT VERIFICATION UPON INSPECTION.
THE AIRCRAFT IS SUBJECT TO PRIOR SALE, LEASE AND/OR REMOVAL FROM THE MARKET WITHOUT PRIOR NOTICE. OCTOBER 30, 2024 2:21 PM

AVPROJETS.COM
info@avprojets.com

900 Bestgate Road Suite 412 Annapolis, MD 21401
+1.410.573.1515

Herbie Kane
hkane@avprojets.com

1991 Falcon 900B SN 104 N618CX



SPECIFICATIONS ARE PROVIDED FOR INFORMATIONAL PURPOSES ONLY AND DO NOT CONSTITUTE REPRESENTATIONS OR WARRANTIES. THESE SPECIFICATIONS ARE SUBJECT TO BUYER'S INDEPENDENT VERIFICATION UPON INSPECTION.
THE AIRCRAFT IS SUBJECT TO PRIOR SALE, LEASE AND/OR REMOVAL FROM THE MARKET WITHOUT PRIOR NOTICE. OCTOBER 30, 2024 2:21 PM

AVPROJETS.COM
info@avprojets.com

900 Bestgate Road Suite 412 Annapolis, MD 21401
+1.410.573.1515

Herbie Kane
hkane@avprojets.com

1991 Falcon 900B SN 104 N618CX



SPECIFICATIONS ARE PROVIDED FOR INFORMATIONAL PURPOSES ONLY AND DO NOT CONSTITUTE REPRESENTATIONS OR WARRANTIES. THESE SPECIFICATIONS ARE SUBJECT TO BUYER'S INDEPENDENT VERIFICATION UPON INSPECTION.
THE AIRCRAFT IS SUBJECT TO PRIOR SALE, LEASE AND/OR REMOVAL FROM THE MARKET WITHOUT PRIOR NOTICE. OCTOBER 30, 2024 2:21 PM

AVPROJETS.COM
info@avprojets.com

900 Bestgate Road Suite 412 Annapolis, MD 21401
+1.410.573.1515

Herbie Kane
hkane@avprojets.com

1991 Falcon 900B SN 104 N618CX



SPECIFICATIONS ARE PROVIDED FOR INFORMATIONAL PURPOSES ONLY AND DO NOT CONSTITUTE REPRESENTATIONS OR WARRANTIES. THESE SPECIFICATIONS ARE SUBJECT TO BUYER'S INDEPENDENT VERIFICATION UPON INSPECTION.
THE AIRCRAFT IS SUBJECT TO PRIOR SALE, LEASE AND/OR REMOVAL FROM THE MARKET WITHOUT PRIOR NOTICE. OCTOBER 30, 2024 2:21 PM

AVPROJETS.COM
info@avprojets.com

900 Bestgate Road Suite 412 Annapolis, MD 21401
+1.410.573.1515

Herbie Kane
hkane@avprojets.com

1991 Falcon 900B SN 104 N618CX



SPECIFICATIONS ARE PROVIDED FOR INFORMATIONAL PURPOSES ONLY AND DO NOT CONSTITUTE REPRESENTATIONS OR WARRANTIES. THESE SPECIFICATIONS ARE SUBJECT TO BUYER'S INDEPENDENT VERIFICATION UPON INSPECTION.
THE AIRCRAFT IS SUBJECT TO PRIOR SALE, LEASE AND/OR REMOVAL FROM THE MARKET WITHOUT PRIOR NOTICE. OCTOBER 30, 2024 2:21 PM

AVPROJETS.COM
info@avprojets.com

900 Bestgate Road Suite 412 Annapolis, MD 21401
+1.410.573.1515

Herbie Kane
hkane@avprojets.com

1991 Falcon 900B SN 104 N618CX



SPECIFICATIONS ARE PROVIDED FOR INFORMATIONAL PURPOSES ONLY AND DO NOT CONSTITUTE REPRESENTATIONS OR WARRANTIES. THESE SPECIFICATIONS ARE SUBJECT TO BUYER'S INDEPENDENT VERIFICATION UPON INSPECTION.
THE AIRCRAFT IS SUBJECT TO PRIOR SALE, LEASE AND/OR REMOVAL FROM THE MARKET WITHOUT PRIOR NOTICE. OCTOBER 30, 2024 2:21 PM

AVPROJETS.COM
info@avprojets.com

900 Bestgate Road Suite 412 Annapolis, MD 21401
+1.410.573.1515

Herbie Kane
hkane@avprojets.com

1991 Falcon 900B SN 104 N618CX



SPECIFICATIONS ARE PROVIDED FOR INFORMATIONAL PURPOSES ONLY AND DO NOT CONSTITUTE REPRESENTATIONS OR WARRANTIES. THESE SPECIFICATIONS ARE SUBJECT TO BUYER'S INDEPENDENT VERIFICATION UPON INSPECTION.
THE AIRCRAFT IS SUBJECT TO PRIOR SALE, LEASE AND/OR REMOVAL FROM THE MARKET WITHOUT PRIOR NOTICE. OCTOBER 30, 2024 2:21 PM

AVPROJETS.COM
info@avprojets.com

900 Bestgate Road Suite 412 Annapolis, MD 21401
+1.410.573.1515

Herbie Kane
hkane@avprojets.com

1991 Falcon 900B SN 104 N618CX



SPECIFICATIONS ARE PROVIDED FOR INFORMATIONAL PURPOSES ONLY AND DO NOT CONSTITUTE REPRESENTATIONS OR WARRANTIES. THESE SPECIFICATIONS ARE SUBJECT TO BUYER'S INDEPENDENT VERIFICATION UPON INSPECTION.
THE AIRCRAFT IS SUBJECT TO PRIOR SALE, LEASE AND/OR REMOVAL FROM THE MARKET WITHOUT PRIOR NOTICE. OCTOBER 30, 2024 2:21 PM

AVPROJETS.COM
info@avprojets.com

900 Bestgate Road Suite 412 Annapolis, MD 21401
+1.410.573.1515

Herbie Kane
hkane@avprojets.com

1991 Falcon 900B SN 104 N618CX



SPECIFICATIONS ARE PROVIDED FOR INFORMATIONAL PURPOSES ONLY AND DO NOT CONSTITUTE REPRESENTATIONS OR WARRANTIES. THESE SPECIFICATIONS ARE SUBJECT TO BUYER'S INDEPENDENT VERIFICATION UPON INSPECTION.
THE AIRCRAFT IS SUBJECT TO PRIOR SALE, LEASE AND/OR REMOVAL FROM THE MARKET WITHOUT PRIOR NOTICE. OCTOBER 30, 2024 2:21 PM

AVPROJETS.COM
info@avprojets.com

900 Bestgate Road Suite 412 Annapolis, MD 21401
+1.410.573.1515

Herbie Kane
hkane@avprojets.com

1991 Falcon 900B SN 104 N618CX



SPECIFICATIONS ARE PROVIDED FOR INFORMATIONAL PURPOSES ONLY AND DO NOT CONSTITUTE REPRESENTATIONS OR WARRANTIES. THESE SPECIFICATIONS ARE SUBJECT TO BUYER'S INDEPENDENT VERIFICATION UPON INSPECTION.
THE AIRCRAFT IS SUBJECT TO PRIOR SALE, LEASE AND/OR REMOVAL FROM THE MARKET WITHOUT PRIOR NOTICE. OCTOBER 30, 2024 2:22 PM

AVPROJETS.COM
info@avprojets.com

900 Bestgate Road Suite 412 Annapolis, MD 21401
+1.410.573.1515

Herbie Kane
hkane@avprojets.com

1991 Falcon 900B SN 104 N618CX



SPECIFICATIONS ARE PROVIDED FOR INFORMATIONAL PURPOSES ONLY AND DO NOT CONSTITUTE REPRESENTATIONS OR WARRANTIES. THESE SPECIFICATIONS ARE SUBJECT TO BUYER'S INDEPENDENT VERIFICATION UPON INSPECTION.
THE AIRCRAFT IS SUBJECT TO PRIOR SALE, LEASE AND/OR REMOVAL FROM THE MARKET WITHOUT PRIOR NOTICE. OCTOBER 30, 2024 2:22 PM

AVPROJETS.COM
info@avprojets.com

900 Bestgate Road Suite 412 Annapolis, MD 21401
+1.410.573.1515

Herbie Kane
hkane@avprojets.com

1991 Falcon 900B SN 104 N618CX



SPECIFICATIONS ARE PROVIDED FOR INFORMATIONAL PURPOSES ONLY AND DO NOT CONSTITUTE REPRESENTATIONS OR WARRANTIES. THESE SPECIFICATIONS ARE SUBJECT TO BUYER'S INDEPENDENT VERIFICATION UPON INSPECTION.
THE AIRCRAFT IS SUBJECT TO PRIOR SALE, LEASE AND/OR REMOVAL FROM THE MARKET WITHOUT PRIOR NOTICE. OCTOBER 30, 2024 2:22 PM

AVPROJETS.COM
info@avprojets.com

900 Bestgate Road Suite 412 Annapolis, MD 21401
+1.410.573.1515

Herbie Kane
hkane@avprojets.com

1991 Falcon 900B SN 104 N618CX



SPECIFICATIONS ARE PROVIDED FOR INFORMATIONAL PURPOSES ONLY AND DO NOT CONSTITUTE REPRESENTATIONS OR WARRANTIES. THESE SPECIFICATIONS ARE SUBJECT TO BUYER'S INDEPENDENT VERIFICATION UPON INSPECTION.
THE AIRCRAFT IS SUBJECT TO PRIOR SALE, LEASE AND/OR REMOVAL FROM THE MARKET WITHOUT PRIOR NOTICE. OCTOBER 30, 2024 2:22 PM

AVPROJETS.COM
info@avprojets.com

900 Bestgate Road Suite 412 Annapolis, MD 21401
+1.410.573.1515

Herbie Kane
hkane@avprojets.com



AVPRO INC.

CELEBRATING OVER **30** YEARS OF EXCELLENCE

We perform for our clients, averaging two transactions a week.

We match aircraft to your specifications in a professional and timely manner, allowing you to concentrate on your business, leaving the important details of marketing, market research, negotiating and contracting to us.

Avpro offers aircraft financing advisory services. We have the expertise to navigate the appropriate structure, costs and terms to help you meet your objectives. We are ready to provide advice, analysis and sourcing of the lender best suited to meet your requirements.

SERVING CUSTOMERS
AROUND THE GLOBE

Talk to Us

info@avprojets.com

+1.410.573.1515

Connect with Us

