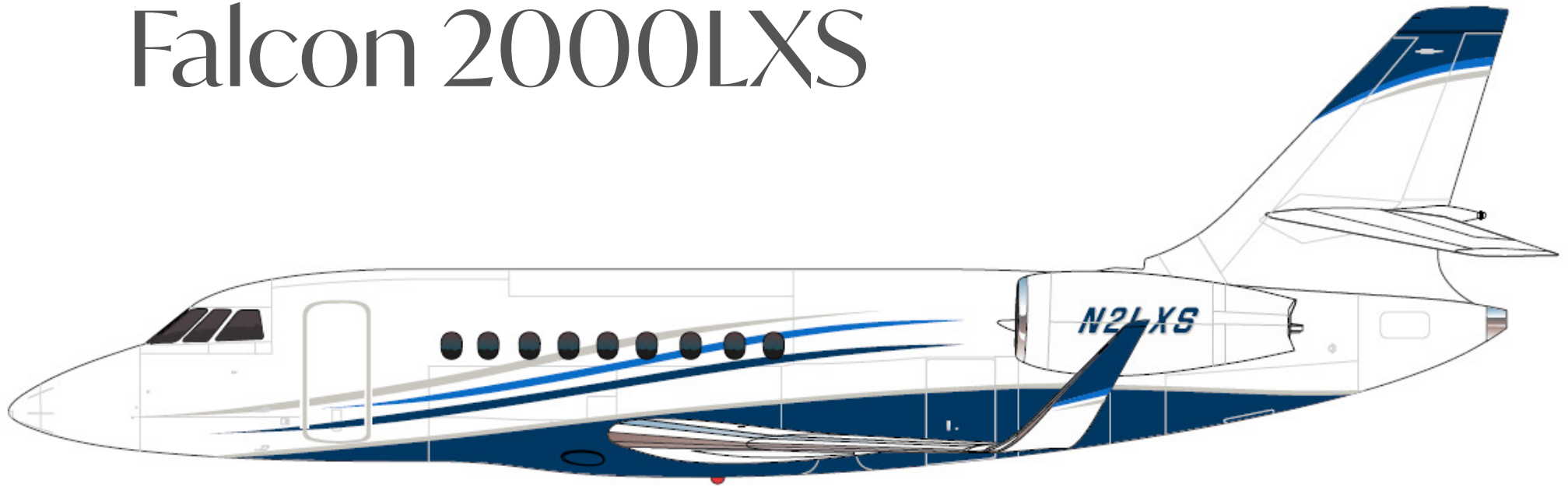


2021 Dassault ^{SN} 377

Falcon 2000LXS



AVPRO INC.
www.avprojets.com

EXECUTIVE SALES DIRECTOR

Mike Caruso
mcaruso@avprojets.com
+1.410.573.1515

2021 Falcon 2000LXS SN 377

Aircraft Listing Details:

Total Hours: 33
Total Landings: 10

Engines:	#1	#2
Total Hours:	33	33
Engine Cycles:	10	10

Aircraft Highlights:

- Brand New Aircraft with Delivery Time Only
- Available Immediately for Year-End Bonus Depreciation
- Located at the Factory – Dassault Little Rock
- Full Warranties Transferrable
- Beautifully Completed Paint & Interior
- Preferred 10 Passenger Interior Configuration
- Loaded with Optional Equipment
 - FalconEye Combined Vision System (HUD+EVS+SVS)
 - Aircell GoGo AVANCE L5 Satcom / Wi-Fi / Entertainment System
 - CPDLC with FANS-1/A+ & ATN-B1
 - SBAS / LPV
 - Auto Descent Mode
 - Dual Electronic Jeppesen Charts
 - Honeywell SmartRunway RAAS
 - 88 Parameter FDR
 - 3rd FMS & IRS
- Pratt & Whitney ESP Gold Engine Program
- Honeywell MSP Gold APU Program
- Eligible for Enrollment on Dassault FalconCare

Select Edition Core Package & Upgrades:

- FalconEye Head-Up Display (HUD) + Head-Up Synthetic Vision (SVS)
- FalconEye Enhanced Vision System (EVS) + Combined Vision System (CVS)
- Honeywell EASy Communications Management Function (CMF) for FalconConnect Services
- AFIS/SATAFIS Flight Deck Data Link Capability
- Honeywell Third TR-866B VDR (VHF Mode 2 Data Radio) VHF Voice & Flight Deck Data Link Communications System
- Honeywell Third AV-900 Audio System
- Honeywell Third Flight Management System
- Honeywell Third Micro Inertial Reference System
- CVR - RIPS Requirement (Recorder Independent Power Supply)
- Honeywell DFDR Flight Data Recorder (Upgrade to 88 Parameters)
- Pratt & Whitney Data Transfer Unit (DTU) for Automatic Wireless Engine Parameter Download
- Honeywell LSS-860 Lightning Sensor System
- Automatic Descent Mode
- CTS Quick Access Recorder (QAR)

SPECIFICATIONS ARE PROVIDED FOR INFORMATIONAL PURPOSES ONLY AND DO NOT CONSTITUTE REPRESENTATIONS OR WARRANTIES. THESE SPECIFICATIONS ARE SUBJECT TO BUYER'S INDEPENDENT VERIFICATION UPON INSPECTION.
THE AIRCRAFT IS SUBJECT TO PRIOR SALE, LEASE AND/OR REMOVAL FROM THE MARKET WITHOUT PRIOR NOTICE. NOVEMBER 9, 2021 3:01 PM

2021 Falcon 2000LXS SN 377

Connectivity:

- Aircell Gogo AVANCE L5 Satcom/Wi-Fi/Entertainment System
 - Two (2) Smart Phones w/Dedicated App
-

Falcon Programs:

- FalconBroadcast (12 Month Subscription)
 - FalconConnect Honeywell EASy Uplink Weather Capability
(1st Year subscription to Honeywell Weather Information Network (WINN), Worldwide Coverage)
 - Eligible for Enrollment on Dassault FalconCare
-

Next Gen Upgrades:

- FANS-1/A+ Datalink (CPDLC & ADS-C)
- ATN-B1 Datalink (Protected Mode CPDLC)
- SBAS / LPV
- ADS-B Out
- Auto Descent Mode
- Dual Electronic Jeppesen Charts
- Honeywell SmartRunway RAAS

Cabin Entertainment / Management Systems:

- Honeywell EASy Video Interface
- One (1) iPad LED Backlit Touch Screen Galley/ Entertainment Control
- 3D Interactive Map Database
- Media Server Unit (MSU) w/Dedicated USB 3.0 Port
- USB Charging Port
- Audio Jack Panel
- Hard Button Cabin controls with Plated Bezels
- HDMI Port
- iPad (Remote Control) U.S. Plug by Default
- Two (2) Plug-In iPad Arms + iPad Holder + iPad
- Eight (8) iPad Arm Receptacles
- Rockwell Collins 22" Widescreen HD LED Backlit Forward Bulkhead Monitor
- Rockwell Collins Touch Panel Control
- One (1) Amplifier
- Four (4) Speakers
- One (1) Speaker in Lavatory
- Noise Canceling Stereo Headset
- Falcon Cabin Management System Kit (USB Charging Cables)
- MSU Welcome Kit Hard Drive

SPECIFICATIONS ARE PROVIDED FOR INFORMATIONAL PURPOSES ONLY AND DO NOT CONSTITUTE REPRESENTATIONS OR WARRANTIES. THESE SPECIFICATIONS ARE SUBJECT TO BUYER'S INDEPENDENT VERIFICATION UPON INSPECTION.
THE AIRCRAFT IS SUBJECT TO PRIOR SALE, LEASE AND/OR REMOVAL FROM THE MARKET WITHOUT PRIOR NOTICE. NOVEMBER 9, 2021 3:01 PM

2021 Falcon 2000LXS SN 377

Features/Options:

- Goodrich Ice Detection System
- Enlarged Oxygen Bottle (115 Cu. Ft.)
- Three (3) EROS One-Piece Full-Face Masks
- Smoke Hood Crew-Type (Additional) (1 Each)
- Winslow Life Rafts w/Storage Provisions (2 Each 9-Man) with 406 ELT & Emergency Transceiver
- Supplemental Life Raft Kit
- 115 VAC 60 Hz 2000 VA Inverter w/Seven (7) Outlets
- Main Batteries Charging from GPU
- Telescoping Tow Bar Installation
- Second Main Entry Door (MED) Handrail

Interior:

Ten (10) Passenger Configuration, Forward Double Club, Dining Group, Aft Club, Aft Lavatory

- 3rd Flight Deck Seat 16g, Storage Drawer, Fold Down Hanger Bar
- LH Closet w/Horizontal Storage for Aircraft Manuals
- Forward Bulkhead Cutaway for Pilot Seat Recline
- Forward LH 30" Closet/Entertainment Cabinet

Galley:

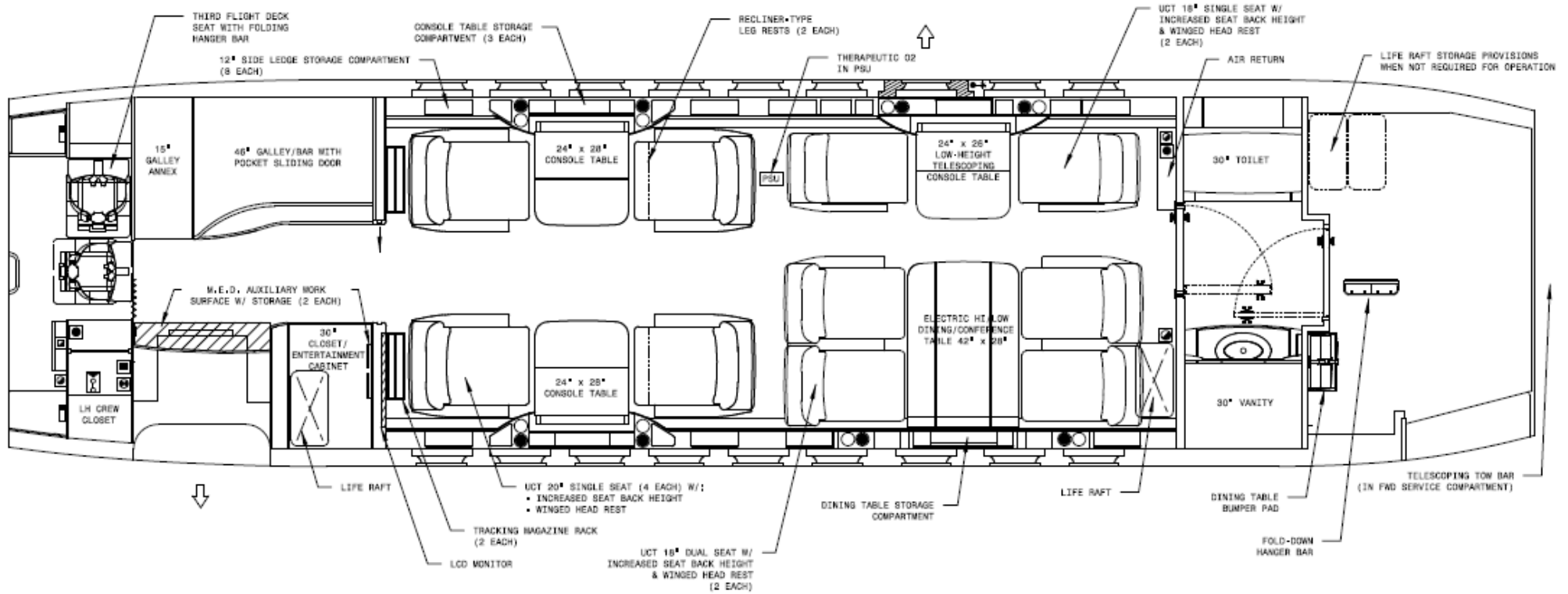
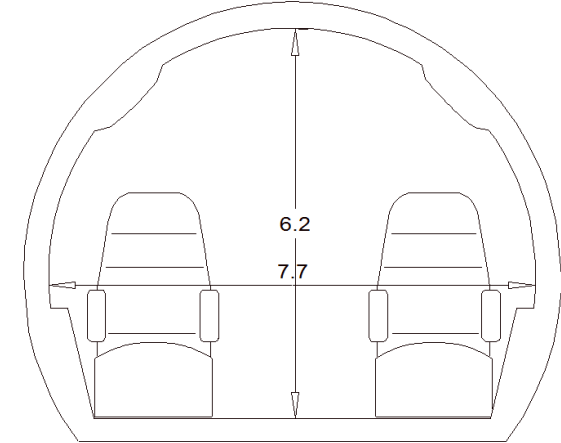
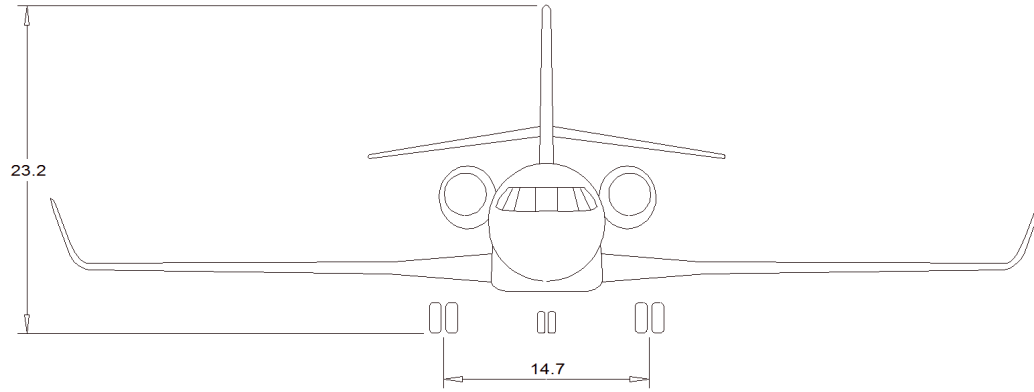
- Forward 46" Galley
- Forward 15" Galley Annex
- Galley Pocket Sliding Door
- MED Aux. Work Surface and Storage
- High-Temperature Oven w/Digital Controller
- Microwave Oven
- Two (2) Carafes
- Coffee Brewer
- Ice Drawer
- Cold Storage Drawer
- Pop-Out Work Surface
- Storage Drawers

Exterior:

Matterhorn White Upper Fuselage, Royal Blue Lower Fuselage with Gamma Gray, Sky Blue & Royal Blue Accent Striping.

SPECIFICATIONS ARE PROVIDED FOR INFORMATIONAL PURPOSES ONLY AND DO NOT CONSTITUTE REPRESENTATIONS OR WARRANTIES. THESE SPECIFICATIONS ARE SUBJECT TO BUYER'S INDEPENDENT VERIFICATION UPON INSPECTION.
THE AIRCRAFT IS SUBJECT TO PRIOR SALE, LEASE AND/OR REMOVAL FROM THE MARKET WITHOUT PRIOR NOTICE. NOVEMBER 9, 2021 3:01 PM

2021 Falcon 2000LXS SN 377



SPECIFICATIONS ARE PROVIDED FOR INFORMATIONAL PURPOSES ONLY AND DO NOT CONSTITUTE REPRESENTATIONS OR WARRANTIES. THESE SPECIFICATIONS ARE SUBJECT TO BUYER'S INDEPENDENT VERIFICATION UPON INSPECTION. THE AIRCRAFT IS SUBJECT TO PRIOR SALE, LEASE AND/OR REMOVAL FROM THE MARKET WITHOUT PRIOR NOTICE. NOVEMBER 8, 2021 10:28 AM

2021 Falcon 2000LXS SN 377



SPECIFICATIONS ARE PROVIDED FOR INFORMATIONAL PURPOSES ONLY AND DO NOT CONSTITUTE REPRESENTATIONS OR WARRANTIES. THESE SPECIFICATIONS ARE SUBJECT TO BUYER'S INDEPENDENT VERIFICATION UPON INSPECTION.
THE AIRCRAFT IS SUBJECT TO PRIOR SALE, LEASE AND/OR REMOVAL FROM THE MARKET WITHOUT PRIOR NOTICE. NOVEMBER 9, 2021 3:01 PM

AVPROJETS.COM
info@avprojets.com

900 Bestgate Road Suite 412 Annapolis, MD 21401
+1.410.573.1515

Mike Caruso
mcaruso@avprojets.com

2021 Falcon 2000LXS SN 377



SPECIFICATIONS ARE PROVIDED FOR INFORMATIONAL PURPOSES ONLY AND DO NOT CONSTITUTE REPRESENTATIONS OR WARRANTIES. THESE SPECIFICATIONS ARE SUBJECT TO BUYER'S INDEPENDENT VERIFICATION UPON INSPECTION.
THE AIRCRAFT IS SUBJECT TO PRIOR SALE, LEASE AND/OR REMOVAL FROM THE MARKET WITHOUT PRIOR NOTICE. NOVEMBER 9, 2021 3:01 PM

AVPROJETS.COM
info@avprojets.com

900 Bestgate Road Suite 412 Annapolis, MD 21401
+1.410.573.1515

Mike Caruso
mcaruso@avprojets.com

2021 Falcon 2000LXS SN 377



SPECIFICATIONS ARE PROVIDED FOR INFORMATIONAL PURPOSES ONLY AND DO NOT CONSTITUTE REPRESENTATIONS OR WARRANTIES. THESE SPECIFICATIONS ARE SUBJECT TO BUYER'S INDEPENDENT VERIFICATION UPON INSPECTION.
THE AIRCRAFT IS SUBJECT TO PRIOR SALE, LEASE AND/OR REMOVAL FROM THE MARKET WITHOUT PRIOR NOTICE. NOVEMBER 9, 2021 3:01 PM

AVPROJETS.COM
info@avprojets.com

900 Bestgate Road Suite 412 Annapolis, MD 21401
+1.410.573.1515

Mike Caruso
mcaruso@avprojets.com

2021 Falcon 2000LXS SN 377



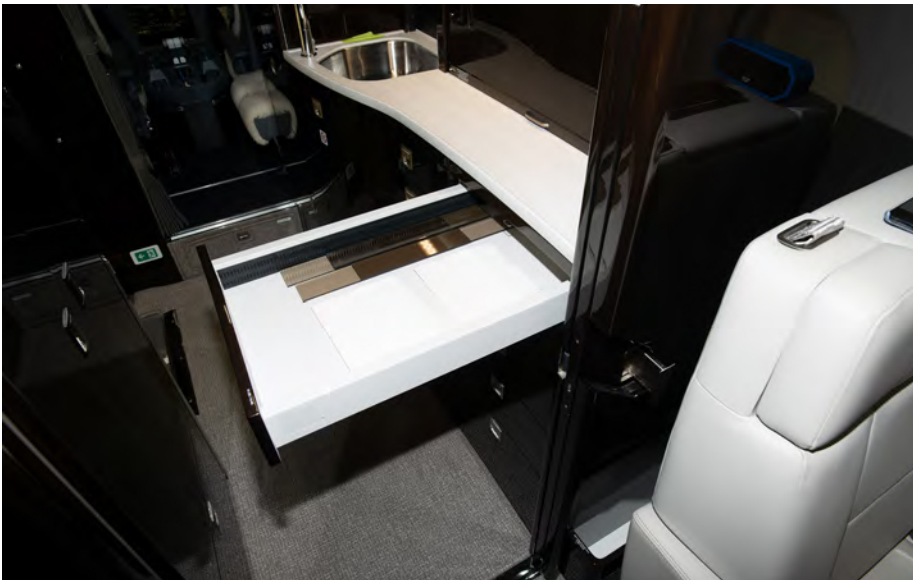
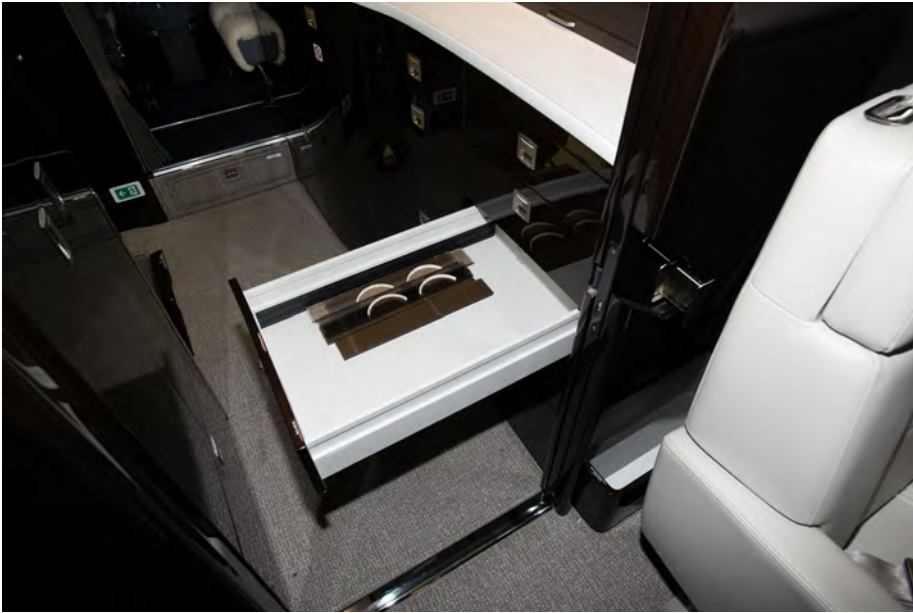
SPECIFICATIONS ARE PROVIDED FOR INFORMATIONAL PURPOSES ONLY AND DO NOT CONSTITUTE REPRESENTATIONS OR WARRANTIES. THESE SPECIFICATIONS ARE SUBJECT TO BUYER'S INDEPENDENT VERIFICATION UPON INSPECTION.
THE AIRCRAFT IS SUBJECT TO PRIOR SALE, LEASE AND/OR REMOVAL FROM THE MARKET WITHOUT PRIOR NOTICE. NOVEMBER 9, 2021 3:01 PM

AVPROJETS.COM
info@avprojets.com

900 Bestgate Road Suite 412 Annapolis, MD 21401
+1.410.573.1515

Mike Caruso
mcaruso@avprojets.com

2021 Falcon 2000LXS SN 377



SPECIFICATIONS ARE PROVIDED FOR INFORMATIONAL PURPOSES ONLY AND DO NOT CONSTITUTE REPRESENTATIONS OR WARRANTIES. THESE SPECIFICATIONS ARE SUBJECT TO BUYER'S INDEPENDENT VERIFICATION UPON INSPECTION.
THE AIRCRAFT IS SUBJECT TO PRIOR SALE, LEASE AND/OR REMOVAL FROM THE MARKET WITHOUT PRIOR NOTICE. NOVEMBER 9, 2021 3:01 PM

AVPROJETS.COM
info@avprojets.com

900 Bestgate Road Suite 412 Annapolis, MD 21401
+1.410.573.1515

Mike Caruso
mcaruso@avprojets.com

2021 Falcon 2000LXS SN 377



SPECIFICATIONS ARE PROVIDED FOR INFORMATIONAL PURPOSES ONLY AND DO NOT CONSTITUTE REPRESENTATIONS OR WARRANTIES. THESE SPECIFICATIONS ARE SUBJECT TO BUYER'S INDEPENDENT VERIFICATION UPON INSPECTION.
THE AIRCRAFT IS SUBJECT TO PRIOR SALE, LEASE AND/OR REMOVAL FROM THE MARKET WITHOUT PRIOR NOTICE. NOVEMBER 9, 2021 3:01 PM

AVPROJETS.COM
info@avprojets.com

900 Bestgate Road Suite 412 Annapolis, MD 21401
+1.410.573.1515

Mike Caruso
mcaruso@avprojets.com

2021 Falcon 2000LXS SN 377



SPECIFICATIONS ARE PROVIDED FOR INFORMATIONAL PURPOSES ONLY AND DO NOT CONSTITUTE REPRESENTATIONS OR WARRANTIES. THESE SPECIFICATIONS ARE SUBJECT TO BUYER'S INDEPENDENT VERIFICATION UPON INSPECTION.
THE AIRCRAFT IS SUBJECT TO PRIOR SALE, LEASE AND/OR REMOVAL FROM THE MARKET WITHOUT PRIOR NOTICE. NOVEMBER 9, 2021 3:01 PM

AVPROJETS.COM
info@avprojets.com

900 Bestgate Road Suite 412 Annapolis, MD 21401
+1.410.573.1515

Mike Caruso
mcaruso@avprojets.com

2021 Falcon 2000LXS SN 377



SPECIFICATIONS ARE PROVIDED FOR INFORMATIONAL PURPOSES ONLY AND DO NOT CONSTITUTE REPRESENTATIONS OR WARRANTIES. THESE SPECIFICATIONS ARE SUBJECT TO BUYER'S INDEPENDENT VERIFICATION UPON INSPECTION.
THE AIRCRAFT IS SUBJECT TO PRIOR SALE, LEASE AND/OR REMOVAL FROM THE MARKET WITHOUT PRIOR NOTICE. NOVEMBER 9, 2021 3:01 PM

AVPROJETS.COM
info@avprojets.com

900 Bestgate Road Suite 412 Annapolis, MD 21401
+1.410.573.1515

Mike Caruso
mcaruso@avprojets.com

2021 Falcon 2000LXS SN 377



SPECIFICATIONS ARE PROVIDED FOR INFORMATIONAL PURPOSES ONLY AND DO NOT CONSTITUTE REPRESENTATIONS OR WARRANTIES. THESE SPECIFICATIONS ARE SUBJECT TO BUYER'S INDEPENDENT VERIFICATION UPON INSPECTION.
THE AIRCRAFT IS SUBJECT TO PRIOR SALE, LEASE AND/OR REMOVAL FROM THE MARKET WITHOUT PRIOR NOTICE. NOVEMBER 9, 2021 3:01 PM

AVPROJETS.COM
info@avprojets.com

900 Bestgate Road Suite 412 Annapolis, MD 21401
+1.410.573.1515

Mike Caruso
mcaruso@avprojets.com

2021 Falcon 2000LXS SN 377



SPECIFICATIONS ARE PROVIDED FOR INFORMATIONAL PURPOSES ONLY AND DO NOT CONSTITUTE REPRESENTATIONS OR WARRANTIES. THESE SPECIFICATIONS ARE SUBJECT TO BUYER'S INDEPENDENT VERIFICATION UPON INSPECTION.
THE AIRCRAFT IS SUBJECT TO PRIOR SALE, LEASE AND/OR REMOVAL FROM THE MARKET WITHOUT PRIOR NOTICE. NOVEMBER 9, 2021 3:01 PM

AVPROJETS.COM
info@avprojets.com

900 Bestgate Road Suite 412 Annapolis, MD 21401
+1.410.573.1515

Mike Caruso
mcaruso@avprojets.com

2021 Falcon 2000LXS SN 377



SPECIFICATIONS ARE PROVIDED FOR INFORMATIONAL PURPOSES ONLY AND DO NOT CONSTITUTE REPRESENTATIONS OR WARRANTIES. THESE SPECIFICATIONS ARE SUBJECT TO BUYER'S INDEPENDENT VERIFICATION UPON INSPECTION.
THE AIRCRAFT IS SUBJECT TO PRIOR SALE, LEASE AND/OR REMOVAL FROM THE MARKET WITHOUT PRIOR NOTICE. NOVEMBER 9, 2021 3:01 PM

AVPROJETS.COM
info@avprojets.com

900 Bestgate Road Suite 412 Annapolis, MD 21401
+1.410.573.1515

Mike Caruso
mcaruso@avprojets.com

2021 Falcon 2000LXS SN 377



SPECIFICATIONS ARE PROVIDED FOR INFORMATIONAL PURPOSES ONLY AND DO NOT CONSTITUTE REPRESENTATIONS OR WARRANTIES. THESE SPECIFICATIONS ARE SUBJECT TO BUYER'S INDEPENDENT VERIFICATION UPON INSPECTION.
THE AIRCRAFT IS SUBJECT TO PRIOR SALE, LEASE AND/OR REMOVAL FROM THE MARKET WITHOUT PRIOR NOTICE. NOVEMBER 9, 2021 3:01 PM

AVPROJETS.COM
info@avprojets.com

900 Bestgate Road Suite 412 Annapolis, MD 21401
+1.410.573.1515

Mike Caruso
mcaruso@avprojets.com



AVPRO INC.

▪ CELEBRATING **30** YEARS OF EXCELLENCE ▪

We perform for our clients, averaging two transactions a week.

We match aircraft to your specifications in a professional and timely manner, allowing you to concentrate on your business, leaving the important details of marketing, market research, negotiating and contracting to us.

Avpro offers aircraft financing advisory services. We have the expertise to navigate the appropriate structure, costs and terms to help you meet your objectives. We are ready to provide advice, analysis and sourcing of the lender best suited to meet your requirements.

SERVING CUSTOMERS
AROUND THE GLOBE

Talk to Us

info@avprojets.com

+1.410.573.1515

Connect with Us LINKEDIN FACEBOOK TWITTER INSTAGRAM



AVPROJETS.COM
info@avprojets.com

900 Bestgate Road Suite 412 Annapolis, MD 21401
+1.410.573.1515

Mike Caruso
mcaruso@avprojets.com