

2003 Bombardier ^{SN} 9133

Express



VIRTUAL TOUR



VIDEO

AVPRO INC.
www.avprojets.com

MANAGING PARTNER

Chris Ellis
cellis@avprojets.com
+1.410.573.1515

2003 Global Express SN 9133 VH-CCV

Aircraft Listing Details:

Total Hours: 6782
Total Landings: 2563

Engines: Rolls Royce BR710A1-10

	#1	#2
Total Hours:	6782	6782
Engine Cycles:	2563	2563
Serial Numbers:	12379	12380

APU: Allied Signal RE220

Total Hours: 8114
Serial Number: P-267

Aircraft Highlights:

- Maintained by Owners CASA CAR 30 Maintenance Department
- Batch 3.4 Upgrade (SB-700-31-039)
- Rockwell Collins Venue Cabin Management System
- MNPS/RNP-10/RNP-5/RVSM
- ADS-B Out
- Engines on Rolls Royce Corporate Care
- APU on Honeywell MSP
- New Paint by Jet Aviation, St. Louis - February 2015
- STC'd Interior by Jet Aviation, St. Louis - March 2015
- All Major Maintenance Performed by Jet Aviation, St. Louis

Avionics:

- Six (6) Tube EFIS / EICAS w/8x7" Color Displays
- Triple IC-800 Integrated Avionics Computers (IAC)
- Triple AZ840 Micro Air Data Computers (MADC)
- Dual Honeywell RCZ-833K Integrated Comms w/Enhanced Surveillance & 8.33 Spacing
- Dual Honeywell RNZ-851 Integrated Navs (VOR/ILS/MKR, ADF, DME)
- Triple Honeywell RCZ-833 VHF's
- Quad Ametek DA-810 Data Acquisition Units (DAU)
- Triple HG-2001GD03 Inertial Reference Units
- Dual Honeywell RM-855 Radio Management Units
- Triple Honeywell Integrated FMS (SB-700-34-004)
- Dual Honeywell 12 Channel GPS
- Dual Collins HF 9000 Comms w/AVTEC CSD-714 SELCAL
- Honeywell TCAS 2000 TCAS II w/Change 7.1
- Honeywell Mark V EGPWS w/Escapes Guidance (SB-700-22-005)
- Honeywell Primus 880 Color Weather Radar
- Dual Control Heads & Lightning Sensor
- Dual Collins ALT-4000 Radar Altimeter
- Honeywell Lasertrak
- Honeywell HFR5-V Cockpit Voice Recorder
- Honeywell SSFDR Flight Data Recorder
- Artex 406 ELT w/Nav Interface

SPECIFICATIONS ARE PROVIDED FOR INFORMATIONAL PURPOSES ONLY AND DO NOT CONSTITUTE REPRESENTATIONS OR WARRANTIES. THESE SPECIFICATIONS ARE SUBJECT TO BUYER'S INDEPENDENT VERIFICATION UPON INSPECTION.
THE AIRCRAFT IS SUBJECT TO PRIOR SALE, LEASE AND/OR REMOVAL FROM THE MARKET WITHOUT PRIOR NOTICE. JUNE 18, 2021 4:59 PM

2003 Global Express SN 9133 VH-CCV

Connectivity:

- Swift Broadband High Speed Data
 - TrueNorth Iridium Duo Phone
 - Satcom Direct SDR WiFi
 - Honeywell MC-7163 SATCOM
-

Entertainment:

- Rockwell Collins Venue Cabin Management System
 - Airshow Interactive ASXi w/App for iPad
 - TC-6000 Touch Screens
 - Blu-Ray Player
 - Dual Disc DVD Player
 - Galley USB Input Port
 - AUX AV (HDMI) Input Panel
 - iPod/iPad/Aux System Inputs
 - 24" HD LCD Bulkhead Monitors
 - ALTO Cabin Speakers
-

Maintenance Programs:

- Engines on Rolls Royce Corporate Care
- APU on Honeywell MSP
- Central Aircraft Information Maintenance System (CAIMS)

Inspection Status:

Inspection	Compliance
750 Hour	6452 Hours
15 Month	October 2020
30 Month	September 2019
60 Month	December 2019
120 Month	February 2015

Navigation Compliance:

- MNPS/RNP-10/RNP-5/RVSM
 - ADS B-Out
 - Honeywell TCAS 2000 TCAS II w/Change 7.1
-

Weights:

Max Ramp	99,750 lbs.
Max Take-Off.....	98,000 lbs.
Max Landing.....	78,600 lbs.
Basic Operating.....	51,525 lbs.
Empty.....	50,125 lbs.
Re-Weigh C/W.....	January 2021

SPECIFICATIONS ARE PROVIDED FOR INFORMATIONAL PURPOSES ONLY AND DO NOT CONSTITUTE REPRESENTATIONS OR WARRANTIES. THESE SPECIFICATIONS ARE SUBJECT TO BUYER'S INDEPENDENT VERIFICATION UPON INSPECTION.
THE AIRCRAFT IS SUBJECT TO PRIOR SALE, LEASE AND/OR REMOVAL FROM THE MARKET WITHOUT PRIOR NOTICE. JUNE 18, 2021 4:59 PM

2003 Global Express SN 9133 VH-CCV

Features/Options:

- Securaplane Electronic Security System
- Auto Emergency Descent (SB-700-22-003)
- Full Flight Regime Auto-Throttle
- Full Authority Digital Engine Control System (FADEC)
- CD820 Camera Video
- GDC64 for EFB iPads
- Teledyne TeleLink System
- Cockpit Printer
- Cockpit Side Window Roller Shades
- Cockpit Digital Clocks
- Smart Stem Tyre Pressure Sensors
- Additional Refuel Defuel Panel
- 10.6" Galley Touch Screen
- 115V AC 60HZ Outlets

Lights

- Logo Lights
- Pulse Landing Lights
- New LED Cabin Lighting

Interior:

STC'd Interior (March 2015) by Jet Aviation, St. Louis

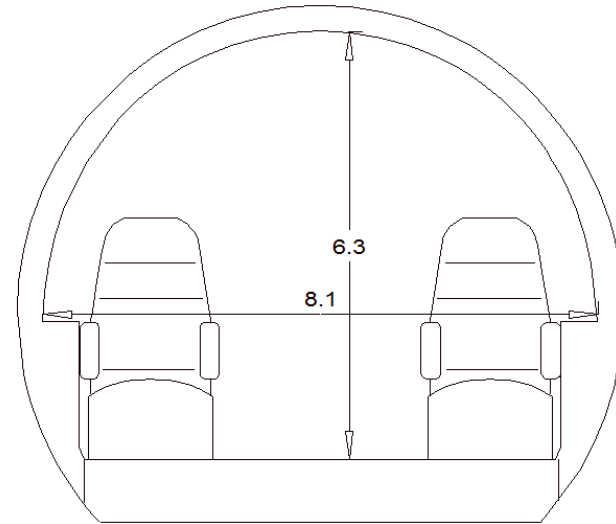
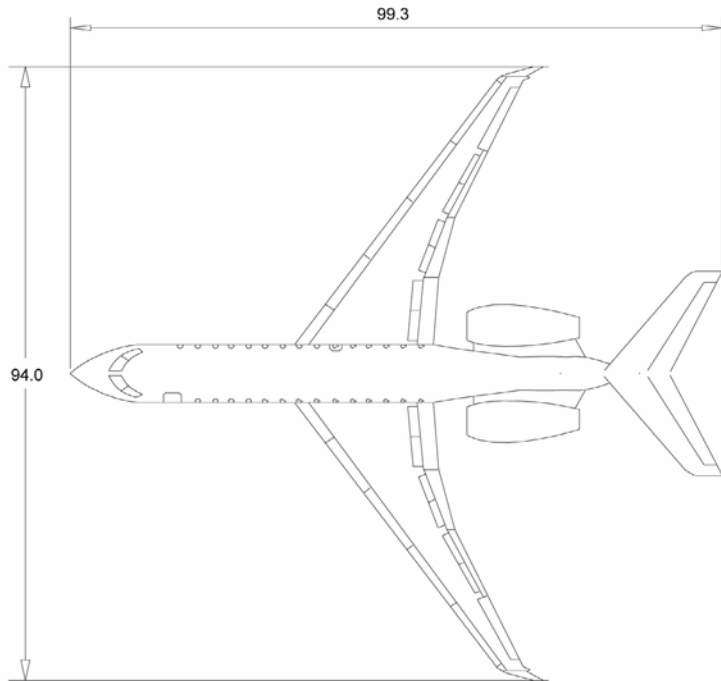
- Fifteen (15) Passenger Configuration (Sleeps 9)
- Removable Mid-Cabin Bulkhead
- Forward and Aft Vacuum Lavatories
- Flight Attendant Rest Area w/Monitor
- Galley Chiller, TIA Flight Oven, Two (2) Microwaves

Exterior: New Paint by Jet Aviation, St. Louis - February 2015

Overall Matterhorn White with Flight Blue Accent Striping.

SPECIFICATIONS ARE PROVIDED FOR INFORMATIONAL PURPOSES ONLY AND DO NOT CONSTITUTE REPRESENTATIONS OR WARRANTIES. THESE SPECIFICATIONS ARE SUBJECT TO BUYER'S INDEPENDENT VERIFICATION UPON INSPECTION.
THE AIRCRAFT IS SUBJECT TO PRIOR SALE, LEASE AND/OR REMOVAL FROM THE MARKET WITHOUT PRIOR NOTICE. JUNE 18, 2021 4:59 PM

2003 Global Express SN 9133 VH-CCV



SPECIFICATIONS ARE PROVIDED FOR INFORMATIONAL PURPOSES ONLY AND DO NOT CONSTITUTE REPRESENTATIONS OR WARRANTIES. THESE SPECIFICATIONS ARE SUBJECT TO BUYER'S INDEPENDENT VERIFICATION UPON INSPECTION.
THE AIRCRAFT IS SUBJECT TO PRIOR SALE, LEASE AND/OR REMOVAL FROM THE MARKET WITHOUT PRIOR NOTICE. JUNE 18, 2021 4:59 PM

2003 Global Express SN 9133 VH-CCV



SPECIFICATIONS ARE PROVIDED FOR INFORMATIONAL PURPOSES ONLY AND DO NOT CONSTITUTE REPRESENTATIONS OR WARRANTIES. THESE SPECIFICATIONS ARE SUBJECT TO BUYER'S INDEPENDENT VERIFICATION UPON INSPECTION.
THE AIRCRAFT IS SUBJECT TO PRIOR SALE, LEASE AND/OR REMOVAL FROM THE MARKET WITHOUT PRIOR NOTICE. JUNE 18, 2021 4:59 PM

AVPROJETS.COM
info@avprojets.com

900 Bestgate Road Suite 412 Annapolis, MD 21401
+1.410.573.1515

Chris Ellis
cellis@avprojets.com

2003 Global Express SN 9133 VH-CCV



SPECIFICATIONS ARE PROVIDED FOR INFORMATIONAL PURPOSES ONLY AND DO NOT CONSTITUTE REPRESENTATIONS OR WARRANTIES. THESE SPECIFICATIONS ARE SUBJECT TO BUYER'S INDEPENDENT VERIFICATION UPON INSPECTION.
THE AIRCRAFT IS SUBJECT TO PRIOR SALE, LEASE AND/OR REMOVAL FROM THE MARKET WITHOUT PRIOR NOTICE. JUNE 18, 2021 4:59 PM

AVPROJETS.COM
info@avprojets.com

900 Bestgate Road Suite 412 Annapolis, MD 21401
+1.410.573.1515

Chris Ellis
cellis@avprojets.com

2003 Global Express SN 9133 VH-CCV



SPECIFICATIONS ARE PROVIDED FOR INFORMATIONAL PURPOSES ONLY AND DO NOT CONSTITUTE REPRESENTATIONS OR WARRANTIES. THESE SPECIFICATIONS ARE SUBJECT TO BUYER'S INDEPENDENT VERIFICATION UPON INSPECTION.
THE AIRCRAFT IS SUBJECT TO PRIOR SALE, LEASE AND/OR REMOVAL FROM THE MARKET WITHOUT PRIOR NOTICE. JUNE 18, 2021 4:59 PM

AVPROJETS.COM
info@avprojets.com

900 Bestgate Road Suite 412 Annapolis, MD 21401
+1.410.573.1515

Chris Ellis
cellis@avprojets.com

2003 Global Express SN 9133 VH-CCV



SPECIFICATIONS ARE PROVIDED FOR INFORMATIONAL PURPOSES ONLY AND DO NOT CONSTITUTE REPRESENTATIONS OR WARRANTIES. THESE SPECIFICATIONS ARE SUBJECT TO BUYER'S INDEPENDENT VERIFICATION UPON INSPECTION.
THE AIRCRAFT IS SUBJECT TO PRIOR SALE, LEASE AND/OR REMOVAL FROM THE MARKET WITHOUT PRIOR NOTICE. JUNE 18, 2021 4:59 PM

AVPROJETS.COM
info@avprojets.com

900 Bestgate Road Suite 412 Annapolis, MD 21401
+1.410.573.1515

Chris Ellis
cellis@avprojets.com

2003 Global Express SN 9133 VH-CCV



SPECIFICATIONS ARE PROVIDED FOR INFORMATIONAL PURPOSES ONLY AND DO NOT CONSTITUTE REPRESENTATIONS OR WARRANTIES. THESE SPECIFICATIONS ARE SUBJECT TO BUYER'S INDEPENDENT VERIFICATION UPON INSPECTION.
THE AIRCRAFT IS SUBJECT TO PRIOR SALE, LEASE AND/OR REMOVAL FROM THE MARKET WITHOUT PRIOR NOTICE. JUNE 18, 2021 4:59 PM

AVPROJETS.COM
info@avprojets.com

900 Bestgate Road Suite 412 Annapolis, MD 21401
+1.410.573.1515

Chris Ellis
cellis@avprojets.com

2003 Global Express SN 9133 VH-CCV



SPECIFICATIONS ARE PROVIDED FOR INFORMATIONAL PURPOSES ONLY AND DO NOT CONSTITUTE REPRESENTATIONS OR WARRANTIES. THESE SPECIFICATIONS ARE SUBJECT TO BUYER'S INDEPENDENT VERIFICATION UPON INSPECTION.
THE AIRCRAFT IS SUBJECT TO PRIOR SALE, LEASE AND/OR REMOVAL FROM THE MARKET WITHOUT PRIOR NOTICE. JUNE 18, 2021 4:59 PM

AVPROJETS.COM
info@avprojets.com

900 Bestgate Road Suite 412 Annapolis, MD 21401
+1.410.573.1515

Chris Ellis
cellis@avprojets.com

2003 Global Express SN 9133 VH-CCV



SPECIFICATIONS ARE PROVIDED FOR INFORMATIONAL PURPOSES ONLY AND DO NOT CONSTITUTE REPRESENTATIONS OR WARRANTIES. THESE SPECIFICATIONS ARE SUBJECT TO BUYER'S INDEPENDENT VERIFICATION UPON INSPECTION.
THE AIRCRAFT IS SUBJECT TO PRIOR SALE, LEASE AND/OR REMOVAL FROM THE MARKET WITHOUT PRIOR NOTICE. JUNE 18, 2021 4:59 PM

AVPROJETS.COM
info@avprojets.com

900 Bestgate Road Suite 412 Annapolis, MD 21401
+1.410.573.1515

Chris Ellis
cellis@avprojets.com

2003 Global Express SN 9133 VH-CCV



SPECIFICATIONS ARE PROVIDED FOR INFORMATIONAL PURPOSES ONLY AND DO NOT CONSTITUTE REPRESENTATIONS OR WARRANTIES. THESE SPECIFICATIONS ARE SUBJECT TO BUYER'S INDEPENDENT VERIFICATION UPON INSPECTION.
THE AIRCRAFT IS SUBJECT TO PRIOR SALE, LEASE AND/OR REMOVAL FROM THE MARKET WITHOUT PRIOR NOTICE. JUNE 18, 2021 4:59 PM

AVPROJETS.COM
info@avprojets.com

900 Bestgate Road Suite 412 Annapolis, MD 21401
+1.410.573.1515

Chris Ellis
cellis@avprojets.com

2003 Global Express SN 9133 VH-CCV



SPECIFICATIONS ARE PROVIDED FOR INFORMATIONAL PURPOSES ONLY AND DO NOT CONSTITUTE REPRESENTATIONS OR WARRANTIES. THESE SPECIFICATIONS ARE SUBJECT TO BUYER'S INDEPENDENT VERIFICATION UPON INSPECTION.
THE AIRCRAFT IS SUBJECT TO PRIOR SALE, LEASE AND/OR REMOVAL FROM THE MARKET WITHOUT PRIOR NOTICE. JUNE 18, 2021 4:59 PM

AVPROJETS.COM
info@avprojets.com

900 Bestgate Road Suite 412 Annapolis, MD 21401
+1.410.573.1515

Chris Ellis
cellis@avprojets.com

2003 Global Express SN 9133 VH-CCV



SPECIFICATIONS ARE PROVIDED FOR INFORMATIONAL PURPOSES ONLY AND DO NOT CONSTITUTE REPRESENTATIONS OR WARRANTIES. THESE SPECIFICATIONS ARE SUBJECT TO BUYER'S INDEPENDENT VERIFICATION UPON INSPECTION.
THE AIRCRAFT IS SUBJECT TO PRIOR SALE, LEASE AND/OR REMOVAL FROM THE MARKET WITHOUT PRIOR NOTICE. JUNE 18, 2021 4:59 PM

AVPROJETS.COM
info@avprojets.com

900 Bestgate Road Suite 412 Annapolis, MD 21401
+1.410.573.1515

Chris Ellis
cellis@avprojets.com

2003 Global Express SN 9133 VH-CCV



SPECIFICATIONS ARE PROVIDED FOR INFORMATIONAL PURPOSES ONLY AND DO NOT CONSTITUTE REPRESENTATIONS OR WARRANTIES. THESE SPECIFICATIONS ARE SUBJECT TO BUYER'S INDEPENDENT VERIFICATION UPON INSPECTION.
THE AIRCRAFT IS SUBJECT TO PRIOR SALE, LEASE AND/OR REMOVAL FROM THE MARKET WITHOUT PRIOR NOTICE. JUNE 18, 2021 4:59 PM

AVPROJETS.COM
info@avprojets.com

900 Bestgate Road Suite 412 Annapolis, MD 21401
+1.410.573.1515

Chris Ellis
cellis@avprojets.com

2003 Global Express SN 9133 VH-CCV



SPECIFICATIONS ARE PROVIDED FOR INFORMATIONAL PURPOSES ONLY AND DO NOT CONSTITUTE REPRESENTATIONS OR WARRANTIES. THESE SPECIFICATIONS ARE SUBJECT TO BUYER'S INDEPENDENT VERIFICATION UPON INSPECTION.
THE AIRCRAFT IS SUBJECT TO PRIOR SALE, LEASE AND/OR REMOVAL FROM THE MARKET WITHOUT PRIOR NOTICE. JUNE 18, 2021 4:59 PM

AVPROJETS.COM
info@avprojets.com

900 Bestgate Road Suite 412 Annapolis, MD 21401
+1.410.573.1515

Chris Ellis
cellis@avprojets.com

2003 Global Express SN 9133 VH-CCV



SPECIFICATIONS ARE PROVIDED FOR INFORMATIONAL PURPOSES ONLY AND DO NOT CONSTITUTE REPRESENTATIONS OR WARRANTIES. THESE SPECIFICATIONS ARE SUBJECT TO BUYER'S INDEPENDENT VERIFICATION UPON INSPECTION.
THE AIRCRAFT IS SUBJECT TO PRIOR SALE, LEASE AND/OR REMOVAL FROM THE MARKET WITHOUT PRIOR NOTICE. JUNE 18, 2021 4:59 PM

AVPROJETS.COM
info@avprojets.com

900 Bestgate Road Suite 412 Annapolis, MD 21401
+1.410.573.1515

Chris Ellis
cellis@avprojets.com

2003 Global Express SN 9133 VH-CCV



SPECIFICATIONS ARE PROVIDED FOR INFORMATIONAL PURPOSES ONLY AND DO NOT CONSTITUTE REPRESENTATIONS OR WARRANTIES. THESE SPECIFICATIONS ARE SUBJECT TO BUYER'S INDEPENDENT VERIFICATION UPON INSPECTION.
THE AIRCRAFT IS SUBJECT TO PRIOR SALE, LEASE AND/OR REMOVAL FROM THE MARKET WITHOUT PRIOR NOTICE. JUNE 18, 2021 4:59 PM

AVPROJETS.COM
info@avprojets.com

900 Bestgate Road Suite 412 Annapolis, MD 21401
+1.410.573.1515

Chris Ellis
cellis@avprojets.com

2003 Global Express SN 9133 VH-CCV



SPECIFICATIONS ARE PROVIDED FOR INFORMATIONAL PURPOSES ONLY AND DO NOT CONSTITUTE REPRESENTATIONS OR WARRANTIES. THESE SPECIFICATIONS ARE SUBJECT TO BUYER'S INDEPENDENT VERIFICATION UPON INSPECTION.
THE AIRCRAFT IS SUBJECT TO PRIOR SALE, LEASE AND/OR REMOVAL FROM THE MARKET WITHOUT PRIOR NOTICE. JUNE 18, 2021 4:59 PM

AVPROJETS.COM
info@avprojets.com

900 Bestgate Road Suite 412 Annapolis, MD 21401
+1.410.573.1515

Chris Ellis
cellis@avprojets.com

2003 Global Express SN 9133 VH-CCV



SPECIFICATIONS ARE PROVIDED FOR INFORMATIONAL PURPOSES ONLY AND DO NOT CONSTITUTE REPRESENTATIONS OR WARRANTIES. THESE SPECIFICATIONS ARE SUBJECT TO BUYER'S INDEPENDENT VERIFICATION UPON INSPECTION.
THE AIRCRAFT IS SUBJECT TO PRIOR SALE, LEASE AND/OR REMOVAL FROM THE MARKET WITHOUT PRIOR NOTICE. JUNE 18, 2021 4:59 PM

AVPROJETS.COM
info@avprojets.com

900 Bestgate Road Suite 412 Annapolis, MD 21401
+1.410.573.1515

Chris Ellis
cellis@avprojets.com

2003 Global Express SN 9133 VH-CCV



SPECIFICATIONS ARE PROVIDED FOR INFORMATIONAL PURPOSES ONLY AND DO NOT CONSTITUTE REPRESENTATIONS OR WARRANTIES. THESE SPECIFICATIONS ARE SUBJECT TO BUYER'S INDEPENDENT VERIFICATION UPON INSPECTION.
THE AIRCRAFT IS SUBJECT TO PRIOR SALE, LEASE AND/OR REMOVAL FROM THE MARKET WITHOUT PRIOR NOTICE. JUNE 18, 2021 4:59 PM

AVPROJETS.COM
info@avprojets.com

900 Bestgate Road Suite 412 Annapolis, MD 21401
+1.410.573.1515

Chris Ellis
cellis@avprojets.com

2003 Global Express SN 9133 VH-CCV



SPECIFICATIONS ARE PROVIDED FOR INFORMATIONAL PURPOSES ONLY AND DO NOT CONSTITUTE REPRESENTATIONS OR WARRANTIES. THESE SPECIFICATIONS ARE SUBJECT TO BUYER'S INDEPENDENT VERIFICATION UPON INSPECTION.
THE AIRCRAFT IS SUBJECT TO PRIOR SALE, LEASE AND/OR REMOVAL FROM THE MARKET WITHOUT PRIOR NOTICE. JUNE 18, 2021 4:59 PM

AVPROJETS.COM
info@avprojets.com

900 Bestgate Road Suite 412 Annapolis, MD 21401
+1.410.573.1515

Chris Ellis
cellis@avprojets.com

2003 Global Express SN 9133 VH-CCV



SPECIFICATIONS ARE PROVIDED FOR INFORMATIONAL PURPOSES ONLY AND DO NOT CONSTITUTE REPRESENTATIONS OR WARRANTIES. THESE SPECIFICATIONS ARE SUBJECT TO BUYER'S INDEPENDENT VERIFICATION UPON INSPECTION.
THE AIRCRAFT IS SUBJECT TO PRIOR SALE, LEASE AND/OR REMOVAL FROM THE MARKET WITHOUT PRIOR NOTICE. JUNE 18, 2021 4:59 PM

AVPROJETS.COM
info@avprojets.com

900 Bestgate Road Suite 412 Annapolis, MD 21401
+1.410.573.1515

Chris Ellis
cellis@avprojets.com

2003 Global Express SN 9133 VH-CCV



SPECIFICATIONS ARE PROVIDED FOR INFORMATIONAL PURPOSES ONLY AND DO NOT CONSTITUTE REPRESENTATIONS OR WARRANTIES. THESE SPECIFICATIONS ARE SUBJECT TO BUYER'S INDEPENDENT VERIFICATION UPON INSPECTION.
THE AIRCRAFT IS SUBJECT TO PRIOR SALE, LEASE AND/OR REMOVAL FROM THE MARKET WITHOUT PRIOR NOTICE. JUNE 18, 2021 4:59 PM

AVPROJETS.COM
info@avprojets.com

900 Bestgate Road Suite 412 Annapolis, MD 21401
+1.410.573.1515

Chris Ellis
cellis@avprojets.com

2003 Global Express SN 9133 VH-CCV



SPECIFICATIONS ARE PROVIDED FOR INFORMATIONAL PURPOSES ONLY AND DO NOT CONSTITUTE REPRESENTATIONS OR WARRANTIES. THESE SPECIFICATIONS ARE SUBJECT TO BUYER'S INDEPENDENT VERIFICATION UPON INSPECTION. THE AIRCRAFT IS SUBJECT TO PRIOR SALE, LEASE AND/OR REMOVAL FROM THE MARKET WITHOUT PRIOR NOTICE. JUNE 18, 2021 4:59 PM

AVPROJETS.COM
info@avprojets.com

900 Bestgate Road Suite 412 Annapolis, MD 21401
+1.410.573.1515

Chris Ellis
cellis@avprojets.com

2003 Global Express SN 9133 VH-CCV



SPECIFICATIONS ARE PROVIDED FOR INFORMATIONAL PURPOSES ONLY AND DO NOT CONSTITUTE REPRESENTATIONS OR WARRANTIES. THESE SPECIFICATIONS ARE SUBJECT TO BUYER'S INDEPENDENT VERIFICATION UPON INSPECTION.
THE AIRCRAFT IS SUBJECT TO PRIOR SALE, LEASE AND/OR REMOVAL FROM THE MARKET WITHOUT PRIOR NOTICE. JUNE 18, 2021 4:59 PM

AVPROJETS.COM
info@avprojets.com

900 Bestgate Road Suite 412 Annapolis, MD 21401
+1.410.573.1515

Chris Ellis
cellis@avprojets.com



AVPRO INC.

▪ CELEBRATING **30** YEARS OF EXCELLENCE ▪

We perform for our clients, averaging two transactions a week.

We match aircraft to your specifications in a professional and timely manner, allowing you to concentrate on your business, leaving the important details of marketing, market research, negotiating and contracting to us.

When it's time to buy, lease or sell an aircraft, you want to deal with Avpro, a firm known for its Performance for our clients, Integrity in the way we do business, and Reputation as the key ingredient for future business.

SERVING CUSTOMERS
AROUND THE GLOBE

Talk to Us info@avprojets.com +1.410.573.1515

Connect with Us LINKEDIN FACEBOOK TWITTER INSTAGRAM



AVPROJETS.COM
info@avprojets.com

900 Bestgate Road Suite 412 Annapolis, MD 21401
+1.410.573.1515

Chris Ellis
cellis@avprojets.com