

1998 Bombardier SN 5350

# Challenger 604



CLICK TO VIEW  
VIRTUAL TOUR



**AVPRO** INC.  
www.avprojets.com

EXECUTIVE SALES DIRECTOR

**Mike Caruso**  
mcaruso@avprojets.com  
+1.410.573.1515

# 1998 Challenger 604 SN 5350 N604CH

---

## Aircraft Listing Details:

Total Hours: 4009  
Total Landings: 2678

---

## Engines: General Electric CF34-3B

	#1	#2
Total Hours:	4009	4009
Engine Cycles:	2678	2678
Serial Numbers:	872209	872208

## APU: Honeywell GTCP 36-150 CL

Total Hours: 6914  
Serial Number: P-559C  
*Installed with 2822 TT, 02/2008*

---

## Aircraft Highlights:

- U.S. Registered
- Two Owner Corporate Pedigree
- Very Low Airframe Hours - 64% Below Fleet Average
- Fresh Inspections April 2022 by Bombardier-Wichita
  - 6/12/24/48/96/192 Month Inspections
  - 96 Month Landing Gear Overhaul
  - Logbook Research & Records Report
  - Engine & APU Borescopes
- New Paint May 2022 by West Star-Grand Junction
- Preferred 12 Passenger Interior Configuration
- Engines Enrolled on GE OnPoint
- APU Enrolled on Honeywell MSP Gold

## Avionics:

- Collins Pro-Line IV (6-Tube EFIS w/7"x7" Displays)
- Precision Plus Upgrade 05/2006
- Collins FCC 4006 Flight Control Computers
- ADS-B Out
- Dual Collins VHF-422B Comms
- Dual Collins VIR-432 Navs
- Dual Collins DME-442 DME's
- Dual Collins ADF-462 ADF's
- Collins 850E Digital Air Data Computers
- Dual Collins TDR-94 Mode S Transponders w/Flight ID
- Triple Collins FMS-6000 FMS w/Dual GPS-4000 (Precision Plus March 2005)
- Triple Litton LTN-101 Inertial Reference System
- MDC 4000 Maintenance Diagnostic Computer
- Secal Decoder – Coltech CSD - 714
- Collins RTU-Radio Tuning Units
- Collins Dual HF 9000 HFs
- Collins ALT 55 Radio Altimeter
- Collins Data Concentrator Units
- Honeywell EGPWS w/ Windshear
- Collins TCAS II w/Change 7.1
- Collins RTA-858 Radar
- USB Data Loader DBU 4100
- L3 Cockpit Voice Recorder w/Underwater Locator Beacon
- L3 Flight Data Recorder w/Underwater Locator Beacon
- Global Satellite AFIS System
- Artex 406 MHz ELT

---

SPECIFICATIONS ARE PROVIDED FOR INFORMATIONAL PURPOSES ONLY AND DO NOT CONSTITUTE REPRESENTATIONS OR WARRANTIES. THESE SPECIFICATIONS ARE SUBJECT TO BUYER'S INDEPENDENT VERIFICATION UPON INSPECTION.  
THE AIRCRAFT IS SUBJECT TO PRIOR SALE, LEASE AND/OR REMOVAL FROM THE MARKET WITHOUT PRIOR NOTICE. MAY 20, 2022 6:19 PM

# 1998 Challenger 604 SN 5350 N604CH

---

## Entertainment:

- Airshow Genesys
  - Forward & Aft 14.2" Monitors
- 

## Maintenance Programs:

- Engines Enrolled on GE OnPoint
  - APU Enrolled on Honeywell MSP Gold
- 

## Weights:

Maximum Take Off ..... 48,200 lbs.

Ramp ..... 48,300 lbs.

---

## Interior:

Fireblocked twelve (12) passenger executive interior featuring a forward cabin four (4) place executive configuration in burgundy leather. The aft cabin features a four (4) place divan opposite a four (4) place conference group. Aft mirrored panels, gold colored plated metal, cream upper sidewalls complimented by exquisite Burled cabinetry and coordinating tan carpeting. The entertainment system features forward and aft 14.2" monitors and Airshow Genesys. Forward fully equipped Serpentine style galley equipped with a high temp TIA oven, hot cup and coffee maker. Aft private lavatory.

## Exterior: (New Paint May 2022 by West Star- Grand Junction)

Matterhorn White with Aristo Blue & Titanium Metallic Accent Striping.

## Navigation Compliance:

- ADS-B Out
  - RVSM Certified
  - Collins TCAS II w/Change 7.1
  - 8.33 Spacing/FM Immunity
- 

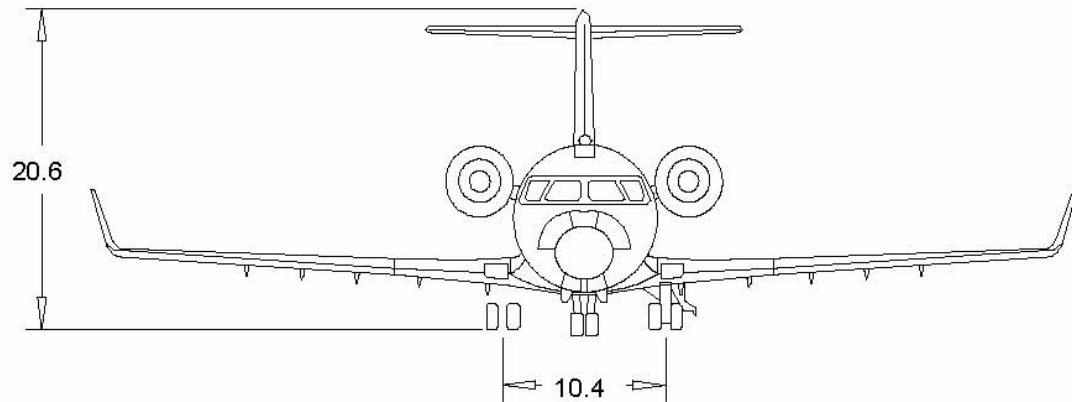
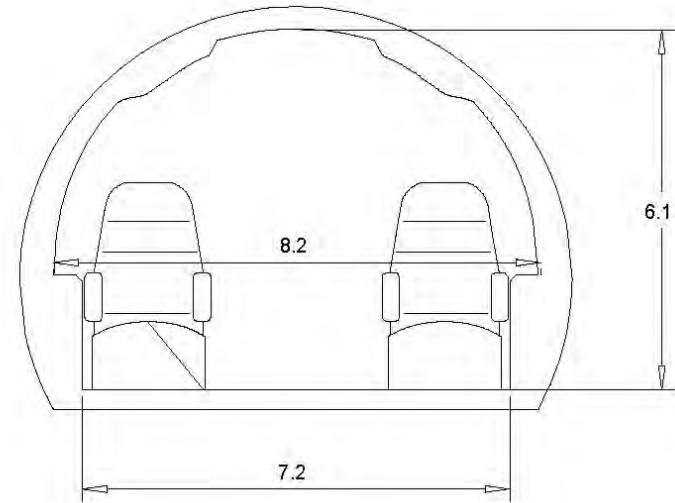
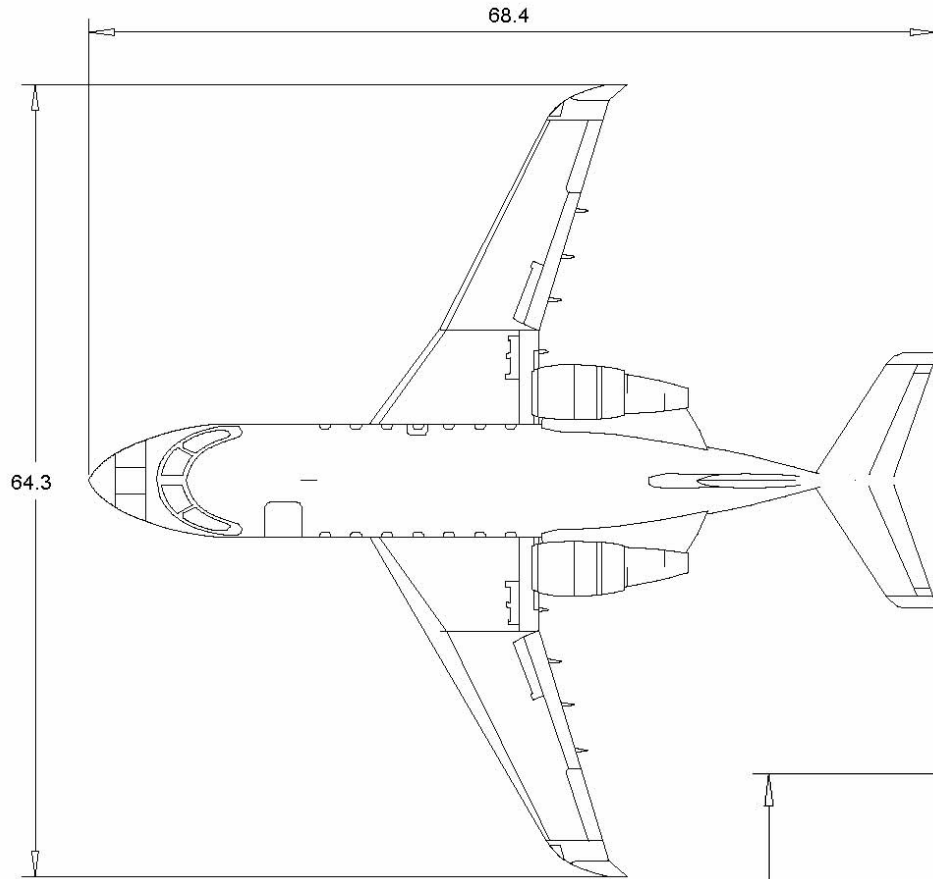
## Features/Options:

- Two (2) Life Rafts
- Aft Equipment Bay Step & Ladder
- Exterior Security Locks
- Two (2) Additional Cabin Windows
- 115V 60Hz Cabin Power Systems

---

SPECIFICATIONS ARE PROVIDED FOR INFORMATIONAL PURPOSES ONLY AND DO NOT CONSTITUTE REPRESENTATIONS OR WARRANTIES. THESE SPECIFICATIONS ARE SUBJECT TO BUYER'S INDEPENDENT VERIFICATION UPON INSPECTION.  
THE AIRCRAFT IS SUBJECT TO PRIOR SALE, LEASE AND/OR REMOVAL FROM THE MARKET WITHOUT PRIOR NOTICE. MAY 20, 2022 6:19 PM

# 1998 Challenger 604 SN 5350 N604CH



SPECIFICATIONS ARE PROVIDED FOR INFORMATIONAL PURPOSES ONLY AND DO NOT CONSTITUTE REPRESENTATIONS OR WARRANTIES. THESE SPECIFICATIONS ARE SUBJECT TO BUYER'S INDEPENDENT VERIFICATION UPON INSPECTION.  
THE AIRCRAFT IS SUBJECT TO PRIOR SALE, LEASE AND/OR REMOVAL FROM THE MARKET WITHOUT PRIOR NOTICE. MAY 20, 2022 6:19 PM

1998 Challenger 604 SN 5350 N604CH

---



SPECIFICATIONS ARE PROVIDED FOR INFORMATIONAL PURPOSES ONLY AND DO NOT CONSTITUTE REPRESENTATIONS OR WARRANTIES. THESE SPECIFICATIONS ARE SUBJECT TO BUYER'S INDEPENDENT VERIFICATION UPON INSPECTION.  
THE AIRCRAFT IS SUBJECT TO PRIOR SALE, LEASE AND/OR REMOVAL FROM THE MARKET WITHOUT PRIOR NOTICE. MAY 20, 2022 6:19 PM

**AVPROJETS.COM**  
info@avprojets.com

900 Bestgate Road Suite 412 Annapolis, MD 21401  
+1.410.573.1515

**Mike Caruso**  
mcaruso@avprojets.com

1998 Challenger 604 SN 5350 N604CH

---



SPECIFICATIONS ARE PROVIDED FOR INFORMATIONAL PURPOSES ONLY AND DO NOT CONSTITUTE REPRESENTATIONS OR WARRANTIES. THESE SPECIFICATIONS ARE SUBJECT TO BUYER'S INDEPENDENT VERIFICATION UPON INSPECTION.  
THE AIRCRAFT IS SUBJECT TO PRIOR SALE, LEASE AND/OR REMOVAL FROM THE MARKET WITHOUT PRIOR NOTICE. MAY 20, 2022 6:19 PM

**AVPROJETS.COM**  
info@avprojets.com

900 Bestgate Road Suite 412 Annapolis, MD 21401  
+1.410.573.1515

**Mike Caruso**  
mcaruso@avprojets.com

1998 Challenger 604 SN 5350 N604CH

---



SPECIFICATIONS ARE PROVIDED FOR INFORMATIONAL PURPOSES ONLY AND DO NOT CONSTITUTE REPRESENTATIONS OR WARRANTIES. THESE SPECIFICATIONS ARE SUBJECT TO BUYER'S INDEPENDENT VERIFICATION UPON INSPECTION.  
THE AIRCRAFT IS SUBJECT TO PRIOR SALE, LEASE AND/OR REMOVAL FROM THE MARKET WITHOUT PRIOR NOTICE. MAY 20, 2022 6:19 PM

**AVPROJETS.COM**  
info@avprojets.com

900 Bestgate Road Suite 412 Annapolis, MD 21401  
+1.410.573.1515

**Mike Caruso**  
mcaruso@avprojets.com

1998 Challenger 604 SN 5350 N604CH

---



SPECIFICATIONS ARE PROVIDED FOR INFORMATIONAL PURPOSES ONLY AND DO NOT CONSTITUTE REPRESENTATIONS OR WARRANTIES. THESE SPECIFICATIONS ARE SUBJECT TO BUYER'S INDEPENDENT VERIFICATION UPON INSPECTION.  
THE AIRCRAFT IS SUBJECT TO PRIOR SALE, LEASE AND/OR REMOVAL FROM THE MARKET WITHOUT PRIOR NOTICE. MAY 20, 2022 6:19 PM

**AVPROJETS.COM**  
info@avprojets.com

900 Bestgate Road Suite 412 Annapolis, MD 21401  
+1.410.573.1515

**Mike Caruso**  
mcaruso@avprojets.com



1998 Challenger 604 SN 5350 N604CH

---



SPECIFICATIONS ARE PROVIDED FOR INFORMATIONAL PURPOSES ONLY AND DO NOT CONSTITUTE REPRESENTATIONS OR WARRANTIES. THESE SPECIFICATIONS ARE SUBJECT TO BUYER'S INDEPENDENT VERIFICATION UPON INSPECTION.  
THE AIRCRAFT IS SUBJECT TO PRIOR SALE, LEASE AND/OR REMOVAL FROM THE MARKET WITHOUT PRIOR NOTICE. MAY 20, 2022 6:19 PM

**AVPROJETS.COM**  
info@avprojets.com

900 Bestgate Road Suite 412 Annapolis, MD 21401  
+1.410.573.1515

**Mike Caruso**  
mcaruso@avprojets.com

**1998 Challenger 604 SN 5350 N604CH**

---



SPECIFICATIONS ARE PROVIDED FOR INFORMATIONAL PURPOSES ONLY AND DO NOT CONSTITUTE REPRESENTATIONS OR WARRANTIES. THESE SPECIFICATIONS ARE SUBJECT TO BUYER'S INDEPENDENT VERIFICATION UPON INSPECTION.  
THE AIRCRAFT IS SUBJECT TO PRIOR SALE, LEASE AND/OR REMOVAL FROM THE MARKET WITHOUT PRIOR NOTICE. MAY 20, 2022 6:19 PM

**AVPROJETS.COM**  
info@avprojets.com

900 Bestgate Road Suite 412 Annapolis, MD 21401  
+1.410.573.1515

**Mike Caruso**  
mcaruso@avprojets.com

1998 Challenger 604 SN 5350 N604CH

---



SPECIFICATIONS ARE PROVIDED FOR INFORMATIONAL PURPOSES ONLY AND DO NOT CONSTITUTE REPRESENTATIONS OR WARRANTIES. THESE SPECIFICATIONS ARE SUBJECT TO BUYER'S INDEPENDENT VERIFICATION UPON INSPECTION.  
THE AIRCRAFT IS SUBJECT TO PRIOR SALE, LEASE AND/OR REMOVAL FROM THE MARKET WITHOUT PRIOR NOTICE. MAY 20, 2022 6:19 PM

**AVPROJETS.COM**  
info@avprojets.com

900 Bestgate Road Suite 412 Annapolis, MD 21401  
+1.410.573.1515

**Mike Caruso**  
mcaruso@avprojets.com

# 1998 Challenger 604 SN 5350 N604CH



SPECIFICATIONS ARE PROVIDED FOR INFORMATIONAL PURPOSES ONLY AND DO NOT CONSTITUTE REPRESENTATIONS OR WARRANTIES. THESE SPECIFICATIONS ARE SUBJECT TO BUYER'S INDEPENDENT VERIFICATION UPON INSPECTION.  
THE AIRCRAFT IS SUBJECT TO PRIOR SALE, LEASE AND/OR REMOVAL FROM THE MARKET WITHOUT PRIOR NOTICE. MAY 20, 2022 6:19 PM

**AVPROJETS.COM**  
info@avprojets.com

900 Bestgate Road Suite 412 Annapolis, MD 21401  
+1.410.573.1515

**Mike Caruso**  
mcaruso@avprojets.com

1998 Challenger 604 SN 5350 N604CH



SPECIFICATIONS ARE PROVIDED FOR INFORMATIONAL PURPOSES ONLY AND DO NOT CONSTITUTE REPRESENTATIONS OR WARRANTIES. THESE SPECIFICATIONS ARE SUBJECT TO BUYER'S INDEPENDENT VERIFICATION UPON INSPECTION.  
THE AIRCRAFT IS SUBJECT TO PRIOR SALE, LEASE AND/OR REMOVAL FROM THE MARKET WITHOUT PRIOR NOTICE. MAY 20, 2022 6:19 PM

**AVPROJETS.COM**  
info@avprojets.com

900 Bestgate Road Suite 412 Annapolis, MD 21401  
+1.410.573.1515

**Mike Caruso**  
mcaruso@avprojets.com

1998 Challenger 604 SN 5350 N604CH



SPECIFICATIONS ARE PROVIDED FOR INFORMATIONAL PURPOSES ONLY AND DO NOT CONSTITUTE REPRESENTATIONS OR WARRANTIES. THESE SPECIFICATIONS ARE SUBJECT TO BUYER'S INDEPENDENT VERIFICATION UPON INSPECTION.  
THE AIRCRAFT IS SUBJECT TO PRIOR SALE, LEASE AND/OR REMOVAL FROM THE MARKET WITHOUT PRIOR NOTICE. MAY 20, 2022 6:19 PM

**AVPROJETS.COM**  
info@avprojets.com

900 Bestgate Road Suite 412 Annapolis, MD 21401  
+1.410.573.1515

**Mike Caruso**  
mcaruso@avprojets.com

1998 Challenger 604 SN 5350 N604CH



SPECIFICATIONS ARE PROVIDED FOR INFORMATIONAL PURPOSES ONLY AND DO NOT CONSTITUTE REPRESENTATIONS OR WARRANTIES. THESE SPECIFICATIONS ARE SUBJECT TO BUYER'S INDEPENDENT VERIFICATION UPON INSPECTION.  
THE AIRCRAFT IS SUBJECT TO PRIOR SALE, LEASE AND/OR REMOVAL FROM THE MARKET WITHOUT PRIOR NOTICE. MAY 20, 2022 6:19 PM

**AVPROJETS.COM**  
info@avprojets.com

900 Bestgate Road Suite 412 Annapolis, MD 21401  
+1.410.573.1515

**Mike Caruso**  
mcaruso@avprojets.com

1998 Challenger 604 SN 5350 N604CH



SPECIFICATIONS ARE PROVIDED FOR INFORMATIONAL PURPOSES ONLY AND DO NOT CONSTITUTE REPRESENTATIONS OR WARRANTIES. THESE SPECIFICATIONS ARE SUBJECT TO BUYER'S INDEPENDENT VERIFICATION UPON INSPECTION.  
THE AIRCRAFT IS SUBJECT TO PRIOR SALE, LEASE AND/OR REMOVAL FROM THE MARKET WITHOUT PRIOR NOTICE. MAY 20, 2022 6:19 PM

**AVPROJETS.COM**  
info@avprojets.com

900 Bestgate Road Suite 412 Annapolis, MD 21401  
+1.410.573.1515

**Mike Caruso**  
mcaruso@avprojets.com



1998 Challenger 604 SN 5350 N604CH



SPECIFICATIONS ARE PROVIDED FOR INFORMATIONAL PURPOSES ONLY AND DO NOT CONSTITUTE REPRESENTATIONS OR WARRANTIES. THESE SPECIFICATIONS ARE SUBJECT TO BUYER'S INDEPENDENT VERIFICATION UPON INSPECTION.  
THE AIRCRAFT IS SUBJECT TO PRIOR SALE, LEASE AND/OR REMOVAL FROM THE MARKET WITHOUT PRIOR NOTICE. MAY 20, 2022 6:19 PM

**AVPROJETS.COM**  
info@avprojets.com

900 Bestgate Road Suite 412 Annapolis, MD 21401  
+1.410.573.1515

**Mike Caruso**  
mcaruso@avprojets.com

1998 Challenger 604 SN 5350 N604CH



SPECIFICATIONS ARE PROVIDED FOR INFORMATIONAL PURPOSES ONLY AND DO NOT CONSTITUTE REPRESENTATIONS OR WARRANTIES. THESE SPECIFICATIONS ARE SUBJECT TO BUYER'S INDEPENDENT VERIFICATION UPON INSPECTION.  
THE AIRCRAFT IS SUBJECT TO PRIOR SALE, LEASE AND/OR REMOVAL FROM THE MARKET WITHOUT PRIOR NOTICE. MAY 20, 2022 6:19 PM

**AVPROJETS.COM**  
info@avprojets.com

900 Bestgate Road Suite 412 Annapolis, MD 21401  
+1.410.573.1515

**Mike Caruso**  
mcaruso@avprojets.com

1998 Challenger 604 SN 5350 N604CH



SPECIFICATIONS ARE PROVIDED FOR INFORMATIONAL PURPOSES ONLY AND DO NOT CONSTITUTE REPRESENTATIONS OR WARRANTIES. THESE SPECIFICATIONS ARE SUBJECT TO BUYER'S INDEPENDENT VERIFICATION UPON INSPECTION.  
THE AIRCRAFT IS SUBJECT TO PRIOR SALE, LEASE AND/OR REMOVAL FROM THE MARKET WITHOUT PRIOR NOTICE. MAY 20, 2022 6:19 PM

**AVPROJETS.COM**  
info@avprojets.com

900 Bestgate Road Suite 412 Annapolis, MD 21401  
+1.410.573.1515

**Mike Caruso**  
mcaruso@avprojets.com

1998 Challenger 604 SN 5350 N604CH



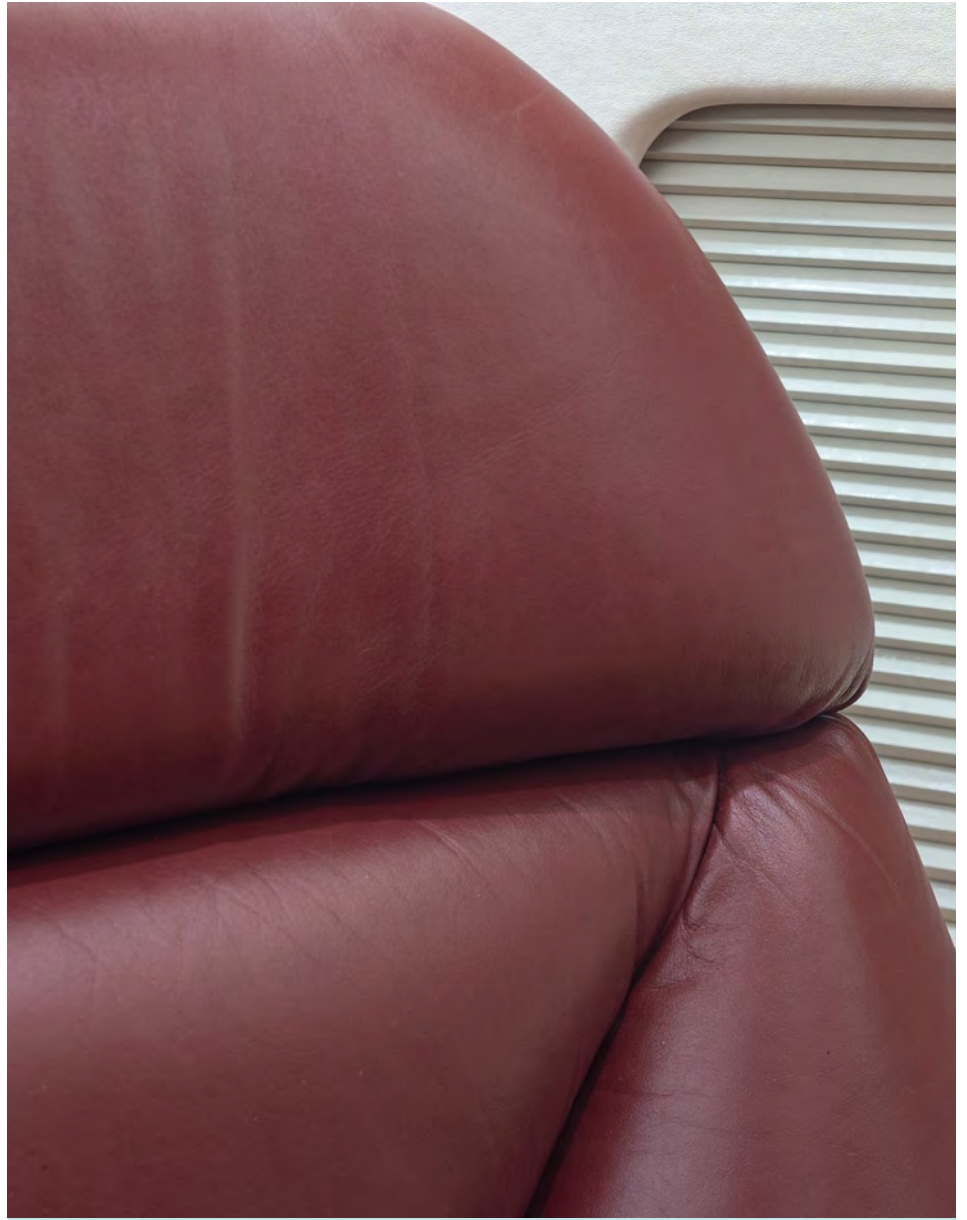
SPECIFICATIONS ARE PROVIDED FOR INFORMATIONAL PURPOSES ONLY AND DO NOT CONSTITUTE REPRESENTATIONS OR WARRANTIES. THESE SPECIFICATIONS ARE SUBJECT TO BUYER'S INDEPENDENT VERIFICATION UPON INSPECTION.  
THE AIRCRAFT IS SUBJECT TO PRIOR SALE, LEASE AND/OR REMOVAL FROM THE MARKET WITHOUT PRIOR NOTICE. MAY 20, 2022 6:19 PM

**AVPROJETS.COM**  
info@avprojets.com

900 Bestgate Road Suite 412 Annapolis, MD 21401  
+1.410.573.1515

**Mike Caruso**  
mcaruso@avprojets.com

1998 Challenger 604 SN 5350 N604CH



SPECIFICATIONS ARE PROVIDED FOR INFORMATIONAL PURPOSES ONLY AND DO NOT CONSTITUTE REPRESENTATIONS OR WARRANTIES. THESE SPECIFICATIONS ARE SUBJECT TO BUYER'S INDEPENDENT VERIFICATION UPON INSPECTION.  
THE AIRCRAFT IS SUBJECT TO PRIOR SALE, LEASE AND/OR REMOVAL FROM THE MARKET WITHOUT PRIOR NOTICE. MAY 20, 2022 6:19 PM

**AVPROJETS.COM**  
info@avprojets.com

900 Bestgate Road Suite 412 Annapolis, MD 21401  
+1.410.573.1515

**Mike Caruso**  
mcaruso@avprojets.com

1998 Challenger 604 SN 5350 N604CH



SPECIFICATIONS ARE PROVIDED FOR INFORMATIONAL PURPOSES ONLY AND DO NOT CONSTITUTE REPRESENTATIONS OR WARRANTIES. THESE SPECIFICATIONS ARE SUBJECT TO BUYER'S INDEPENDENT VERIFICATION UPON INSPECTION.  
THE AIRCRAFT IS SUBJECT TO PRIOR SALE, LEASE AND/OR REMOVAL FROM THE MARKET WITHOUT PRIOR NOTICE. MAY 20, 2022 6:19 PM

**AVPROJETS.COM**  
info@avprojets.com

900 Bestgate Road Suite 412 Annapolis, MD 21401  
+1.410.573.1515

**Mike Caruso**  
mcaruso@avprojets.com



**AVPRO** INC.

▪ CELEBRATING **30** YEARS OF EXCELLENCE ▪

We perform for our clients, averaging two transactions a week.

We match aircraft to your specifications in a professional and timely manner, allowing you to concentrate on your business, leaving the important details of marketing, market research, negotiating and contracting to us.

Avpro offers aircraft financing advisory services. We have the expertise to navigate the appropriate structure, costs and terms to help you meet your objectives. We are ready to provide advice, analysis and sourcing of the lender best suited to meet your requirements.

---

SERVING CUSTOMERS  
AROUND THE GLOBE

---

**Talk to Us**      [info@avprojets.com](mailto:info@avprojets.com)      +1.410.573.1515

**Connect with Us**    LINKEDIN    FACEBOOK    TWITTER    INSTAGRAM



**AVPROJETS.COM**  
[info@avprojets.com](mailto:info@avprojets.com)

900 Bestgate Road Suite 412 Annapolis, MD 21401  
+1.410.573.1515

**Mike Caruso**  
[mcaruso@avprojets.com](mailto:mcaruso@avprojets.com)