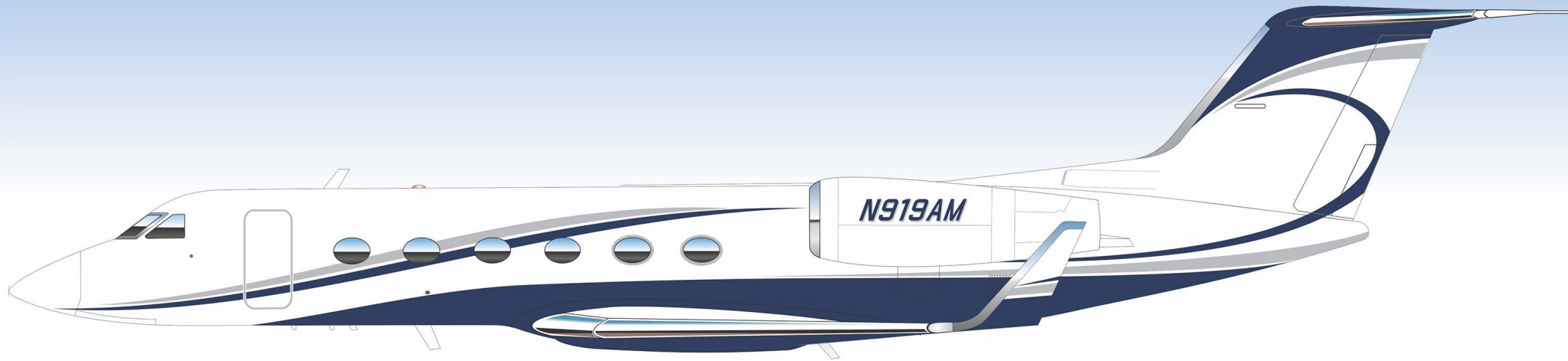


2010 Gulfstream ^{SN} 4179

G450



AVPRO INC.
www.avprojets.com

EXECUTIVE SALES DIRECTOR

Eddie Kilkeary III
ekilkeary@avprojets.com
+1.410.573.1515

2010 Gulfstream G450 SN 4179 N919AM

Aircraft Listing Details:

Total Hours: 4099
Total Landings: 1947

Engines: Rolls Royce TAY611-8C

| | #1 | #2 |
|-----------------|-------|-------|
| Total Hours: | 4056 | 3989 |
| Engine Cycles: | 1920 | 1890 |
| Serial Numbers: | 85365 | 85366 |

APU: Honeywell GTCP36-150(G)

Total Hours: 3157
Serial Number: P-294

Aircraft Highlights:

- Exceptional Ownership Pedigree
- Engines Enrolled on Rolls Royce Corporate Care
- APU Enrolled on Honeywell MSP
- JetWave KA Band Connectivity
- Enhanced Nav + FANS/CPDLC
- Synthetic Vision + XM Weather
- Fourteen (14) Pax Aft Galley Configuration
- Partial Interior Refurb @ West Star - December 2022
- Premium ARCS @ Gulfstream, Westfield November 2021
- 144 Month Inspection @ Gulfstream, Westfield November 2021
- 12 Months of Maintenance Cleared, December 2022 @ WSA-CHA

Avionics:

- Honeywell Primus Epic PlaneView™
- PlaneView™ Master Operating System Software Upgrade
- Honeywell GP-500 AutoPilot/Flight Guidance Panel
- Four (4) Honeywell DU-1310 Flat Panel Display Units
- Triple Honeywell MAU-923 Modular Avionics Units
- Triple Honeywell MC-850 Multifunction Control Display Units
- Triple Honeywell AZ-200 Air Data Modules
- Triple Honeywell AV-900 Audio Panels
- Dual Mason Cursor Control Devices
- Synthetic Vision System (SVS)
- Honeywell/Kollsman Visual Guidance System (VGS)
- Honeywell Enhanced Vision System (EVS)
- Kollsman Head Up Display (HUD)
- Triple Honeywell VHF EPIC Comms
- Triple Honeywell VHF EPIC NAVs
- Dual Honeywell DF-855 ADFs
- Dual Honeywell DME-850 DMEs
- Dual Honeywell XS-87A Transponders
- Triple Honeywell NZ-2000 FMS
- Dual Honeywell 24 Channel GPS
- Triple Honeywell Laseref V Micro IRS
- Dual Collins HF-9034A w/Selcal
- Dual Honeywell RT-300 Radio Altimeters
- Honeywell WU-880 Color Weather Radar
- Goodrich GH-3100 Standby Attitude/Airspeed/Altitude Indicator
- XM Weather ASC 60
- Honeywell TCAS 2000 w/Change 7.1
- Honeywell EGPWS w/Windshear
- L3 Flight Data Recorder
- L3 Cockpit Voice Recorder
- Honeywell w/SATLINK AFIS
- Artex ELT

SPECIFICATIONS ARE PROVIDED FOR INFORMATIONAL PURPOSES ONLY AND DO NOT CONSTITUTE REPRESENTATIONS OR WARRANTIES. THESE SPECIFICATIONS ARE SUBJECT TO BUYER'S INDEPENDENT VERIFICATION UPON INSPECTION.
THE AIRCRAFT IS SUBJECT TO PRIOR SALE, LEASE AND/OR REMOVAL FROM THE MARKET WITHOUT PRIOR NOTICE. NOVEMBER 30, 2022 10:57 AM

2010 Gulfstream G450 SN 4179 N919AM

Connectivity:

- JetWave KA Band Connectivity
 - Honeywell MCS-7000+ SATCOM
 - Aircell Axxess Iridium Flight Phone w/Four (4) Handsets
 - Wireless LAN
-

Entertainment:

- Airshow 4000
 - Forward & Aft 20" Bulkhead Monitors
 - 17" Monitor Above Credenza
 - Six (6) 7" Individual LCD Monitors
 - Multi-Regional DVD/CD Players
-

Maintenance Programs:

- Engines on Rolls-Royce Corporate Care
- APU on Honeywell MSP
- MYCMP Tracking

Inspection Status:

- Premium ARCS @ Gulfstream, Westfield November 2021
 - 144 Month Inspection @ Gulfstream, Westfield November 2021
 - 12 Months of Maintenance Cleared, December 2022 @ WSA CHA
-

Navigation Compliance:

- Enhanced Navigation (WAAS, LPV, CPDLC / FANS 1A)
 - Synthetic Vision System (SVS)
 - Honeywell Enhanced Vision System (EVS)
 - Kollsman Head Up Display (HUD)
 - TCAS 2000 (7.1)
-

Features/Options:

- Securaplane 500 w/Three (3) External Cameras
- Micro Quick Access Recorder (QAR)
- Crew Jump Seat
- Universal Wireless Remote
- 115V/60Hz Outlets
- High Temp Oven
- Microwave
- Aerolux Espresso
- TIA Coffee Maker

SPECIFICATIONS ARE PROVIDED FOR INFORMATIONAL PURPOSES ONLY AND DO NOT CONSTITUTE REPRESENTATIONS OR WARRANTIES. THESE SPECIFICATIONS ARE SUBJECT TO BUYER'S INDEPENDENT VERIFICATION UPON INSPECTION.
THE AIRCRAFT IS SUBJECT TO PRIOR SALE, LEASE AND/OR REMOVAL FROM THE MARKET WITHOUT PRIOR NOTICE. NOVEMBER 30, 2022 10:57 AM

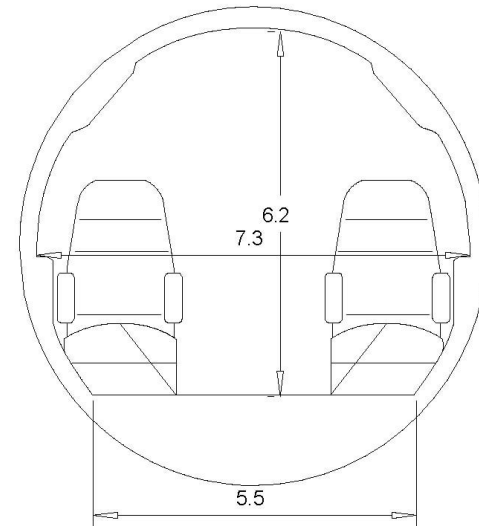
2010 Gulfstream G450 SN 4179 N919AM

Interior: (Partial Refurbishment by West Star Chattanooga, December 2022)

Fourteen (14) passenger aft galley configuration featuring a forward four (4) place club arrangement followed by a mid-cabin four (4) place divan opposite a two (2) place club arrangement. The aft cabin offers a four (4) place conference group opposite a credenza outfitted with a monitor. All individual chairs are completed in light beige leather, coordinating fabric divan, light colored patterned carpeting, medium high gloss wood veneer, satin chrome plating. Forward crew and aft passenger lavatories.

Exterior: (New Paint by West Star CHA, December 2022)

Overall Matterhorn White Upper Fuselage & Flight Blue Lower Fuselage, Ice Silver Metallic & Flight Blue Custom Accent Striping.



SPECIFICATIONS ARE PROVIDED FOR INFORMATIONAL PURPOSES ONLY AND DO NOT CONSTITUTE REPRESENTATIONS OR WARRANTIES. THESE SPECIFICATIONS ARE SUBJECT TO BUYER'S INDEPENDENT VERIFICATION UPON INSPECTION. THE AIRCRAFT IS SUBJECT TO PRIOR SALE, LEASE AND/OR REMOVAL FROM THE MARKET WITHOUT PRIOR NOTICE. NOVEMBER 30, 2022 10:57 AM

2010 Gulfstream G450 SN 4179 N919AM



SPECIFICATIONS ARE PROVIDED FOR INFORMATIONAL PURPOSES ONLY AND DO NOT CONSTITUTE REPRESENTATIONS OR WARRANTIES. THESE SPECIFICATIONS ARE SUBJECT TO BUYER'S INDEPENDENT VERIFICATION UPON INSPECTION.
THE AIRCRAFT IS SUBJECT TO PRIOR SALE, LEASE AND/OR REMOVAL FROM THE MARKET WITHOUT PRIOR NOTICE. NOVEMBER 30, 2022 10:57 AM

AVPROJETS.COM
info@avprojets.com

900 Bestgate Road Suite 412 Annapolis, MD 21401
+1.410.573.1515

Eddie Kilkeary III
ekilkeary@avprojets.com

2010 Gulfstream G450 SN 4179 N919AM



SPECIFICATIONS ARE PROVIDED FOR INFORMATIONAL PURPOSES ONLY AND DO NOT CONSTITUTE REPRESENTATIONS OR WARRANTIES. THESE SPECIFICATIONS ARE SUBJECT TO BUYER'S INDEPENDENT VERIFICATION UPON INSPECTION.
THE AIRCRAFT IS SUBJECT TO PRIOR SALE, LEASE AND/OR REMOVAL FROM THE MARKET WITHOUT PRIOR NOTICE. NOVEMBER 30, 2022 10:57 AM

AVPROJETS.COM
info@avprojets.com

900 Bestgate Road Suite 412 Annapolis, MD 21401
+1.410.573.1515

Eddie Kilkeary III
ekilkeary@avprojets.com



AVPRO INC.

CELEBRATING OVER **30** YEARS OF EXCELLENCE

We perform for our clients, averaging two transactions a week.

We match aircraft to your specifications in a professional and timely manner, allowing you to concentrate on your business, leaving the important details of marketing, market research, negotiating and contracting to us.

Avpro offers aircraft financing advisory services. We have the expertise to navigate the appropriate structure, costs and terms to help you meet your objectives. We are ready to provide advice, analysis and sourcing of the lender best suited to meet your requirements.

SERVING CUSTOMERS
AROUND THE GLOBE

Talk to Us info@avprojets.com +1.410.573.1515

Connect with Us LINKEDIN FACEBOOK TWITTER INSTAGRAM



AVPROJETS.COM
info@avprojets.com

900 Bestgate Road Suite 412 Annapolis, MD 21401
+1.410.573.1515

Eddie Kilkeary III
ekilkeary@avprojets.com