

2016 Embraer ^{SN} 50500381

Phenom 300



AVPRO INC.
www.avprojets.com

EXECUTIVE SALES DIRECTOR

Herbie Kane
hkan@avprojets.com
+1.410.573.1515

2016 Phenom 300 SN 50500381 N60NF

Aircraft Listing Details:

Total Hours: 2220

Total Landings: 1488

Engines: Pratt & Whitney PW535E

	#1	#2
Total Hours:	2220	2220
Engine Cycles:	1488	1488
Serial Numbers:	PCE-DG0760	PCE-DG0759

Aircraft Highlights:

- One US Owner Since New
- Engines on 100% JSSI
- Design Weight Increase
- To Be Delivered w/Embraer PPE & End-of-Lease Inspections
- Inspections To Begin Early January, Embraer Melbourne, Florida
- WAAS/GPS
- Synthetic Vision System
- Part 135 Compliant

Avionics:

- Garmin G3000 Integrated Flight Deck
- Controller-to-Pilot Data Link Communication (CPDLC)
- Synthetic Vision System (SVS)
- Distance Measuring Equipment (DME)
- Traffic Collision Avoidance System II (TCAS II 7.1)
- Dual Mode S / ADS-B Out Transponders
w/Diversity (TCAS II Compliant)
- Reactive Windshear
- Radio Altimeter
- HF & SELCAL
- Class A TAWS
- Flight Data Recorder (FDR)
- Emergency Locator Transmitter w/Nav

SPECIFICATIONS ARE PROVIDED FOR INFORMATIONAL PURPOSES ONLY AND DO NOT CONSTITUTE REPRESENTATIONS OR WARRANTIES. THESE SPECIFICATIONS ARE SUBJECT TO BUYER'S INDEPENDENT VERIFICATION UPON INSPECTION.
THE AIRCRAFT IS SUBJECT TO PRIOR SALE, LEASE AND/OR REMOVAL FROM THE MARKET WITHOUT PRIOR NOTICE. JANUARY 5, 2023 1:39 PM

2016 Phenom 300 SN 50500381 N60NF

Connectivity:

- In-Flight Satcom Direct Phone & Datalink
-

Entertainment:

- In-Flight Entertainment (Best Value Package)
-

Maintenance Programs:

- Engines on 100% JSSI
 - CAMP Maintenance Tracking Program
-

Features / Options:

- Design Weight Increase (MTOW, MZFW & MLW)
- Premium Passenger Door
- Synthetic Vision System
- WAAS/GPS
- Part 135 Compliant
- Concorde Batteries
- Life Vests
- Smoke Goggles
- 77 Cu. Ft. Oxygen Bottle
- Heated Baggage Compartment
- Hot Jug (RH Refreshment Center)
- Cockpit Flood Lights
- Cockpit Seat Sheepskin Covers
- Sun Shade / Sun Visor
- Additional Power Outlets

Inspection Status:

Inspections Begin Early January, Embraer Melbourne, Florida

- Delivers w/Embraer PPE & End-Of-Lease Inspections
-

Interior:

Well-appointed interior offers seating for up to eight (8) passengers.

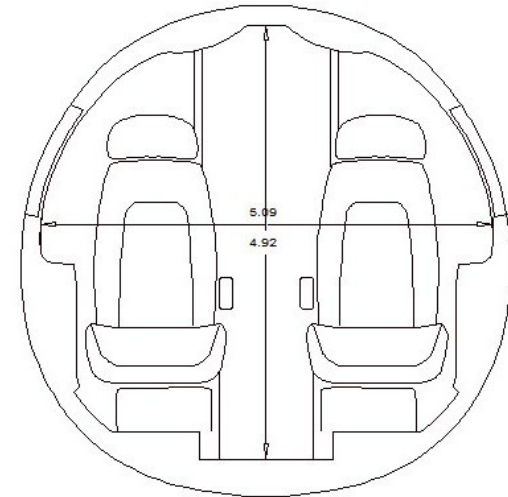
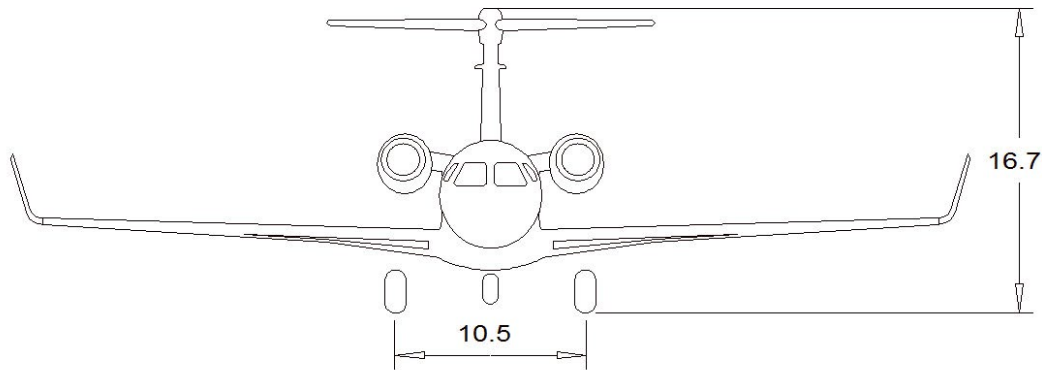
The forward cabin features a RH Refreshment Center followed by a single (1) aft facing chair, a mid-cabin four (4) place club and two (2) forward facing chairs located in the aft cabin. Aft lavatory is belted to accommodate an eighth passenger. Cabin amenities include high gloss Natural Wood veneer, brushed silver colored plating and light tan colored seating.

Exterior:

Overall White w/Custom Silver, Dark Blue & Black Striping.

SPECIFICATIONS ARE PROVIDED FOR INFORMATIONAL PURPOSES ONLY AND DO NOT CONSTITUTE REPRESENTATIONS OR WARRANTIES. THESE SPECIFICATIONS ARE SUBJECT TO BUYER'S INDEPENDENT VERIFICATION UPON INSPECTION.
THE AIRCRAFT IS SUBJECT TO PRIOR SALE, LEASE AND/OR REMOVAL FROM THE MARKET WITHOUT PRIOR NOTICE. JANUARY 5, 2023 1:39 PM

2016 Phenom 300 SN 50500381 N60NF



SPECIFICATIONS ARE PROVIDED FOR INFORMATIONAL PURPOSES ONLY AND DO NOT CONSTITUTE REPRESENTATIONS OR WARRANTIES. THESE SPECIFICATIONS ARE SUBJECT TO BUYER'S INDEPENDENT VERIFICATION UPON INSPECTION.
THE AIRCRAFT IS SUBJECT TO PRIOR SALE, LEASE AND/OR REMOVAL FROM THE MARKET WITHOUT PRIOR NOTICE. JANUARY 5, 2023 1:39 PM

2016 Phenom 300 SN 50500381 N60NF



SPECIFICATIONS ARE PROVIDED FOR INFORMATIONAL PURPOSES ONLY AND DO NOT CONSTITUTE REPRESENTATIONS OR WARRANTIES. THESE SPECIFICATIONS ARE SUBJECT TO BUYER'S INDEPENDENT VERIFICATION UPON INSPECTION.
THE AIRCRAFT IS SUBJECT TO PRIOR SALE, LEASE AND/OR REMOVAL FROM THE MARKET WITHOUT PRIOR NOTICE. JANUARY 5, 2023 1:39 PM

AVPROJETS.COM
info@avprojets.com

900 Bestgate Road Suite 412 Annapolis, MD 21401
+1.410.573.1515

Herbie Kane
hkane@avprojets.com

2016 Phenom 300 SN 50500381 N60NF



SPECIFICATIONS ARE PROVIDED FOR INFORMATIONAL PURPOSES ONLY AND DO NOT CONSTITUTE REPRESENTATIONS OR WARRANTIES. THESE SPECIFICATIONS ARE SUBJECT TO BUYER'S INDEPENDENT VERIFICATION UPON INSPECTION.
THE AIRCRAFT IS SUBJECT TO PRIOR SALE, LEASE AND/OR REMOVAL FROM THE MARKET WITHOUT PRIOR NOTICE. JANUARY 5, 2023 1:39 PM

AVPROJETS.COM
info@avprojets.com

900 Bestgate Road Suite 412 Annapolis, MD 21401
+1.410.573.1515

Herbie Kane
hkane@avprojets.com

2016 Phenom 300 SN 50500381 N60NF



SPECIFICATIONS ARE PROVIDED FOR INFORMATIONAL PURPOSES ONLY AND DO NOT CONSTITUTE REPRESENTATIONS OR WARRANTIES. THESE SPECIFICATIONS ARE SUBJECT TO BUYER'S INDEPENDENT VERIFICATION UPON INSPECTION.
THE AIRCRAFT IS SUBJECT TO PRIOR SALE, LEASE AND/OR REMOVAL FROM THE MARKET WITHOUT PRIOR NOTICE. JANUARY 5, 2023 1:39 PM

AVPROJETS.COM
info@avprojets.com

900 Bestgate Road Suite 412 Annapolis, MD 21401
+1.410.573.1515

Herbie Kane
hkane@avprojets.com

2016 Phenom 300 SN 50500381 N60NF



SPECIFICATIONS ARE PROVIDED FOR INFORMATIONAL PURPOSES ONLY AND DO NOT CONSTITUTE REPRESENTATIONS OR WARRANTIES. THESE SPECIFICATIONS ARE SUBJECT TO BUYER'S INDEPENDENT VERIFICATION UPON INSPECTION.
THE AIRCRAFT IS SUBJECT TO PRIOR SALE, LEASE AND/OR REMOVAL FROM THE MARKET WITHOUT PRIOR NOTICE. JANUARY 5, 2023 1:39 PM

AVPROJETS.COM
info@avprojets.com

900 Bestgate Road Suite 412 Annapolis, MD 21401
+1.410.573.1515

Herbie Kane
hkane@avprojets.com



SPECIFICATIONS ARE PROVIDED FOR INFORMATIONAL PURPOSES ONLY AND DO NOT CONSTITUTE REPRESENTATIONS OR WARRANTIES. THESE SPECIFICATIONS ARE SUBJECT TO BUYER'S INDEPENDENT VERIFICATION UPON INSPECTION.
THE AIRCRAFT IS SUBJECT TO PRIOR SALE, LEASE AND/OR REMOVAL FROM THE MARKET WITHOUT PRIOR NOTICE. JANUARY 5, 2023 1:39 PM

2016 Phenom 300 SN 50500381 N60NF



SPECIFICATIONS ARE PROVIDED FOR INFORMATIONAL PURPOSES ONLY AND DO NOT CONSTITUTE REPRESENTATIONS OR WARRANTIES. THESE SPECIFICATIONS ARE SUBJECT TO BUYER'S INDEPENDENT VERIFICATION UPON INSPECTION.
THE AIRCRAFT IS SUBJECT TO PRIOR SALE, LEASE AND/OR REMOVAL FROM THE MARKET WITHOUT PRIOR NOTICE. JANUARY 5, 2023 1:39 PM

AVPROJETS.COM
info@avprojets.com

900 Bestgate Road Suite 412 Annapolis, MD 21401
+1.410.573.1515

Herbie Kane
hkane@avprojets.com



SPECIFICATIONS ARE PROVIDED FOR INFORMATIONAL PURPOSES ONLY AND DO NOT CONSTITUTE REPRESENTATIONS OR WARRANTIES. THESE SPECIFICATIONS ARE SUBJECT TO BUYER'S INDEPENDENT VERIFICATION UPON INSPECTION.
THE AIRCRAFT IS SUBJECT TO PRIOR SALE, LEASE AND/OR REMOVAL FROM THE MARKET WITHOUT PRIOR NOTICE. JANUARY 5, 2023 1:39 PM



SPECIFICATIONS ARE PROVIDED FOR INFORMATIONAL PURPOSES ONLY AND DO NOT CONSTITUTE REPRESENTATIONS OR WARRANTIES. THESE SPECIFICATIONS ARE SUBJECT TO BUYER'S INDEPENDENT VERIFICATION UPON INSPECTION.
THE AIRCRAFT IS SUBJECT TO PRIOR SALE, LEASE AND/OR REMOVAL FROM THE MARKET WITHOUT PRIOR NOTICE. JANUARY 5, 2023 1:39 PM



AVPRO INC.

CELEBRATING OVER **30** YEARS OF EXCELLENCE

We perform for our clients, averaging two transactions a week.

We match aircraft to your specifications in a professional and timely manner, allowing you to concentrate on your business, leaving the important details of marketing, market research, negotiating and contracting to us.

Avpro offers aircraft financing advisory services. We have the expertise to navigate the appropriate structure, costs and terms to help you meet your objectives. We are ready to provide advice, analysis and sourcing of the lender best suited to meet your requirements.

SERVING CUSTOMERS
AROUND THE GLOBE

Talk to Us info@avprojets.com +1.410.573.1515

Connect with Us LINKEDIN FACEBOOK TWITTER INSTAGRAM



AVPROJETS.COM
info@avprojets.com

900 Bestgate Road Suite 412 Annapolis, MD 21401
+1.410.573.1515

Herbie Kane
hkane@avprojets.com