

2018 Dassault SN 339

# Falcon 2000LXS



CLICK TO VIEW  
VIRTUAL TOUR



**AVPRO** INC.  
www.avprojets.com

EXECUTIVE SALES DIRECTOR

**Mike Caruso**  
mcaruso@avprojets.com  
+1.410.573.1515

## 2018 Falcon 2000LXS SN 339 N339NJ

---

### Aircraft Listing Details:

Total Hours: 694  
Total Landings: 442

---

### Engines: Pratt & Whitney PW308C

	#1	#2
Total Hours:	694	694
Engine Cycles:	442	442
Serial Numbers:	PCE-CF0795	PCE-CF0798

---

### APU: Honeywell GTCP 36-150 (F2M)

Total Hours: 457  
Serial Number: P-750

---

### Aircraft Highlights:

- US Registered & Based in Richmond, Virginia
- Very Low Airframe Hours – 69% below fleet average (VRef)
- Remaining Factory Warranties
- Beautiful Cosmetics in Excellent Condition
- Preferred 10 Passenger Interior Configuration
- Engines on ESP Platinum, APU on MSP Gold

### Loaded Optional Equipment

- FalconEye Combined Vision System (HUD + EVS + SVS)
- JetWave KA Band Satcom – Wiring Provisions
- Aircell Gogo AVANCE L5 Satcom / Wi-Fi / Entertainment
- EASy II Cert 4 Upgrade
- CPDLC with FANS-1/A
- Enhanced Nav with SBAS / LPV
- 88 Parameter FDR Upgrade

### Avionics:

- Honeywell Primus EPIC EASy II Avionics Suite
- Honeywell EASy II Cert 4 Upgrade
- Honeywell EASy Flight Display w/4 LCD Units+Cursor Control Devices
- Honeywell EASy Flight Control System with Auto Throttle
- Honeywell EASy Communication Management Function (CMF)
- Honeywell Data Acquisition & Central Maintenance Computer
- FalconEye Combined Vision System (HUD + EVS + SVS)
- Elbit Head-up Guidance System (HGS) + Elbit Head-up Synthetic Vision System (SVS)
- Elbit Enhanced Vision System (EVS) + Combined Vision System (CVS)
- Honeywell GP-600 Autopilot / Flight Director
- Triple Honeywell TR-866B VHF Communication Radios (COMM)
- Dual Honeywell NV-875B Navigation Radios (NAV)
- Dual Honeywell DF-855 Automatic Direction Finder (ADF)
- Dual Honeywell DM-855 Distance Measuring Equipment (DME)
- Dual Honeywell AZ-200 Air Data Computer (ADC)
- Dual Honeywell MAU-920 Modular Avionics Unit (MAU)
- Dual Honeywell XS-857A Transponders
- Dual Honeywell EASy II Flight Management Systems (FMS)
- Dual Honeywell EASy II GPS
- Dual Honeywell Laseref V Inertial Reference Systems (IRS)
- Triple Honeywell AV-900 Audio System
- Dual Rockwell Collins HF-9034A HF Comms w/SELCAL
- Honeywell Primus 880 Weather Radar
- Honeywell RT-300 Radar Altimeter
- Honeywell EASy EGPWS w/Windshear
- ACCS TCAS 3000 w/Change 7.1
- Honeywell SS Cockpit Voice Recorder (CVR)
- Honeywell SS Flight Data Recorder (FDR) w/ 88 Parameter Upgrade
- ADT-406 ELTA
- CTS Quick Access Recorder (QAR)
- Honeywell LSS-860 Lightning Sensor System
- SIRS Standby Magnetic Compass

SPECIFICATIONS ARE PROVIDED FOR INFORMATIONAL PURPOSES ONLY AND DO NOT CONSTITUTE REPRESENTATIONS OR WARRANTIES. THESE SPECIFICATIONS ARE SUBJECT TO BUYER'S INDEPENDENT VERIFICATION UPON INSPECTION.

THE AIRCRAFT IS SUBJECT TO PRIOR SALE, LEASE AND/OR REMOVAL FROM THE MARKET WITHOUT PRIOR NOTICE. FEBRUARY 27, 2023 6:22 PM

## 2018 Falcon 2000LXS SN 339 N339NJ

### Connectivity:

- Aircell Gogo AVANCE L5 Satcom / Wi-Fi / Entertainment
- Aircell Axxess II 2-Channel Iridium Satcom
- JetWave KA Band Satcom- Wiring Provisions

### Entertainment:

- Rockwell Collins Falcon Cabin HD+
- Rockwell Collins 3D Interactive Maps
- Forward & Aft 22" Bulkhead Monitors
- Two (2) 10.5" Individual Monitors for Side Ledge Plug-In
- Two (2) Plug-In Receptacles Throughout the Cabin
- HDMI Interface / USB Charging Port
- Dual Rockwell Collins Blu-Ray Players
- Ten (10) Bose Noise Cancelling Headsets
- Nine (9) 115 Volt AC Power Outlets Throughout the Cabin

### Maintenance Programs:

- Engines on Pratt & Whitney ESP Platinum
- APU on Honeywell MSP Gold
- CAMP Maintenance Tracking Program

### Manufacturer Warranties:

	Start Date	End Date	Hours
Components & Accessories	Dec '21	Nov '23	5,000
FalconAdvantage	Feb '21	Nov '23	N/A
Non Primary Structural Parts	Dec '21	Nov '23	5,000
Opt. Equipment (incl. Avionics)	Dec '21	Nov '23	5,000
Primary Structural Parts	Dec '21	Nov '28	10,000
Standard Avionics	Dec '21	Nov '23	5,000
Windshields	Dec '21	Nov '23	5,000

### Inspection Status:

Inspection	Complied With	Next Due
12 Mo / 800 hrs	Nov 2022	Oct 2023
24 Mo / 1600 hrs	Nov 2022	Oct 2024
36 Mo / 2400 hrs	Oct 2021	Oct 2024
12 Month	Nov 2022	Oct 2023
24 Month	Nov 2022	Oct 2024
36 Month	Oct 2021	Oct 2024
1B (1600 hrs)	N/A	1,600 hrs
2B (3200 hrs)	N/A	3,200 hrs
1C (72 Mo / 3,750 Idgs)	N/A	Aug 2024
2C (144 Mo / 7,500 Idgs)	N/A	Aug 2030

### EASy II Next Gen Upgrades:

- Enhanced Avionics System, EASy II 4th Cert (SB F2000EX-451)
- Enhanced Nav with SBAS-LPV (SB F2000EX-301)
- ADS-B Out (SB F2000EX-302)
- SmartView Synthetic Vision System – SVS (SB F2000EX-303)
- CPDLC with FANS 1/A (SB F2000EX-308 & -309)
- VDR 3 Module Capable of VDL Mode 2 (SB F2000EX-310)

### Weights:

Gross.....	43,000 lbs.
Max Take Off .....	42,800 lbs.
Max Landing.....	39,300 lbs.
Max Zero Fuel .....	29,700 lbs.
Max Fuel .....	16,600 lbs.
Basic Operating.....	25,158 lbs.

SPECIFICATIONS ARE PROVIDED FOR INFORMATIONAL PURPOSES ONLY AND DO NOT CONSTITUTE REPRESENTATIONS OR WARRANTIES. THESE SPECIFICATIONS ARE SUBJECT TO BUYER'S INDEPENDENT VERIFICATION UPON INSPECTION.

THE AIRCRAFT IS SUBJECT TO PRIOR SALE, LEASE AND/OR REMOVAL FROM THE MARKET WITHOUT PRIOR NOTICE. FEBRUARY 27, 2023 6:22 PM

## 2018 Falcon 2000LXS SN 339 N339NJ

---

### Features/Options:

- Dual CMC CMA-1310 Electronic Flight Bags
- Galley Sliding Pocket Door
- Enflite High Temperature Oven
- TIA Wavejet Microwave Oven
- Nespresso Maker
- iPad Mounts in Cockpit
- ERDA 3<sup>rd</sup> Flight Deck Seat
- Two (2) Winslow 9-Person Life Rafts w/ 406 ELT
- Ten (10) Passenger Life Vests
- Two (2) EROS Convertible O2 Masks w/ Smoke Goggles
- Enlarged Oxygen Bottle (116.9 Cu Ft)
- Goodrich Ice Detection System
- Defibrillator
- External Serviceable Water System
- SAFT 405CH10 Nicad Battery
- Remote Cabin Temperature Control
- Cockpit Sun Visors
- Medeco Locks (Baggage Door)

### Interior:

Stunning interior in the preferred ten (10) passenger configuration, featuring a four-place club arrangement in the forward cabin, followed by a four-place conference/dining group with an oversized table opposite a two-place club in the aft cabin.

The interior is completed in luxurious earth tones with chairs in beige leather & contrasting seat backs and complimenting lower sidewalls and carpet. Interior finishes include medium toned cabinetry in a matte finish, accented with tasteful brushed nickel colored plating throughout.

The forward galley is optioned with a left-hand crew closet and is fully equipped. A full-size galley pocket door separates the cabin for improved privacy and a quieter environment. The fully enclosed, private lavatory is in the aft cabin with an electric flushing toilet that is serviced externally. The spacious baggage compartment is accessible in-flight through a door in the back of the lav. A 3<sup>rd</sup> crew member seat completes the flight deck.

Galley amenities include a forward 46" galley with a Nespresso maker, microwave oven, high temp oven, ice chest and ample storage throughout.

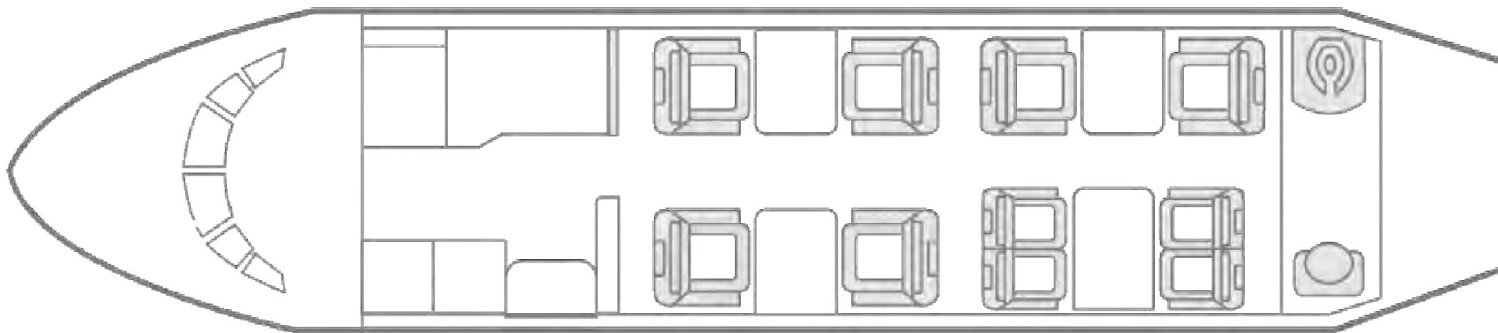
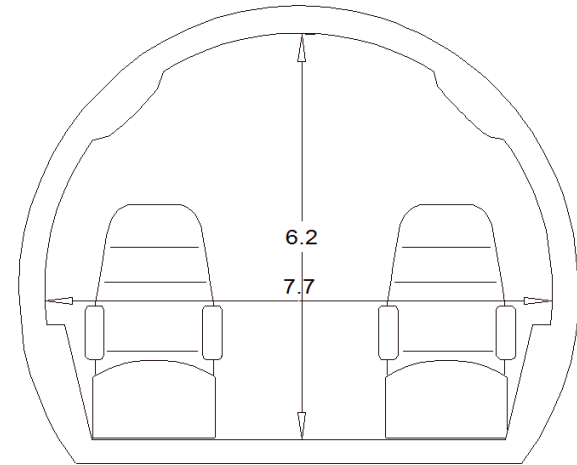
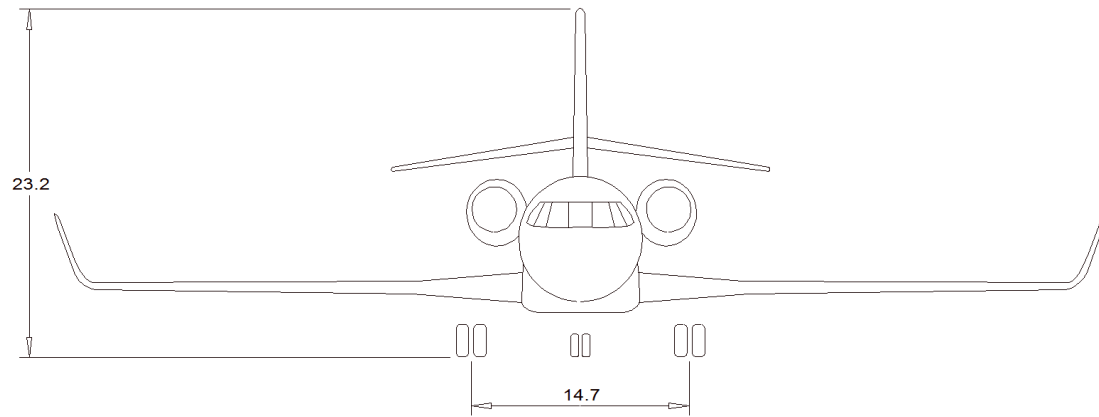
### Exterior:

Overall Matterhorn White with Sunfast Red & Medium Silver Accent Striping.

---

SPECIFICATIONS ARE PROVIDED FOR INFORMATIONAL PURPOSES ONLY AND DO NOT CONSTITUTE REPRESENTATIONS OR WARRANTIES. THESE SPECIFICATIONS ARE SUBJECT TO BUYER'S INDEPENDENT VERIFICATION UPON INSPECTION.  
THE AIRCRAFT IS SUBJECT TO PRIOR SALE, LEASE AND/OR REMOVAL FROM THE MARKET WITHOUT PRIOR NOTICE. FEBRUARY 27, 2023 6:22 PM

# 2018 Falcon 2000LXS SN 339 N339NJ



SPECIFICATIONS ARE PROVIDED FOR INFORMATIONAL PURPOSES ONLY AND DO NOT CONSTITUTE REPRESENTATIONS OR WARRANTIES. THESE SPECIFICATIONS ARE SUBJECT TO BUYER'S INDEPENDENT VERIFICATION UPON INSPECTION.  
THE AIRCRAFT IS SUBJECT TO PRIOR SALE, LEASE AND/OR REMOVAL FROM THE MARKET WITHOUT PRIOR NOTICE. FEBRUARY 27, 2023 6:22 PM



2018 Falcon 2000LXS SN 339 N339NJ

---



SPECIFICATIONS ARE PROVIDED FOR INFORMATIONAL PURPOSES ONLY AND DO NOT CONSTITUTE REPRESENTATIONS OR WARRANTIES. THESE SPECIFICATIONS ARE SUBJECT TO BUYER'S INDEPENDENT VERIFICATION UPON INSPECTION.  
THE AIRCRAFT IS SUBJECT TO PRIOR SALE, LEASE AND/OR REMOVAL FROM THE MARKET WITHOUT PRIOR NOTICE. FEBRUARY 27, 2023 6:22 PM

**AVPROJETS.COM**  
info@avprojets.com

900 Bestgate Road Suite 412 Annapolis, MD 21401  
+1.410.573.1515

**Mike Caruso**  
mcaruso@avprojets.com

2018 Falcon 2000LXS SN 339 N339NJ

---



SPECIFICATIONS ARE PROVIDED FOR INFORMATIONAL PURPOSES ONLY AND DO NOT CONSTITUTE REPRESENTATIONS OR WARRANTIES. THESE SPECIFICATIONS ARE SUBJECT TO BUYER'S INDEPENDENT VERIFICATION UPON INSPECTION.  
THE AIRCRAFT IS SUBJECT TO PRIOR SALE, LEASE AND/OR REMOVAL FROM THE MARKET WITHOUT PRIOR NOTICE. FEBRUARY 27, 2023 6:22 PM

**AVPROJETS.COM**  
info@avprojets.com

900 Bestgate Road Suite 412 Annapolis, MD 21401  
+1.410.573.1515

**Mike Caruso**  
mcaruso@avprojets.com

2018 Falcon 2000LXS SN 339 N339NJ

---



SPECIFICATIONS ARE PROVIDED FOR INFORMATIONAL PURPOSES ONLY AND DO NOT CONSTITUTE REPRESENTATIONS OR WARRANTIES. THESE SPECIFICATIONS ARE SUBJECT TO BUYER'S INDEPENDENT VERIFICATION UPON INSPECTION.  
THE AIRCRAFT IS SUBJECT TO PRIOR SALE, LEASE AND/OR REMOVAL FROM THE MARKET WITHOUT PRIOR NOTICE. FEBRUARY 27, 2023 6:22 PM

**AVPROJETS.COM**  
info@avprojets.com

900 Bestgate Road Suite 412 Annapolis, MD 21401  
+1.410.573.1515

**Mike Caruso**  
mcaruso@avprojets.com



2018 Falcon 2000LXS SN 339 N339NJ

---



SPECIFICATIONS ARE PROVIDED FOR INFORMATIONAL PURPOSES ONLY AND DO NOT CONSTITUTE REPRESENTATIONS OR WARRANTIES. THESE SPECIFICATIONS ARE SUBJECT TO BUYER'S INDEPENDENT VERIFICATION UPON INSPECTION.  
THE AIRCRAFT IS SUBJECT TO PRIOR SALE, LEASE AND/OR REMOVAL FROM THE MARKET WITHOUT PRIOR NOTICE. FEBRUARY 27, 2023 6:22 PM

**AVPROJETS.COM**  
info@avprojets.com

900 Bestgate Road Suite 412 Annapolis, MD 21401  
+1.410.573.1515

**Mike Caruso**  
mcaruso@avprojets.com

2018 Falcon 2000LXS SN 339 N339NJ

---



SPECIFICATIONS ARE PROVIDED FOR INFORMATIONAL PURPOSES ONLY AND DO NOT CONSTITUTE REPRESENTATIONS OR WARRANTIES. THESE SPECIFICATIONS ARE SUBJECT TO BUYER'S INDEPENDENT VERIFICATION UPON INSPECTION.  
THE AIRCRAFT IS SUBJECT TO PRIOR SALE, LEASE AND/OR REMOVAL FROM THE MARKET WITHOUT PRIOR NOTICE. FEBRUARY 27, 2023 6:22 PM

**AVPROJETS.COM**  
info@avprojets.com

900 Bestgate Road Suite 412 Annapolis, MD 21401  
+1.410.573.1515

**Mike Caruso**  
mcaruso@avprojets.com



2018 Falcon 2000LXS SN 339 N339NJ

---



SPECIFICATIONS ARE PROVIDED FOR INFORMATIONAL PURPOSES ONLY AND DO NOT CONSTITUTE REPRESENTATIONS OR WARRANTIES. THESE SPECIFICATIONS ARE SUBJECT TO BUYER'S INDEPENDENT VERIFICATION UPON INSPECTION.  
THE AIRCRAFT IS SUBJECT TO PRIOR SALE, LEASE AND/OR REMOVAL FROM THE MARKET WITHOUT PRIOR NOTICE. FEBRUARY 27, 2023 6:22 PM

**AVPROJETS.COM**  
info@avprojets.com

900 Bestgate Road Suite 412 Annapolis, MD 21401  
+1.410.573.1515

**Mike Caruso**  
mcaruso@avprojets.com

2018 Falcon 2000LXS SN 339 N339NJ



SPECIFICATIONS ARE PROVIDED FOR INFORMATIONAL PURPOSES ONLY AND DO NOT CONSTITUTE REPRESENTATIONS OR WARRANTIES. THESE SPECIFICATIONS ARE SUBJECT TO BUYER'S INDEPENDENT VERIFICATION UPON INSPECTION.  
THE AIRCRAFT IS SUBJECT TO PRIOR SALE, LEASE AND/OR REMOVAL FROM THE MARKET WITHOUT PRIOR NOTICE. FEBRUARY 27, 2023 6:22 PM

**AVPROJETS.COM**  
info@avprojets.com

900 Bestgate Road Suite 412 Annapolis, MD 21401  
+1.410.573.1515

**Mike Caruso**  
mcaruso@avprojets.com



2018 Falcon 2000LXS SN 339 N339NJ

---



SPECIFICATIONS ARE PROVIDED FOR INFORMATIONAL PURPOSES ONLY AND DO NOT CONSTITUTE REPRESENTATIONS OR WARRANTIES. THESE SPECIFICATIONS ARE SUBJECT TO BUYER'S INDEPENDENT VERIFICATION UPON INSPECTION.  
THE AIRCRAFT IS SUBJECT TO PRIOR SALE, LEASE AND/OR REMOVAL FROM THE MARKET WITHOUT PRIOR NOTICE. FEBRUARY 27, 2023 6:22 PM

**AVPROJETS.COM**  
info@avprojets.com

900 Bestgate Road Suite 412 Annapolis, MD 21401  
+1.410.573.1515

**Mike Caruso**  
mcaruso@avprojets.com

2018 Falcon 2000LXS SN 339 N339NJ

---



SPECIFICATIONS ARE PROVIDED FOR INFORMATIONAL PURPOSES ONLY AND DO NOT CONSTITUTE REPRESENTATIONS OR WARRANTIES. THESE SPECIFICATIONS ARE SUBJECT TO BUYER'S INDEPENDENT VERIFICATION UPON INSPECTION.  
THE AIRCRAFT IS SUBJECT TO PRIOR SALE, LEASE AND/OR REMOVAL FROM THE MARKET WITHOUT PRIOR NOTICE. FEBRUARY 27, 2023 6:22 PM

**AVPROJETS.COM**  
info@avprojets.com

900 Bestgate Road Suite 412 Annapolis, MD 21401  
+1.410.573.1515

**Mike Caruso**  
mcaruso@avprojets.com



2018 Falcon 2000LXS SN 339 N339NJ



SPECIFICATIONS ARE PROVIDED FOR INFORMATIONAL PURPOSES ONLY AND DO NOT CONSTITUTE REPRESENTATIONS OR WARRANTIES. THESE SPECIFICATIONS ARE SUBJECT TO BUYER'S INDEPENDENT VERIFICATION UPON INSPECTION.  
THE AIRCRAFT IS SUBJECT TO PRIOR SALE, LEASE AND/OR REMOVAL FROM THE MARKET WITHOUT PRIOR NOTICE. FEBRUARY 27, 2023 6:22 PM

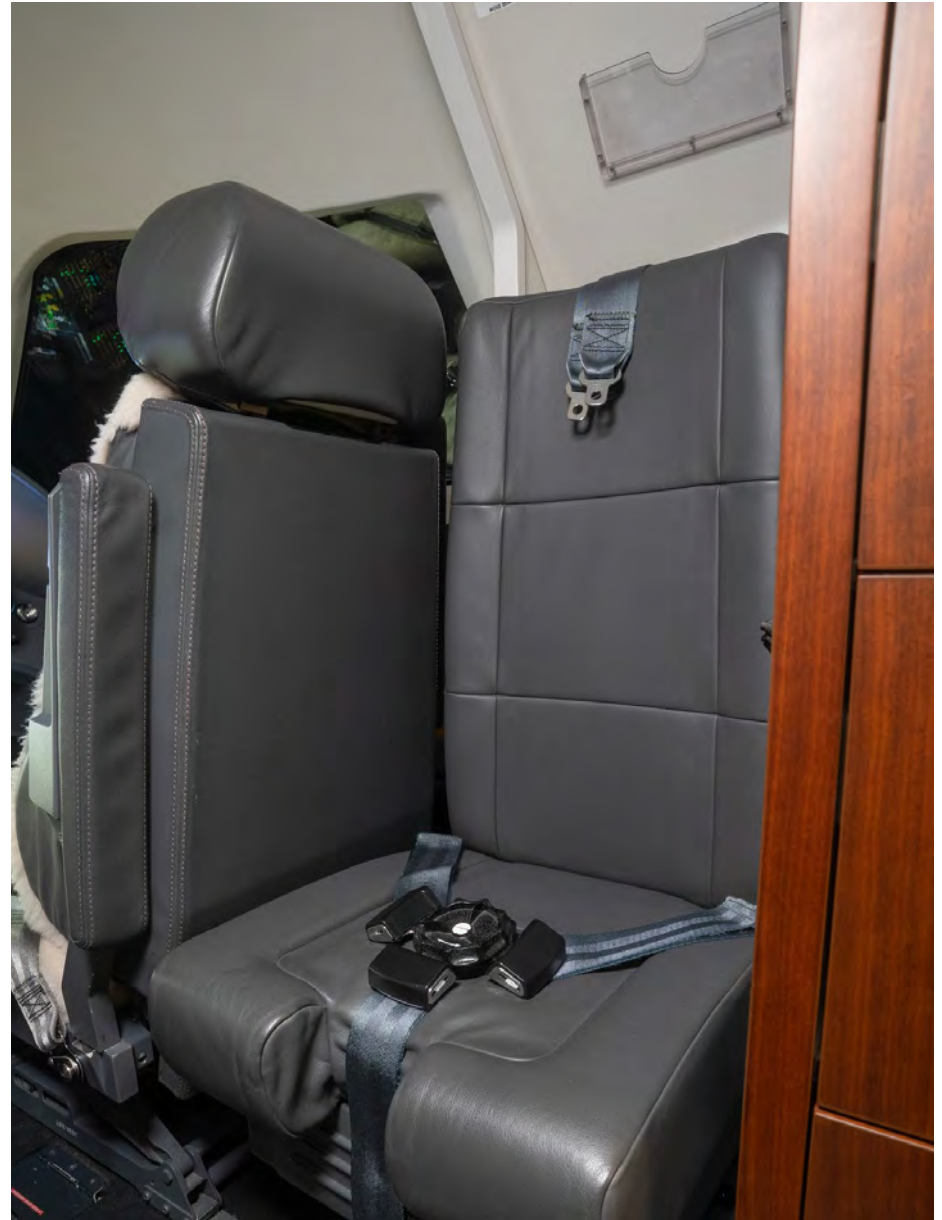
**AVPROJETS.COM**  
info@avprojets.com

900 Bestgate Road Suite 412 Annapolis, MD 21401  
+1.410.573.1515

**Mike Caruso**  
mcaruso@avprojets.com



2018 Falcon 2000LXS SN 339 N339NJ



SPECIFICATIONS ARE PROVIDED FOR INFORMATIONAL PURPOSES ONLY AND DO NOT CONSTITUTE REPRESENTATIONS OR WARRANTIES. THESE SPECIFICATIONS ARE SUBJECT TO BUYER'S INDEPENDENT VERIFICATION UPON INSPECTION.  
THE AIRCRAFT IS SUBJECT TO PRIOR SALE, LEASE AND/OR REMOVAL FROM THE MARKET WITHOUT PRIOR NOTICE. FEBRUARY 27, 2023 6:22 PM

**AVPROJETS.COM**  
info@avprojets.com

900 Bestgate Road Suite 412 Annapolis, MD 21401  
+1.410.573.1515

**Mike Caruso**  
mcaruso@avprojets.com



2018 Falcon 2000LXS SN 339 N339NJ



SPECIFICATIONS ARE PROVIDED FOR INFORMATIONAL PURPOSES ONLY AND DO NOT CONSTITUTE REPRESENTATIONS OR WARRANTIES. THESE SPECIFICATIONS ARE SUBJECT TO BUYER'S INDEPENDENT VERIFICATION UPON INSPECTION.  
THE AIRCRAFT IS SUBJECT TO PRIOR SALE, LEASE AND/OR REMOVAL FROM THE MARKET WITHOUT PRIOR NOTICE. FEBRUARY 27, 2023 6:22 PM

**AVPROJETS.COM**  
info@avprojets.com

900 Bestgate Road Suite 412 Annapolis, MD 21401  
+1.410.573.1515

**Mike Caruso**  
mcaruso@avprojets.com



# 2018 Falcon 2000LXS SN 339 N339NJ



SPECIFICATIONS ARE PROVIDED FOR INFORMATIONAL PURPOSES ONLY AND DO NOT CONSTITUTE REPRESENTATIONS OR WARRANTIES. THESE SPECIFICATIONS ARE SUBJECT TO BUYER'S INDEPENDENT VERIFICATION UPON INSPECTION. THE AIRCRAFT IS SUBJECT TO PRIOR SALE, LEASE AND/OR REMOVAL FROM THE MARKET WITHOUT PRIOR NOTICE. FEBRUARY 27, 2023 6:22 PM

**AVPROJETS.COM**  
info@avprojets.com

900 Bestgate Road Suite 412 Annapolis, MD 21401  
+1.410.573.1515

**Mike Caruso**  
mcaruso@avprojets.com



2018 Falcon 2000LXS SN 339 N339NJ



SPECIFICATIONS ARE PROVIDED FOR INFORMATIONAL PURPOSES ONLY AND DO NOT CONSTITUTE REPRESENTATIONS OR WARRANTIES. THESE SPECIFICATIONS ARE SUBJECT TO BUYER'S INDEPENDENT VERIFICATION UPON INSPECTION.  
THE AIRCRAFT IS SUBJECT TO PRIOR SALE, LEASE AND/OR REMOVAL FROM THE MARKET WITHOUT PRIOR NOTICE. FEBRUARY 27, 2023 6:22 PM

**AVPROJETS.COM**  
info@avprojets.com

900 Bestgate Road Suite 412 Annapolis, MD 21401  
+1.410.573.1515

**Mike Caruso**  
mcaruso@avprojets.com



2018 Falcon 2000LXS SN 339 N339NJ



SPECIFICATIONS ARE PROVIDED FOR INFORMATIONAL PURPOSES ONLY AND DO NOT CONSTITUTE REPRESENTATIONS OR WARRANTIES. THESE SPECIFICATIONS ARE SUBJECT TO BUYER'S INDEPENDENT VERIFICATION UPON INSPECTION. THE AIRCRAFT IS SUBJECT TO PRIOR SALE, LEASE AND/OR REMOVAL FROM THE MARKET WITHOUT PRIOR NOTICE. FEBRUARY 27, 2023 6:22 PM



2018 Falcon 2000LXS SN 339 N339NJ



SPECIFICATIONS ARE PROVIDED FOR INFORMATIONAL PURPOSES ONLY AND DO NOT CONSTITUTE REPRESENTATIONS OR WARRANTIES. THESE SPECIFICATIONS ARE SUBJECT TO BUYER'S INDEPENDENT VERIFICATION UPON INSPECTION.  
THE AIRCRAFT IS SUBJECT TO PRIOR SALE, LEASE AND/OR REMOVAL FROM THE MARKET WITHOUT PRIOR NOTICE. FEBRUARY 27, 2023 6:22 PM

**AVPROJETS.COM**  
info@avprojets.com

900 Bestgate Road Suite 412 Annapolis, MD 21401  
+1.410.573.1515

**Mike Caruso**  
mcaruso@avprojets.com



2018 Falcon 2000LXS SN 339 N339NJ



SPECIFICATIONS ARE PROVIDED FOR INFORMATIONAL PURPOSES ONLY AND DO NOT CONSTITUTE REPRESENTATIONS OR WARRANTIES. THESE SPECIFICATIONS ARE SUBJECT TO BUYER'S INDEPENDENT VERIFICATION UPON INSPECTION.  
THE AIRCRAFT IS SUBJECT TO PRIOR SALE, LEASE AND/OR REMOVAL FROM THE MARKET WITHOUT PRIOR NOTICE. FEBRUARY 27, 2023 6:22 PM

**AVPROJETS.COM**  
info@avprojets.com

900 Bestgate Road Suite 412 Annapolis, MD 21401  
+1.410.573.1515

**Mike Caruso**  
mcaruso@avprojets.com



2018 Falcon 2000LXS SN 339 N339NJ



SPECIFICATIONS ARE PROVIDED FOR INFORMATIONAL PURPOSES ONLY AND DO NOT CONSTITUTE REPRESENTATIONS OR WARRANTIES. THESE SPECIFICATIONS ARE SUBJECT TO BUYER'S INDEPENDENT VERIFICATION UPON INSPECTION.  
THE AIRCRAFT IS SUBJECT TO PRIOR SALE, LEASE AND/OR REMOVAL FROM THE MARKET WITHOUT PRIOR NOTICE. FEBRUARY 27, 2023 6:22 PM

**AVPROJETS.COM**  
info@avprojets.com

900 Bestgate Road Suite 412 Annapolis, MD 21401  
+1.410.573.1515

**Mike Caruso**  
mcaruso@avprojets.com



2018 Falcon 2000LXS SN 339 N339NJ



SPECIFICATIONS ARE PROVIDED FOR INFORMATIONAL PURPOSES ONLY AND DO NOT CONSTITUTE REPRESENTATIONS OR WARRANTIES. THESE SPECIFICATIONS ARE SUBJECT TO BUYER'S INDEPENDENT VERIFICATION UPON INSPECTION.  
THE AIRCRAFT IS SUBJECT TO PRIOR SALE, LEASE AND/OR REMOVAL FROM THE MARKET WITHOUT PRIOR NOTICE. FEBRUARY 27, 2023 6:22 PM

**AVPROJETS.COM**  
info@avprojets.com

900 Bestgate Road Suite 412 Annapolis, MD 21401  
+1.410.573.1515

**Mike Caruso**  
mcaruso@avprojets.com



2018 Falcon 2000LXS SN 339 N339NJ



SPECIFICATIONS ARE PROVIDED FOR INFORMATIONAL PURPOSES ONLY AND DO NOT CONSTITUTE REPRESENTATIONS OR WARRANTIES. THESE SPECIFICATIONS ARE SUBJECT TO BUYER'S INDEPENDENT VERIFICATION UPON INSPECTION.  
THE AIRCRAFT IS SUBJECT TO PRIOR SALE, LEASE AND/OR REMOVAL FROM THE MARKET WITHOUT PRIOR NOTICE. FEBRUARY 27, 2023 6:22 PM

**AVPROJETS.COM**  
info@avprojets.com

900 Bestgate Road Suite 412 Annapolis, MD 21401  
+1.410.573.1515

**Mike Caruso**  
mcaruso@avprojets.com



2018 Falcon 2000LXS SN 339 N339NJ



SPECIFICATIONS ARE PROVIDED FOR INFORMATIONAL PURPOSES ONLY AND DO NOT CONSTITUTE REPRESENTATIONS OR WARRANTIES. THESE SPECIFICATIONS ARE SUBJECT TO BUYER'S INDEPENDENT VERIFICATION UPON INSPECTION. THE AIRCRAFT IS SUBJECT TO PRIOR SALE, LEASE AND/OR REMOVAL FROM THE MARKET WITHOUT PRIOR NOTICE. FEBRUARY 27, 2023 6:22 PM

**AVPROJETS.COM**  
info@avprojets.com

900 Bestgate Road Suite 412 Annapolis, MD 21401  
+1.410.573.1515

**Mike Caruso**  
mcaruso@avprojets.com



2018 Falcon 2000LXS SN 339 N339NJ



SPECIFICATIONS ARE PROVIDED FOR INFORMATIONAL PURPOSES ONLY AND DO NOT CONSTITUTE REPRESENTATIONS OR WARRANTIES. THESE SPECIFICATIONS ARE SUBJECT TO BUYER'S INDEPENDENT VERIFICATION UPON INSPECTION.  
THE AIRCRAFT IS SUBJECT TO PRIOR SALE, LEASE AND/OR REMOVAL FROM THE MARKET WITHOUT PRIOR NOTICE. FEBRUARY 27, 2023 6:22 PM

**AVPROJETS.COM**  
info@avprojets.com

900 Bestgate Road Suite 412 Annapolis, MD 21401  
+1.410.573.1515

**Mike Caruso**  
mcaruso@avprojets.com



2018 Falcon 2000LXS SN 339 N339NJ



SPECIFICATIONS ARE PROVIDED FOR INFORMATIONAL PURPOSES ONLY AND DO NOT CONSTITUTE REPRESENTATIONS OR WARRANTIES. THESE SPECIFICATIONS ARE SUBJECT TO BUYER'S INDEPENDENT VERIFICATION UPON INSPECTION.  
THE AIRCRAFT IS SUBJECT TO PRIOR SALE, LEASE AND/OR REMOVAL FROM THE MARKET WITHOUT PRIOR NOTICE. FEBRUARY 27, 2023 6:22 PM

**AVPROJETS.COM**  
info@avprojets.com

900 Bestgate Road Suite 412 Annapolis, MD 21401  
+1.410.573.1515

**Mike Caruso**  
mcaruso@avprojets.com



2018 Falcon 2000LXS SN 339 N339NJ



SPECIFICATIONS ARE PROVIDED FOR INFORMATIONAL PURPOSES ONLY AND DO NOT CONSTITUTE REPRESENTATIONS OR WARRANTIES. THESE SPECIFICATIONS ARE SUBJECT TO BUYER'S INDEPENDENT VERIFICATION UPON INSPECTION.  
THE AIRCRAFT IS SUBJECT TO PRIOR SALE, LEASE AND/OR REMOVAL FROM THE MARKET WITHOUT PRIOR NOTICE. FEBRUARY 27, 2023 6:22 PM

**AVPROJETS.COM**  
info@avprojets.com

900 Bestgate Road Suite 412 Annapolis, MD 21401  
+1.410.573.1515

**Mike Caruso**  
mcaruso@avprojets.com



2018 Falcon 2000LXS SN 339 N339NJ



SPECIFICATIONS ARE PROVIDED FOR INFORMATIONAL PURPOSES ONLY AND DO NOT CONSTITUTE REPRESENTATIONS OR WARRANTIES. THESE SPECIFICATIONS ARE SUBJECT TO BUYER'S INDEPENDENT VERIFICATION UPON INSPECTION.  
THE AIRCRAFT IS SUBJECT TO PRIOR SALE, LEASE AND/OR REMOVAL FROM THE MARKET WITHOUT PRIOR NOTICE. FEBRUARY 27, 2023 6:22 PM

**AVPROJETS.COM**  
info@avprojets.com

900 Bestgate Road Suite 412 Annapolis, MD 21401  
+1.410.573.1515

**Mike Caruso**  
mcaruso@avprojets.com



2018 Falcon 2000LXS SN 339 N339NJ



SPECIFICATIONS ARE PROVIDED FOR INFORMATIONAL PURPOSES ONLY AND DO NOT CONSTITUTE REPRESENTATIONS OR WARRANTIES. THESE SPECIFICATIONS ARE SUBJECT TO BUYER'S INDEPENDENT VERIFICATION UPON INSPECTION. THE AIRCRAFT IS SUBJECT TO PRIOR SALE, LEASE AND/OR REMOVAL FROM THE MARKET WITHOUT PRIOR NOTICE. FEBRUARY 27, 2023 6:22 PM

**AVPROJETS.COM**  
info@avprojets.com

900 Bestgate Road Suite 412 Annapolis, MD 21401  
+1.410.573.1515

**Mike Caruso**  
mcaruso@avprojets.com





SPECIFICATIONS ARE PROVIDED FOR INFORMATIONAL PURPOSES ONLY AND DO NOT CONSTITUTE REPRESENTATIONS OR WARRANTIES. THESE SPECIFICATIONS ARE SUBJECT TO BUYER'S INDEPENDENT VERIFICATION UPON INSPECTION.  
THE AIRCRAFT IS SUBJECT TO PRIOR SALE, LEASE AND/OR REMOVAL FROM THE MARKET WITHOUT PRIOR NOTICE. FEBRUARY 27, 2023 6:22 PM



**AVPRO** INC.

CELEBRATING OVER **30** YEARS OF EXCELLENCE

We perform for our clients, averaging two transactions a week.

We match aircraft to your specifications in a professional and timely manner, allowing you to concentrate on your business, leaving the important details of marketing, market research, negotiating and contracting to us.

Avpro offers aircraft financing advisory services. We have the expertise to navigate the appropriate structure, costs and terms to help you meet your objectives. We are ready to provide advice, analysis and sourcing of the lender best suited to meet your requirements.

---

SERVING CUSTOMERS  
AROUND THE GLOBE

---

**Talk to Us**      [info@avprojets.com](mailto:info@avprojets.com)      +1.410.573.1515

**Connect with Us**    LINKEDIN    FACEBOOK    TWITTER    INSTAGRAM

