

2009 Bombardier <sup>SN</sup> 60-361  
**Learjet 60XR**



CLICK TO VIEW  
VIRTUAL TOUR



**AVPRO** INC.  
www.avprojets.com

EXECUTIVE SALES DIRECTOR

**Bob Butcher**  
bbutcher@avprojets.com  
+1.410.573.1515

# 2009 Learjet 60XR SN 361 N61WG

---

## Aircraft Listing Details:

Total Hours: 2835  
Total Landings: 1981

---

## Engines: Pratt & Whitney PW305A

	#1	#2
Total Hours:	2835	2814
Engine Cycles:	1982	1968
Serial Numbers:	PCECA0582	PCECA0581

## APU: Hamilton Sundstrand T-20G-10C3A

Total Hours: 952  
Serial Number: SP-E080491

---

## Aircraft Highlights:

- Low Total Time
- New Paint & Interior 2022
- L3 AVANCE Wi-Fi
- FANS-1A & CPDLC
- WAAS, LPV
- Flight Data Recorder
- XM Weather
- Engines Enrolled on ESP Gold
- APU Enrolled on JSSI
- 12 Year Airframe Inspection c/w May 2021

## Avionics:

- Collins ProLine 21 EFIS
- Dual IFIS
- Collins DBU-5010E USB Data Loader
- Dual Collins VHF-422C Comms w/8.33 Spacing
- Dual Collins VIR-432 Navs w/FM Immunity
- Dual Collins ADF-462 ADFs
- Dual Collins DME-442 DMEs
- Dual Collins TDR-94D Transponder
- Dual Collins FMS-5000 Flight Management System
- Dual Collins GPS-4000A
- Dual Collins ADC-850D Air Data Computers
- Dual Collins RTU-4220 Radio Tuning Units
- Dual Collins AHC-3000 Attitude Heading Computers
- XM Graphical Weather
- Collins ALT-4000 Radio Altimeter
- Dual Honeywell HF-1050 HF Radios w/SELCAL
- Collins TTR-4000 TCAS II w/Change 7.1
- Honeywell Mark V EGPWS w/Windshear
- L3 FA-2100 Flight Data Recorder
- Artex 406 ELT

---

SPECIFICATIONS ARE PROVIDED FOR INFORMATIONAL PURPOSES ONLY AND DO NOT CONSTITUTE REPRESENTATIONS OR WARRANTIES. THESE SPECIFICATIONS ARE SUBJECT TO BUYER'S INDEPENDENT VERIFICATION UPON INSPECTION.  
THE AIRCRAFT IS SUBJECT TO PRIOR SALE, LEASE AND/OR REMOVAL FROM THE MARKET WITHOUT PRIOR NOTICE. MARCH 7, 2023 11:25 AM

# 2009 Learjet 60XR SN 361 N61WG

---

## Connectivity:

- Dual SATPhone w/Wireless Cockpit & Cabin Handsets
  - Wi-Fi L3 Advanced Wi-Fi
- 

## Entertainment:

- Airshow 400 In-Flight Information System
  - CD Changer and Single DVD Player
  - Forward & Aft Bulkhead Mounted 15" LCD Monitors
- 

## Maintenance Programs:

- Engines Enrolled on ESP Gold
- APU Enrolled on JSSI
- CMP Tracking Program

## Inspection Status:

- 12 Year Airframe Inspection c/w May 2021
- 

## Navigation Compliance:

- ADS-B Out
  - CPDLC / FANS 1A
  - WAAS / LPV
  - TCAS TTR-4000 w/Change 7.1
- 

## Weights:

MTOW.....23,500 lbs.

Fuel Capacity .....7,910 lbs.

---

SPECIFICATIONS ARE PROVIDED FOR INFORMATIONAL PURPOSES ONLY AND DO NOT CONSTITUTE REPRESENTATIONS OR WARRANTIES. THESE SPECIFICATIONS ARE SUBJECT TO BUYER'S INDEPENDENT VERIFICATION UPON INSPECTION.  
THE AIRCRAFT IS SUBJECT TO PRIOR SALE, LEASE AND/OR REMOVAL FROM THE MARKET WITHOUT PRIOR NOTICE. MARCH 7, 2023 11:25 AM

## 2009 Learjet 60XR SN 361 N61WG

---

### Features/Options:

- Paperless Cockpit/Charts
- Thrust Reverser Voice Command Warning System
- Collins DBU-5010E USB Data Loader
- Pedestal Mounted Hobbs Meter
- Tail Illumination Package
- Illuminated Chart Holders
- LoPresti Boom Beam Recognition Lights
- 110V AC Outlets
- Portable Breathing Equipment
- Med-Aire First Aid Kit
- Microwave

### Interior: (2022 Interior Refurbishment)

Eight (8) passenger configuration featuring a forward galley opposite a three (3) place divan followed by a four (4) place club with pull out tables. Aft belted lavatory for eighth passenger.

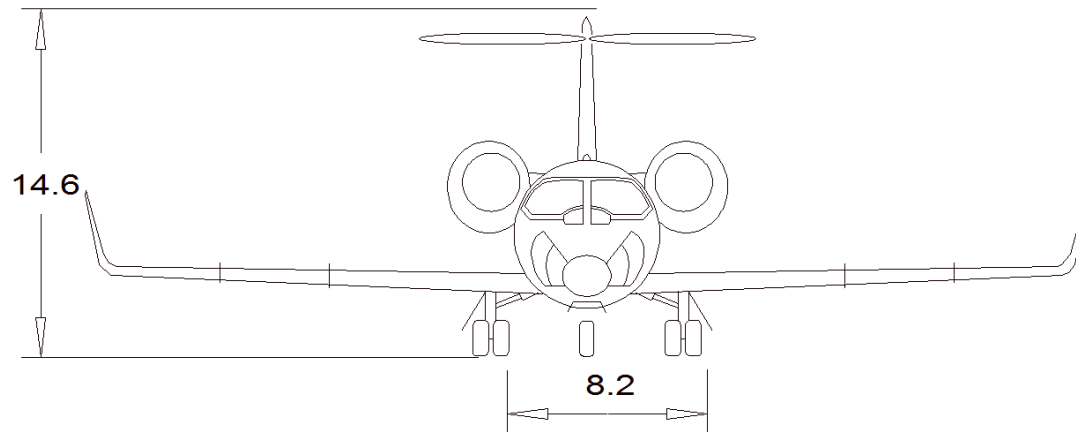
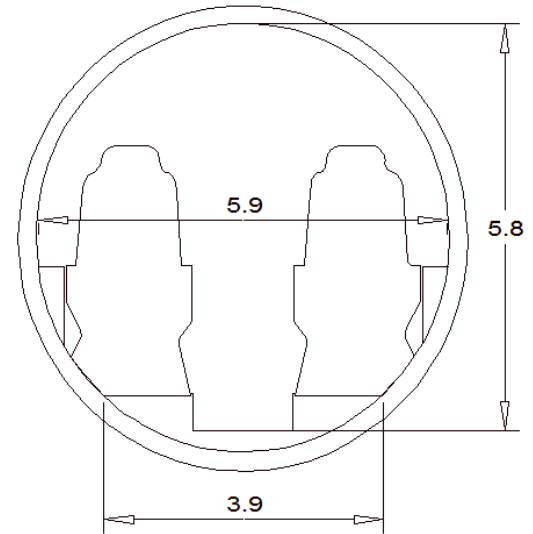
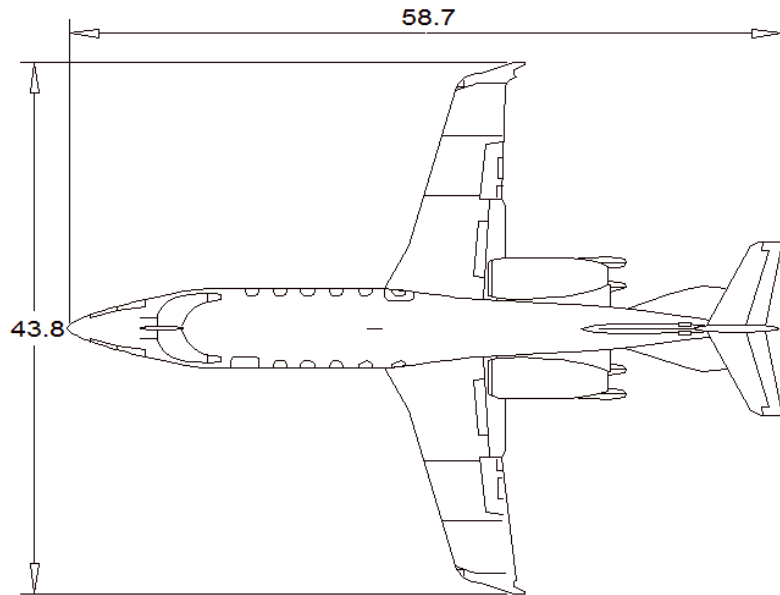
### Exterior: (2022 Paint)

Overall White with Black & Medium Gray Accent Striping.



SPECIFICATIONS ARE PROVIDED FOR INFORMATIONAL PURPOSES ONLY AND DO NOT CONSTITUTE REPRESENTATIONS OR WARRANTIES. THESE SPECIFICATIONS ARE SUBJECT TO BUYER'S INDEPENDENT VERIFICATION UPON INSPECTION.  
THE AIRCRAFT IS SUBJECT TO PRIOR SALE, LEASE AND/OR REMOVAL FROM THE MARKET WITHOUT PRIOR NOTICE. MARCH 7, 2023 11:25 AM

# 2009 Learjet 60XR SN 361 N61WG



SPECIFICATIONS ARE PROVIDED FOR INFORMATIONAL PURPOSES ONLY AND DO NOT CONSTITUTE REPRESENTATIONS OR WARRANTIES. THESE SPECIFICATIONS ARE SUBJECT TO BUYER'S INDEPENDENT VERIFICATION UPON INSPECTION.  
THE AIRCRAFT IS SUBJECT TO PRIOR SALE, LEASE AND/OR REMOVAL FROM THE MARKET WITHOUT PRIOR NOTICE. MARCH 7, 2023 11:25 AM

## 2009 Learjet 60XR SN 361 N61WG

---



SPECIFICATIONS ARE PROVIDED FOR INFORMATIONAL PURPOSES ONLY AND DO NOT CONSTITUTE REPRESENTATIONS OR WARRANTIES. THESE SPECIFICATIONS ARE SUBJECT TO BUYER'S INDEPENDENT VERIFICATION UPON INSPECTION.  
THE AIRCRAFT IS SUBJECT TO PRIOR SALE, LEASE AND/OR REMOVAL FROM THE MARKET WITHOUT PRIOR NOTICE. MARCH 7, 2023 11:25 AM

**AVPROJETS.COM**  
info@avprojets.com

900 Bestgate Road Suite 412 Annapolis, MD 21401  
+1.410.573.1515

**Bob Butcher**  
bbutcher@avprojets.com

## 2009 Learjet 60XR SN 361 N61WG

---



SPECIFICATIONS ARE PROVIDED FOR INFORMATIONAL PURPOSES ONLY AND DO NOT CONSTITUTE REPRESENTATIONS OR WARRANTIES. THESE SPECIFICATIONS ARE SUBJECT TO BUYER'S INDEPENDENT VERIFICATION UPON INSPECTION.  
THE AIRCRAFT IS SUBJECT TO PRIOR SALE, LEASE AND/OR REMOVAL FROM THE MARKET WITHOUT PRIOR NOTICE. MARCH 7, 2023 11:25 AM

**AVPROJETS.COM**  
info@avprojets.com

900 Bestgate Road Suite 412 Annapolis, MD 21401  
+1.410.573.1515

**Bob Butcher**  
bbutcher@avprojets.com

2009 Learjet 60XR SN 361 N61WG



SPECIFICATIONS ARE PROVIDED FOR INFORMATIONAL PURPOSES ONLY AND DO NOT CONSTITUTE REPRESENTATIONS OR WARRANTIES. THESE SPECIFICATIONS ARE SUBJECT TO BUYER'S INDEPENDENT VERIFICATION UPON INSPECTION.  
THE AIRCRAFT IS SUBJECT TO PRIOR SALE, LEASE AND/OR REMOVAL FROM THE MARKET WITHOUT PRIOR NOTICE. MARCH 7, 2023 11:25 AM

**AVPROJETS.COM**  
info@avprojets.com

900 Bestgate Road Suite 412 Annapolis, MD 21401  
+1.410.573.1515

**Bob Butcher**  
bbutcher@avprojets.com



2009 Learjet 60XR SN 361 N61WG

---



SPECIFICATIONS ARE PROVIDED FOR INFORMATIONAL PURPOSES ONLY AND DO NOT CONSTITUTE REPRESENTATIONS OR WARRANTIES. THESE SPECIFICATIONS ARE SUBJECT TO BUYER'S INDEPENDENT VERIFICATION UPON INSPECTION.  
THE AIRCRAFT IS SUBJECT TO PRIOR SALE, LEASE AND/OR REMOVAL FROM THE MARKET WITHOUT PRIOR NOTICE. MARCH 7, 2023 11:25 AM

**AVPROJETS.COM**  
info@avprojets.com

900 Bestgate Road Suite 412 Annapolis, MD 21401  
+1.410.573.1515

**Bob Butcher**  
bbutcher@avprojets.com

## 2009 Learjet 60XR SN 361 N61WG



SPECIFICATIONS ARE PROVIDED FOR INFORMATIONAL PURPOSES ONLY AND DO NOT CONSTITUTE REPRESENTATIONS OR WARRANTIES. THESE SPECIFICATIONS ARE SUBJECT TO BUYER'S INDEPENDENT VERIFICATION UPON INSPECTION.  
THE AIRCRAFT IS SUBJECT TO PRIOR SALE, LEASE AND/OR REMOVAL FROM THE MARKET WITHOUT PRIOR NOTICE. MARCH 7, 2023 11:25 AM

**AVPROJETS.COM**  
info@avprojets.com

900 Bestgate Road Suite 412 Annapolis, MD 21401  
+1.410.573.1515

**Bob Butcher**  
bbutcher@avprojets.com

# 2009 Learjet 60XR SN 361 N61WG



SPECIFICATIONS ARE PROVIDED FOR INFORMATIONAL PURPOSES ONLY AND DO NOT CONSTITUTE REPRESENTATIONS OR WARRANTIES. THESE SPECIFICATIONS ARE SUBJECT TO BUYER'S INDEPENDENT VERIFICATION UPON INSPECTION.  
THE AIRCRAFT IS SUBJECT TO PRIOR SALE, LEASE AND/OR REMOVAL FROM THE MARKET WITHOUT PRIOR NOTICE. MARCH 7, 2023 11:25 AM

**AVPROJETS.COM**  
info@avprojets.com

900 Bestgate Road Suite 412 Annapolis, MD 21401  
+1.410.573.1515

**Bob Butcher**  
bbutcher@avprojets.com

2009 Learjet 60XR SN 361 N61WG



SPECIFICATIONS ARE PROVIDED FOR INFORMATIONAL PURPOSES ONLY AND DO NOT CONSTITUTE REPRESENTATIONS OR WARRANTIES. THESE SPECIFICATIONS ARE SUBJECT TO BUYER'S INDEPENDENT VERIFICATION UPON INSPECTION.  
THE AIRCRAFT IS SUBJECT TO PRIOR SALE, LEASE AND/OR REMOVAL FROM THE MARKET WITHOUT PRIOR NOTICE. MARCH 7, 2023 11:25 AM

**AVPROJETS.COM**  
info@avprojets.com

900 Bestgate Road Suite 412 Annapolis, MD 21401  
+1.410.573.1515

**Bob Butcher**  
bbutcher@avprojets.com

## 2009 Learjet 60XR SN 361 N61WG



SPECIFICATIONS ARE PROVIDED FOR INFORMATIONAL PURPOSES ONLY AND DO NOT CONSTITUTE REPRESENTATIONS OR WARRANTIES. THESE SPECIFICATIONS ARE SUBJECT TO BUYER'S INDEPENDENT VERIFICATION UPON INSPECTION.  
THE AIRCRAFT IS SUBJECT TO PRIOR SALE, LEASE AND/OR REMOVAL FROM THE MARKET WITHOUT PRIOR NOTICE. MARCH 7, 2023 11:25 AM

**AVPROJETS.COM**  
info@avprojets.com

900 Bestgate Road Suite 412 Annapolis, MD 21401  
+1.410.573.1515

**Bob Butcher**  
bbutcher@avprojets.com

2009 Learjet 60XR SN 361 N61WG



SPECIFICATIONS ARE PROVIDED FOR INFORMATIONAL PURPOSES ONLY AND DO NOT CONSTITUTE REPRESENTATIONS OR WARRANTIES. THESE SPECIFICATIONS ARE SUBJECT TO BUYER'S INDEPENDENT VERIFICATION UPON INSPECTION.  
THE AIRCRAFT IS SUBJECT TO PRIOR SALE, LEASE AND/OR REMOVAL FROM THE MARKET WITHOUT PRIOR NOTICE. MARCH 7, 2023 11:25 AM

**AVPROJETS.COM**  
info@avprojets.com

900 Bestgate Road Suite 412 Annapolis, MD 21401  
+1.410.573.1515

**Bob Butcher**  
bbutcher@avprojets.com

2009 Learjet 60XR SN 361 N61WG



SPECIFICATIONS ARE PROVIDED FOR INFORMATIONAL PURPOSES ONLY AND DO NOT CONSTITUTE REPRESENTATIONS OR WARRANTIES. THESE SPECIFICATIONS ARE SUBJECT TO BUYER'S INDEPENDENT VERIFICATION UPON INSPECTION. THE AIRCRAFT IS SUBJECT TO PRIOR SALE, LEASE AND/OR REMOVAL FROM THE MARKET WITHOUT PRIOR NOTICE. MARCH 7, 2023 11:25 AM

2009 Learjet 60XR SN 361 N61WG



SPECIFICATIONS ARE PROVIDED FOR INFORMATIONAL PURPOSES ONLY AND DO NOT CONSTITUTE REPRESENTATIONS OR WARRANTIES. THESE SPECIFICATIONS ARE SUBJECT TO BUYER'S INDEPENDENT VERIFICATION UPON INSPECTION.  
THE AIRCRAFT IS SUBJECT TO PRIOR SALE, LEASE AND/OR REMOVAL FROM THE MARKET WITHOUT PRIOR NOTICE. MARCH 7, 2023 11:25 AM

**AVPROJETS.COM**  
info@avprojets.com

900 Bestgate Road Suite 412 Annapolis, MD 21401  
+1.410.573.1515

**Bob Butcher**  
bbutcher@avprojets.com



# 2009 Learjet 60XR SN 361 N61WG



SPECIFICATIONS ARE PROVIDED FOR INFORMATIONAL PURPOSES ONLY AND DO NOT CONSTITUTE REPRESENTATIONS OR WARRANTIES. THESE SPECIFICATIONS ARE SUBJECT TO BUYER'S INDEPENDENT VERIFICATION UPON INSPECTION. THE AIRCRAFT IS SUBJECT TO PRIOR SALE, LEASE AND/OR REMOVAL FROM THE MARKET WITHOUT PRIOR NOTICE. MARCH 7, 2023 11:25 AM

**AVPROJETS.COM**  
info@avprojets.com

900 Bestgate Road Suite 412 Annapolis, MD 21401  
+1.410.573.1515

**Bob Butcher**  
bbutcher@avprojets.com

## 2009 Learjet 60XR SN 361 N61WG



SPECIFICATIONS ARE PROVIDED FOR INFORMATIONAL PURPOSES ONLY AND DO NOT CONSTITUTE REPRESENTATIONS OR WARRANTIES. THESE SPECIFICATIONS ARE SUBJECT TO BUYER'S INDEPENDENT VERIFICATION UPON INSPECTION.  
THE AIRCRAFT IS SUBJECT TO PRIOR SALE, LEASE AND/OR REMOVAL FROM THE MARKET WITHOUT PRIOR NOTICE. MARCH 7, 2023 11:25 AM

**AVPROJETS.COM**  
info@avprojets.com

900 Bestgate Road Suite 412 Annapolis, MD 21401  
+1.410.573.1515

**Bob Butcher**  
bbutcher@avprojets.com

## 2009 Learjet 60XR SN 361 N61WG



SPECIFICATIONS ARE PROVIDED FOR INFORMATIONAL PURPOSES ONLY AND DO NOT CONSTITUTE REPRESENTATIONS OR WARRANTIES. THESE SPECIFICATIONS ARE SUBJECT TO BUYER'S INDEPENDENT VERIFICATION UPON INSPECTION.  
THE AIRCRAFT IS SUBJECT TO PRIOR SALE, LEASE AND/OR REMOVAL FROM THE MARKET WITHOUT PRIOR NOTICE. MARCH 7, 2023 11:25 AM

**AVPROJETS.COM**  
info@avprojets.com

900 Bestgate Road Suite 412 Annapolis, MD 21401  
+1.410.573.1515

**Bob Butcher**  
bbutcher@avprojets.com

## 2009 Learjet 60XR SN 361 N61WG



SPECIFICATIONS ARE PROVIDED FOR INFORMATIONAL PURPOSES ONLY AND DO NOT CONSTITUTE REPRESENTATIONS OR WARRANTIES. THESE SPECIFICATIONS ARE SUBJECT TO BUYER'S INDEPENDENT VERIFICATION UPON INSPECTION.  
THE AIRCRAFT IS SUBJECT TO PRIOR SALE, LEASE AND/OR REMOVAL FROM THE MARKET WITHOUT PRIOR NOTICE. MARCH 7, 2023 11:25 AM

**AVPROJETS.COM**  
info@avprojets.com

900 Bestgate Road Suite 412 Annapolis, MD 21401  
+1.410.573.1515

**Bob Butcher**  
bbutcher@avprojets.com

## 2009 Learjet 60XR SN 361 N61WG



SPECIFICATIONS ARE PROVIDED FOR INFORMATIONAL PURPOSES ONLY AND DO NOT CONSTITUTE REPRESENTATIONS OR WARRANTIES. THESE SPECIFICATIONS ARE SUBJECT TO BUYER'S INDEPENDENT VERIFICATION UPON INSPECTION.  
THE AIRCRAFT IS SUBJECT TO PRIOR SALE, LEASE AND/OR REMOVAL FROM THE MARKET WITHOUT PRIOR NOTICE. MARCH 7, 2023 11:25 AM

**AVPROJETS.COM**  
info@avprojets.com

900 Bestgate Road Suite 412 Annapolis, MD 21401  
+1.410.573.1515

**Bob Butcher**  
bbutcher@avprojets.com

## 2009 Learjet 60XR SN 361 N61WG



SPECIFICATIONS ARE PROVIDED FOR INFORMATIONAL PURPOSES ONLY AND DO NOT CONSTITUTE REPRESENTATIONS OR WARRANTIES. THESE SPECIFICATIONS ARE SUBJECT TO BUYER'S INDEPENDENT VERIFICATION UPON INSPECTION.  
THE AIRCRAFT IS SUBJECT TO PRIOR SALE, LEASE AND/OR REMOVAL FROM THE MARKET WITHOUT PRIOR NOTICE. MARCH 7, 2023 11:25 AM

**AVPROJETS.COM**  
info@avprojets.com

900 Bestgate Road Suite 412 Annapolis, MD 21401  
+1.410.573.1515

**Bob Butcher**  
bbutcher@avprojets.com



**AVPRO** INC.

CELEBRATING OVER **30** YEARS OF EXCELLENCE

We perform for our clients, averaging two transactions a week.

We match aircraft to your specifications in a professional and timely manner, allowing you to concentrate on your business, leaving the important details of marketing, market research, negotiating and contracting to us.

Avpro offers aircraft financing advisory services. We have the expertise to navigate the appropriate structure, costs and terms to help you meet your objectives. We are ready to provide advice, analysis and sourcing of the lender best suited to meet your requirements.

---

SERVING CUSTOMERS  
AROUND THE GLOBE

---

**Talk to Us**      [info@avprojets.com](mailto:info@avprojets.com)      +1.410.573.1515

**Connect with Us**    LINKEDIN    FACEBOOK    TWITTER    INSTAGRAM

