

2019 Bombardier SN 9831

Global 6000



CLICK TO VIEW
VIRTUAL TOUR



AVPRO INC.
www.avprojets.com

MANAGING PARTNER

Bob Rabbitt
brabbitt@avprojets.com
+1.410.573.1515

2019 Global 6000 SN 9831 N176HS (to be retained by Owner)

Aircraft Listing Details:

Total Hours: 1562
Total Landings: 755

Engines: Rolls Royce BR710A2-20

	#1	#2
Total Hours:	1562	1562
Engine Cycles:	755	755
Serial Numbers:	22787	22788

APU: Honeywell RE-220 (GX)

Total Hours: 1440

Aircraft Highlights:

- Transferrable Manufacturer Warranties
- Thirteen (13) Pax, Forward Galley & Crew Rest Configuration
- HUD / EVS / Synthetic Vision System
- Bombardier WAVE KA-Band Internet
- Rockwell Collins Venue Cabin Management System
- Engines on Rolls Royce Corporate Care
- Part 135 Operated & Certified

Avionics:

- Global Vision Flight Deck
- Collins ProLine Fusion
- Dual Collins AFCS Autopilot / Flight Director
- Synthetic Vision System SVM-6110H (SVS)
- Enhanced Vision System (EVS)
- Head Up Display (HUD)
- Triple Collins VHF-4000 Comms w/8.33 Spacing
- Dual Collins NAV-4000 Navs
- Dual Collins NAV-4000 ADFs
- Dual Collins DME-4000 DMEs
- Triple Collins ADC-3020 Air Data Computers
- Collins TDR-94D; Collins TSS-4100 Transponders
- Triple Collins Flight Management System (FMS)
- Dual Collins GPS-4000S
- Triple Honeywell Laseref VI Inertial Reference System (IRS)
- Collins HF-9031A HFs
- Collins RTA-41118 Weather Radar
- Collins ALT-4000 Radar Altimeter
- Collins TPM-6000 Enhanced GPWS
- Collins TCAS II w/Change 7.1
- L3 Communications FA2100 Flight Data Recorder
- L3 Communications FA-2100 Cockpit Voice Recorder
- 750 Hour Quick Access Recorder
- Artex 406 ELT

SPECIFICATIONS ARE PROVIDED FOR INFORMATIONAL PURPOSES ONLY AND DO NOT CONSTITUTE REPRESENTATIONS OR WARRANTIES. THESE SPECIFICATIONS ARE SUBJECT TO BUYER'S INDEPENDENT VERIFICATION UPON INSPECTION.
THE AIRCRAFT IS SUBJECT TO PRIOR SALE, LEASE AND/OR REMOVAL FROM THE MARKET WITHOUT PRIOR NOTICE. MARCH 23, 2023 5:02 PM

2019 Global 6000 SN 9831 N176HS (to be retained by Owner)

Connectivity:

- Bombardier WAVE KA-Band Internet
 - High Speed Data/Wi-Fi
 - Collins SAT-2200 w/(2) Corded & (3) Cordless Handsets
 - WLAN Printer/Copier/Scanner
-

Entertainment:

- Rockwell Collins Venue Cabin Management System
 - Airshow 3.0
 - Dual 24" HD monitors
 - Dual Disc Blu-ray/CD/DVD/MP3 Player
 - Three (3) Plug-In Tablet Holders
 - Ten (10) High Quality Speakers, Four (4) Subwoofers
 - Dual HDMI Ports
 - Dual Bluetooth Wireless Audio Receivers
 - Five (5) Wireless Passenger Control Units
-

Maintenance Programs:

- Engines on Rolls Royce Corporate Care
-

Navigation Compliance:

- Synthetic Vision System SVM-6110H (SVS)
- Enhanced Vision System (EVS)
- Head Up Display (HUD)
- CPDLC, FANS-1/A, ADS-B Out
- WAAS/LPV
- TCAS II w/Change 7.1
- 8.33 Channel Spacing
- RVSM Compliant

Interior:

Executive Thirteen (13) Passenger, Forward Galley & Crew Rest

- Forward Crew & Aft VIP Lavatories
- Plush Two-Tone Leather Chairs
- Aft Wardrobe Storage

Zone 1: Galley, Galley Annex, Forward Crew Rest & Lavatory

Zone 2: Four (4) Place Club w/Fold Out Tables

Zone 3: Four (4) Place Conference Opposite a Credenza w/Kibitzer

Zone 4: Three (3) Place 16G Berthable Divan Opposite a Two (2)
Place Club

Galley Amenities

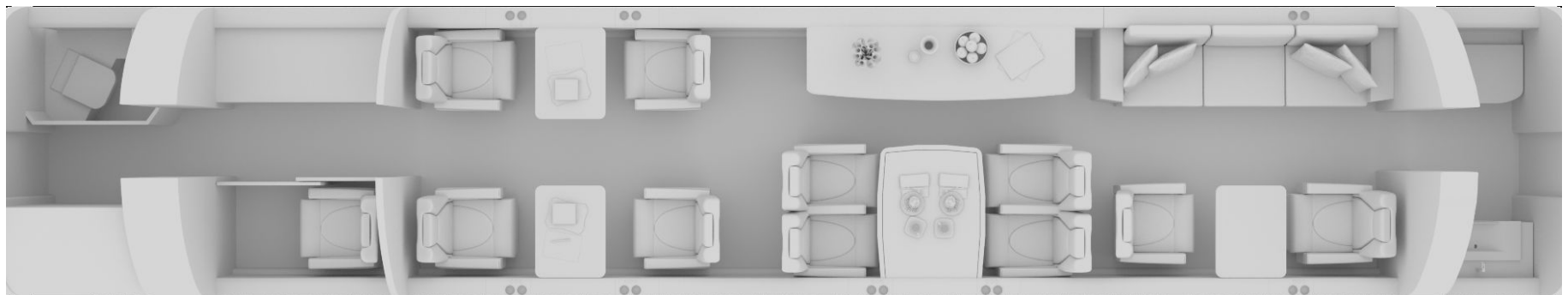
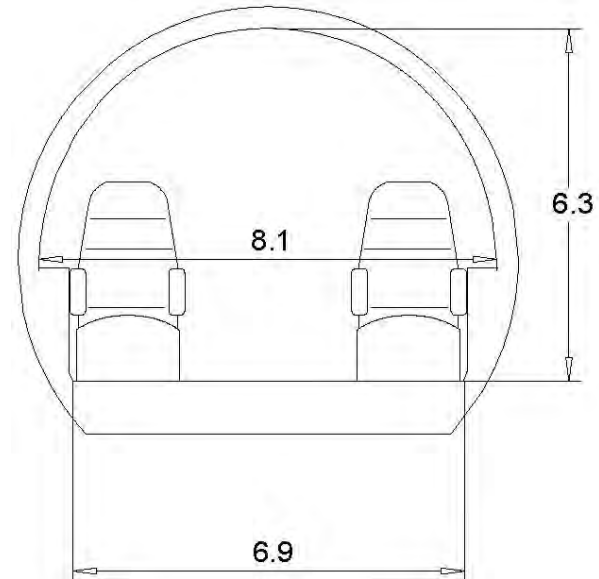
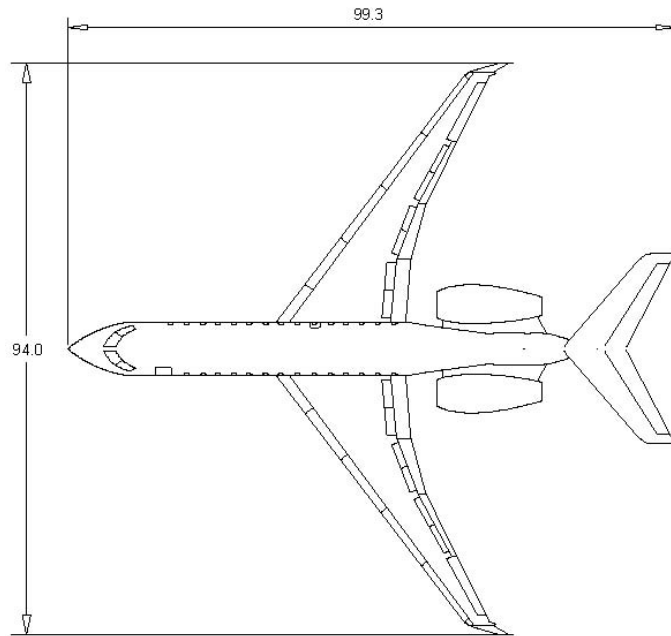
- Galley Annex
 - HD Touch Screen Controller
 - Microwave
 - Hi-Temp Oven
 - Manual Coffee Capsule Machine
 - Air Chiller
 - Ice Drawer
-

Exterior:

Overall White with Light Gray & Black Accent Striping.

SPECIFICATIONS ARE PROVIDED FOR INFORMATIONAL PURPOSES ONLY AND DO NOT CONSTITUTE REPRESENTATIONS OR WARRANTIES. THESE SPECIFICATIONS ARE SUBJECT TO BUYER'S INDEPENDENT VERIFICATION UPON INSPECTION.
THE AIRCRAFT IS SUBJECT TO PRIOR SALE, LEASE AND/OR REMOVAL FROM THE MARKET WITHOUT PRIOR NOTICE. MARCH 23, 2023 5:02 PM

2019 Global 6000 SN 9831 N176HS (to be retained by Owner)



SPECIFICATIONS ARE PROVIDED FOR INFORMATIONAL PURPOSES ONLY AND DO NOT CONSTITUTE REPRESENTATIONS OR WARRANTIES. THESE SPECIFICATIONS ARE SUBJECT TO BUYER'S INDEPENDENT VERIFICATION UPON INSPECTION.
THE AIRCRAFT IS SUBJECT TO PRIOR SALE, LEASE AND/OR REMOVAL FROM THE MARKET WITHOUT PRIOR NOTICE. MARCH 23, 2023 5:02 PM

2019 Global 6000 SN 9831 N176HS (to be retained by Owner)



SPECIFICATIONS ARE PROVIDED FOR INFORMATIONAL PURPOSES ONLY AND DO NOT CONSTITUTE REPRESENTATIONS OR WARRANTIES. THESE SPECIFICATIONS ARE SUBJECT TO BUYER'S INDEPENDENT VERIFICATION UPON INSPECTION.
THE AIRCRAFT IS SUBJECT TO PRIOR SALE, LEASE AND/OR REMOVAL FROM THE MARKET WITHOUT PRIOR NOTICE. MARCH 23, 2023 5:02 PM

AVPROJETS.COM
info@avprojets.com

900 Bestgate Road Suite 412 Annapolis, MD 21401
+1.410.573.1515

Bob Rabbitt
brabbitt@avprojets.com

2019 Global 6000 SN 9831 N176HS (to be retained by Owner)



SPECIFICATIONS ARE PROVIDED FOR INFORMATIONAL PURPOSES ONLY AND DO NOT CONSTITUTE REPRESENTATIONS OR WARRANTIES. THESE SPECIFICATIONS ARE SUBJECT TO BUYER'S INDEPENDENT VERIFICATION UPON INSPECTION.
THE AIRCRAFT IS SUBJECT TO PRIOR SALE, LEASE AND/OR REMOVAL FROM THE MARKET WITHOUT PRIOR NOTICE. MARCH 23, 2023 5:02 PM

AVPROJETS.COM
info@avprojets.com

900 Bestgate Road Suite 412 Annapolis, MD 21401
+1.410.573.1515

Bob Rabbitt
brabbitt@avprojets.com

2019 Global 6000 SN 9831 N176HS (to be retained by Owner)



SPECIFICATIONS ARE PROVIDED FOR INFORMATIONAL PURPOSES ONLY AND DO NOT CONSTITUTE REPRESENTATIONS OR WARRANTIES. THESE SPECIFICATIONS ARE SUBJECT TO BUYER'S INDEPENDENT VERIFICATION UPON INSPECTION.
THE AIRCRAFT IS SUBJECT TO PRIOR SALE, LEASE AND/OR REMOVAL FROM THE MARKET WITHOUT PRIOR NOTICE. MARCH 23, 2023 5:02 PM

AVPROJETS.COM
info@avprojets.com

900 Bestgate Road Suite 412 Annapolis, MD 21401
+1.410.573.1515

Bob Rabbitt
brabbitt@avprojets.com

2019 Global 6000 SN 9831 N176HS (to be retained by Owner)



SPECIFICATIONS ARE PROVIDED FOR INFORMATIONAL PURPOSES ONLY AND DO NOT CONSTITUTE REPRESENTATIONS OR WARRANTIES. THESE SPECIFICATIONS ARE SUBJECT TO BUYER'S INDEPENDENT VERIFICATION UPON INSPECTION.
THE AIRCRAFT IS SUBJECT TO PRIOR SALE, LEASE AND/OR REMOVAL FROM THE MARKET WITHOUT PRIOR NOTICE. MARCH 23, 2023 5:02 PM

AVPROJETS.COM
info@avprojets.com

900 Bestgate Road Suite 412 Annapolis, MD 21401
+1.410.573.1515

Bob Rabbitt
brabbitt@avprojets.com

2019 Global 6000 SN 9831 N176HS *(to be retained by Owner)*



SPECIFICATIONS ARE PROVIDED FOR INFORMATIONAL PURPOSES ONLY AND DO NOT CONSTITUTE REPRESENTATIONS OR WARRANTIES. THESE SPECIFICATIONS ARE SUBJECT TO BUYER'S INDEPENDENT VERIFICATION UPON INSPECTION.
THE AIRCRAFT IS SUBJECT TO PRIOR SALE, LEASE AND/OR REMOVAL FROM THE MARKET WITHOUT PRIOR NOTICE. MARCH 23, 2023 5:02 PM

AVPROJETS.COM
info@avprojets.com

900 Bestgate Road Suite 412 Annapolis, MD 21401
+1.410.573.1515

Bob Rabbitt
brabbitt@avprojets.com

2019 Global 6000 SN 9831 N176HS (to be retained by Owner)



SPECIFICATIONS ARE PROVIDED FOR INFORMATIONAL PURPOSES ONLY AND DO NOT CONSTITUTE REPRESENTATIONS OR WARRANTIES. THESE SPECIFICATIONS ARE SUBJECT TO BUYER'S INDEPENDENT VERIFICATION UPON INSPECTION.
THE AIRCRAFT IS SUBJECT TO PRIOR SALE, LEASE AND/OR REMOVAL FROM THE MARKET WITHOUT PRIOR NOTICE. MARCH 23, 2023 5:02 PM

AVPROJETS.COM
info@avprojets.com

900 Bestgate Road Suite 412 Annapolis, MD 21401
+1.410.573.1515

Bob Rabbitt
brabbitt@avprojets.com

2019 Global 6000 SN 9831 N176HS (to be retained by Owner)



SPECIFICATIONS ARE PROVIDED FOR INFORMATIONAL PURPOSES ONLY AND DO NOT CONSTITUTE REPRESENTATIONS OR WARRANTIES. THESE SPECIFICATIONS ARE SUBJECT TO BUYER'S INDEPENDENT VERIFICATION UPON INSPECTION.
THE AIRCRAFT IS SUBJECT TO PRIOR SALE, LEASE AND/OR REMOVAL FROM THE MARKET WITHOUT PRIOR NOTICE. MARCH 23, 2023 5:02 PM

AVPROJETS.COM
info@avprojets.com

900 Bestgate Road Suite 412 Annapolis, MD 21401
+1.410.573.1515

Bob Rabbitt
brabbitt@avprojets.com

2019 Global 6000 SN 9831 N176HS (to be retained by Owner)



SPECIFICATIONS ARE PROVIDED FOR INFORMATIONAL PURPOSES ONLY AND DO NOT CONSTITUTE REPRESENTATIONS OR WARRANTIES. THESE SPECIFICATIONS ARE SUBJECT TO BUYER'S INDEPENDENT VERIFICATION UPON INSPECTION.
THE AIRCRAFT IS SUBJECT TO PRIOR SALE, LEASE AND/OR REMOVAL FROM THE MARKET WITHOUT PRIOR NOTICE. MARCH 23, 2023 5:02 PM

AVPROJETS.COM
info@avprojets.com

900 Bestgate Road Suite 412 Annapolis, MD 21401
+1.410.573.1515

Bob Rabbitt
brabbitt@avprojets.com

2019 Global 6000 SN 9831 N176HS (to be retained by Owner)



SPECIFICATIONS ARE PROVIDED FOR INFORMATIONAL PURPOSES ONLY AND DO NOT CONSTITUTE REPRESENTATIONS OR WARRANTIES. THESE SPECIFICATIONS ARE SUBJECT TO BUYER'S INDEPENDENT VERIFICATION UPON INSPECTION.
THE AIRCRAFT IS SUBJECT TO PRIOR SALE, LEASE AND/OR REMOVAL FROM THE MARKET WITHOUT PRIOR NOTICE. MARCH 23, 2023 5:02 PM

AVPROJETS.COM
info@avprojets.com

900 Bestgate Road Suite 412 Annapolis, MD 21401
+1.410.573.1515

Bob Rabbitt
brabbitt@avprojets.com

2019 Global 6000 SN 9831 N176HS (to be retained by Owner)



SPECIFICATIONS ARE PROVIDED FOR INFORMATIONAL PURPOSES ONLY AND DO NOT CONSTITUTE REPRESENTATIONS OR WARRANTIES. THESE SPECIFICATIONS ARE SUBJECT TO BUYER'S INDEPENDENT VERIFICATION UPON INSPECTION.
THE AIRCRAFT IS SUBJECT TO PRIOR SALE, LEASE AND/OR REMOVAL FROM THE MARKET WITHOUT PRIOR NOTICE. MARCH 23, 2023 5:02 PM

AVPROJETS.COM
info@avprojets.com

900 Bestgate Road Suite 412 Annapolis, MD 21401
+1.410.573.1515

Bob Rabbitt
brabbitt@avprojets.com

2019 Global 6000 SN 9831 N176HS (to be retained by Owner)



SPECIFICATIONS ARE PROVIDED FOR INFORMATIONAL PURPOSES ONLY AND DO NOT CONSTITUTE REPRESENTATIONS OR WARRANTIES. THESE SPECIFICATIONS ARE SUBJECT TO BUYER'S INDEPENDENT VERIFICATION UPON INSPECTION.
THE AIRCRAFT IS SUBJECT TO PRIOR SALE, LEASE AND/OR REMOVAL FROM THE MARKET WITHOUT PRIOR NOTICE. MARCH 23, 2023 5:02 PM

AVPROJETS.COM
info@avprojets.com

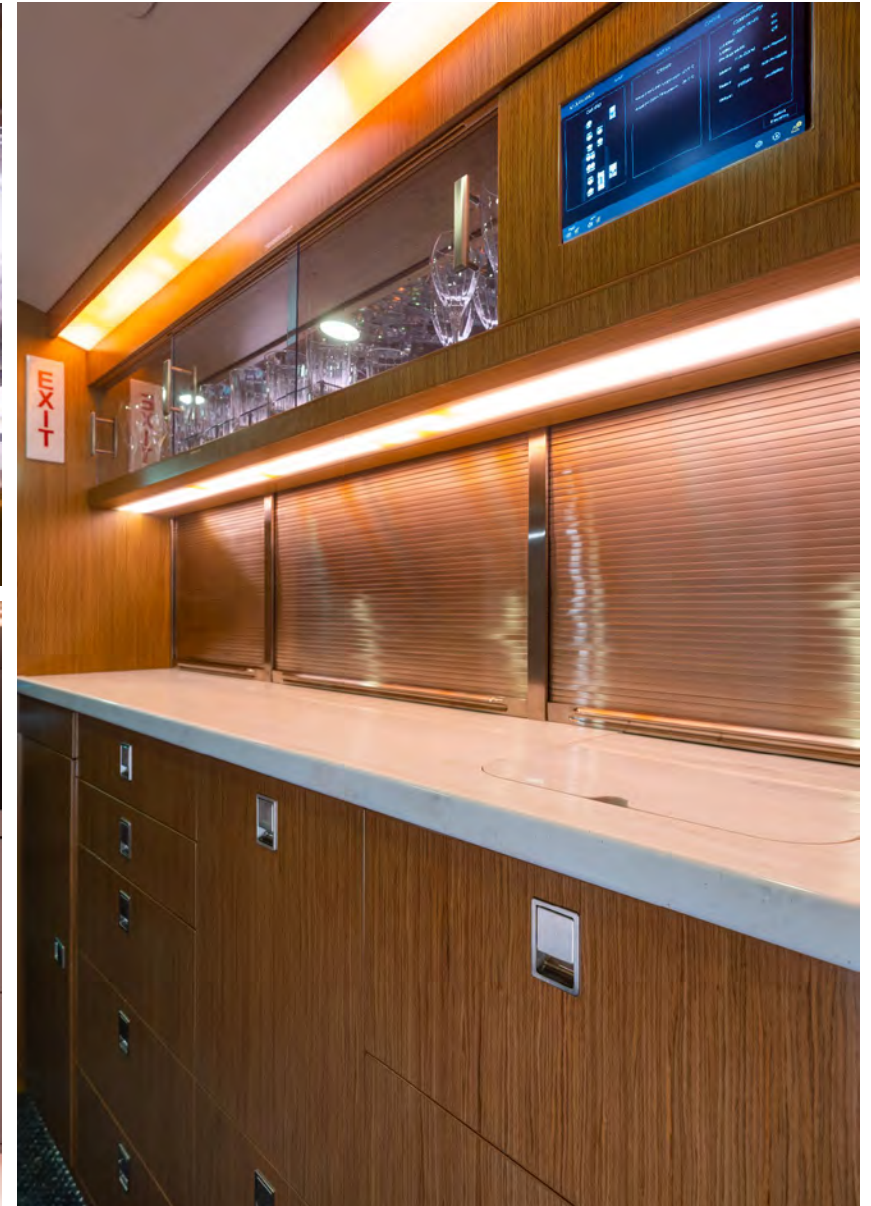
900 Bestgate Road Suite 412 Annapolis, MD 21401
+1.410.573.1515

Bob Rabbitt
brabbitt@avprojets.com



SPECIFICATIONS ARE PROVIDED FOR INFORMATIONAL PURPOSES ONLY AND DO NOT CONSTITUTE REPRESENTATIONS OR WARRANTIES. THESE SPECIFICATIONS ARE SUBJECT TO BUYER'S INDEPENDENT VERIFICATION UPON INSPECTION.
THE AIRCRAFT IS SUBJECT TO PRIOR SALE, LEASE AND/OR REMOVAL FROM THE MARKET WITHOUT PRIOR NOTICE. MARCH 23, 2023 5:02 PM

2019 Global 6000 SN 9831 N176HS (to be retained by Owner)



SPECIFICATIONS ARE PROVIDED FOR INFORMATIONAL PURPOSES ONLY AND DO NOT CONSTITUTE REPRESENTATIONS OR WARRANTIES. THESE SPECIFICATIONS ARE SUBJECT TO BUYER'S INDEPENDENT VERIFICATION UPON INSPECTION. THE AIRCRAFT IS SUBJECT TO PRIOR SALE, LEASE AND/OR REMOVAL FROM THE MARKET WITHOUT PRIOR NOTICE. MARCH 23, 2023 5:02 PM

AVPROJETS.COM
info@avprojets.com

900 Bestgate Road Suite 412 Annapolis, MD 21401
+1.410.573.1515

Bob Rabbitt
brabbitt@avprojets.com

2019 Global 6000 SN 9831 N176HS (to be retained by Owner)



SPECIFICATIONS ARE PROVIDED FOR INFORMATIONAL PURPOSES ONLY AND DO NOT CONSTITUTE REPRESENTATIONS OR WARRANTIES. THESE SPECIFICATIONS ARE SUBJECT TO BUYER'S INDEPENDENT VERIFICATION UPON INSPECTION.
THE AIRCRAFT IS SUBJECT TO PRIOR SALE, LEASE AND/OR REMOVAL FROM THE MARKET WITHOUT PRIOR NOTICE. MARCH 23, 2023 5:02 PM

AVPROJETS.COM
info@avprojets.com

900 Bestgate Road Suite 412 Annapolis, MD 21401
+1.410.573.1515

Bob Rabbitt
brabbitt@avprojets.com

2019 Global 6000 SN 9831 N176HS (to be retained by Owner)



SPECIFICATIONS ARE PROVIDED FOR INFORMATIONAL PURPOSES ONLY AND DO NOT CONSTITUTE REPRESENTATIONS OR WARRANTIES. THESE SPECIFICATIONS ARE SUBJECT TO BUYER'S INDEPENDENT VERIFICATION UPON INSPECTION.
THE AIRCRAFT IS SUBJECT TO PRIOR SALE, LEASE AND/OR REMOVAL FROM THE MARKET WITHOUT PRIOR NOTICE. MARCH 23, 2023 5:02 PM

AVPROJETS.COM
info@avprojets.com

900 Bestgate Road Suite 412 Annapolis, MD 21401
+1.410.573.1515

Bob Rabbitt
brabbitt@avprojets.com

2019 Global 6000 SN 9831 N176HS (to be retained by Owner)



SPECIFICATIONS ARE PROVIDED FOR INFORMATIONAL PURPOSES ONLY AND DO NOT CONSTITUTE REPRESENTATIONS OR WARRANTIES. THESE SPECIFICATIONS ARE SUBJECT TO BUYER'S INDEPENDENT VERIFICATION UPON INSPECTION.
THE AIRCRAFT IS SUBJECT TO PRIOR SALE, LEASE AND/OR REMOVAL FROM THE MARKET WITHOUT PRIOR NOTICE. MARCH 23, 2023 5:02 PM

AVPROJETS.COM
info@avprojets.com

900 Bestgate Road Suite 412 Annapolis, MD 21401
+1.410.573.1515

Bob Rabbitt
brabbitt@avprojets.com

2019 Global 6000 SN 9831 N176HS (to be retained by Owner)



SPECIFICATIONS ARE PROVIDED FOR INFORMATIONAL PURPOSES ONLY AND DO NOT CONSTITUTE REPRESENTATIONS OR WARRANTIES. THESE SPECIFICATIONS ARE SUBJECT TO BUYER'S INDEPENDENT VERIFICATION UPON INSPECTION.
THE AIRCRAFT IS SUBJECT TO PRIOR SALE, LEASE AND/OR REMOVAL FROM THE MARKET WITHOUT PRIOR NOTICE. MARCH 23, 2023 5:02 PM

AVPROJETS.COM
info@avprojets.com

900 Bestgate Road Suite 412 Annapolis, MD 21401
+1.410.573.1515

Bob Rabbitt
brabbitt@avprojets.com

2019 Global 6000 SN 9831 N176HS (to be retained by Owner)



SPECIFICATIONS ARE PROVIDED FOR INFORMATIONAL PURPOSES ONLY AND DO NOT CONSTITUTE REPRESENTATIONS OR WARRANTIES. THESE SPECIFICATIONS ARE SUBJECT TO BUYER'S INDEPENDENT VERIFICATION UPON INSPECTION.
THE AIRCRAFT IS SUBJECT TO PRIOR SALE, LEASE AND/OR REMOVAL FROM THE MARKET WITHOUT PRIOR NOTICE. MARCH 23, 2023 5:02 PM

AVPROJETS.COM
info@avprojets.com

900 Bestgate Road Suite 412 Annapolis, MD 21401
+1.410.573.1515

Bob Rabbitt
brabbitt@avprojets.com

2019 Global 6000 SN 9831 N176HS (to be retained by Owner)



SPECIFICATIONS ARE PROVIDED FOR INFORMATIONAL PURPOSES ONLY AND DO NOT CONSTITUTE REPRESENTATIONS OR WARRANTIES. THESE SPECIFICATIONS ARE SUBJECT TO BUYER'S INDEPENDENT VERIFICATION UPON INSPECTION.
THE AIRCRAFT IS SUBJECT TO PRIOR SALE, LEASE AND/OR REMOVAL FROM THE MARKET WITHOUT PRIOR NOTICE. MARCH 23, 2023 5:02 PM

AVPROJETS.COM
info@avprojets.com

900 Bestgate Road Suite 412 Annapolis, MD 21401
+1.410.573.1515

Bob Rabbitt
brabbitt@avprojets.com

2019 Global 6000 SN 9831 N176HS (to be retained by Owner)



SPECIFICATIONS ARE PROVIDED FOR INFORMATIONAL PURPOSES ONLY AND DO NOT CONSTITUTE REPRESENTATIONS OR WARRANTIES. THESE SPECIFICATIONS ARE SUBJECT TO BUYER'S INDEPENDENT VERIFICATION UPON INSPECTION.
THE AIRCRAFT IS SUBJECT TO PRIOR SALE, LEASE AND/OR REMOVAL FROM THE MARKET WITHOUT PRIOR NOTICE. MARCH 23, 2023 5:02 PM

AVPROJETS.COM
info@avprojets.com

900 Bestgate Road Suite 412 Annapolis, MD 21401
+1.410.573.1515

Bob Rabbitt
brabbitt@avprojets.com

2019 Global 6000 SN 9831 N176HS (to be retained by Owner)



SPECIFICATIONS ARE PROVIDED FOR INFORMATIONAL PURPOSES ONLY AND DO NOT CONSTITUTE REPRESENTATIONS OR WARRANTIES. THESE SPECIFICATIONS ARE SUBJECT TO BUYER'S INDEPENDENT VERIFICATION UPON INSPECTION.
THE AIRCRAFT IS SUBJECT TO PRIOR SALE, LEASE AND/OR REMOVAL FROM THE MARKET WITHOUT PRIOR NOTICE. MARCH 23, 2023 5:02 PM

AVPROJETS.COM
info@avprojets.com

900 Bestgate Road Suite 412 Annapolis, MD 21401
+1.410.573.1515

Bob Rabbitt
brabbitt@avprojets.com

2019 Global 6000 SN 9831 N176HS (to be retained by Owner)



SPECIFICATIONS ARE PROVIDED FOR INFORMATIONAL PURPOSES ONLY AND DO NOT CONSTITUTE REPRESENTATIONS OR WARRANTIES. THESE SPECIFICATIONS ARE SUBJECT TO BUYER'S INDEPENDENT VERIFICATION UPON INSPECTION.
THE AIRCRAFT IS SUBJECT TO PRIOR SALE, LEASE AND/OR REMOVAL FROM THE MARKET WITHOUT PRIOR NOTICE. MARCH 23, 2023 5:02 PM

AVPROJETS.COM
info@avprojets.com

900 Bestgate Road Suite 412 Annapolis, MD 21401
+1.410.573.1515

Bob Rabbitt
brabbitt@avprojets.com

2019 Global 6000 SN 9831 N176HS (to be retained by Owner)



SPECIFICATIONS ARE PROVIDED FOR INFORMATIONAL PURPOSES ONLY AND DO NOT CONSTITUTE REPRESENTATIONS OR WARRANTIES. THESE SPECIFICATIONS ARE SUBJECT TO BUYER'S INDEPENDENT VERIFICATION UPON INSPECTION.
THE AIRCRAFT IS SUBJECT TO PRIOR SALE, LEASE AND/OR REMOVAL FROM THE MARKET WITHOUT PRIOR NOTICE. MARCH 23, 2023 5:02 PM

AVPROJETS.COM
info@avprojets.com

900 Bestgate Road Suite 412 Annapolis, MD 21401
+1.410.573.1515

Bob Rabbitt
brabbitt@avprojets.com

2019 Global 6000 SN 9831 N176HS (to be retained by Owner)



SPECIFICATIONS ARE PROVIDED FOR INFORMATIONAL PURPOSES ONLY AND DO NOT CONSTITUTE REPRESENTATIONS OR WARRANTIES. THESE SPECIFICATIONS ARE SUBJECT TO BUYER'S INDEPENDENT VERIFICATION UPON INSPECTION.
THE AIRCRAFT IS SUBJECT TO PRIOR SALE, LEASE AND/OR REMOVAL FROM THE MARKET WITHOUT PRIOR NOTICE. MARCH 23, 2023 5:02 PM

AVPROJETS.COM
info@avprojets.com

900 Bestgate Road Suite 412 Annapolis, MD 21401
+1.410.573.1515

Bob Rabbitt
brabbitt@avprojets.com

2019 Global 6000 SN 9831 N176HS (to be retained by Owner)



SPECIFICATIONS ARE PROVIDED FOR INFORMATIONAL PURPOSES ONLY AND DO NOT CONSTITUTE REPRESENTATIONS OR WARRANTIES. THESE SPECIFICATIONS ARE SUBJECT TO BUYER'S INDEPENDENT VERIFICATION UPON INSPECTION.
THE AIRCRAFT IS SUBJECT TO PRIOR SALE, LEASE AND/OR REMOVAL FROM THE MARKET WITHOUT PRIOR NOTICE. MARCH 23, 2023 5:02 PM

AVPROJETS.COM
info@avprojets.com

900 Bestgate Road Suite 412 Annapolis, MD 21401
+1.410.573.1515

Bob Rabbitt
brabbitt@avprojets.com

2019 Global 6000 SN 9831 N176HS (to be retained by Owner)



SPECIFICATIONS ARE PROVIDED FOR INFORMATIONAL PURPOSES ONLY AND DO NOT CONSTITUTE REPRESENTATIONS OR WARRANTIES. THESE SPECIFICATIONS ARE SUBJECT TO BUYER'S INDEPENDENT VERIFICATION UPON INSPECTION.
THE AIRCRAFT IS SUBJECT TO PRIOR SALE, LEASE AND/OR REMOVAL FROM THE MARKET WITHOUT PRIOR NOTICE. MARCH 23, 2023 5:02 PM

AVPROJETS.COM
info@avprojets.com

900 Bestgate Road Suite 412 Annapolis, MD 21401
+1.410.573.1515

Bob Rabbitt
brabbitt@avprojets.com

2019 Global 6000 SN 9831 N176HS (to be retained by Owner)



SPECIFICATIONS ARE PROVIDED FOR INFORMATIONAL PURPOSES ONLY AND DO NOT CONSTITUTE REPRESENTATIONS OR WARRANTIES. THESE SPECIFICATIONS ARE SUBJECT TO BUYER'S INDEPENDENT VERIFICATION UPON INSPECTION.
THE AIRCRAFT IS SUBJECT TO PRIOR SALE, LEASE AND/OR REMOVAL FROM THE MARKET WITHOUT PRIOR NOTICE. MARCH 23, 2023 5:02 PM

AVPROJETS.COM
info@avprojets.com

900 Bestgate Road Suite 412 Annapolis, MD 21401
+1.410.573.1515

Bob Rabbitt
brabbitt@avprojets.com

2019 Global 6000 SN 9831 N176HS (to be retained by Owner)



SPECIFICATIONS ARE PROVIDED FOR INFORMATIONAL PURPOSES ONLY AND DO NOT CONSTITUTE REPRESENTATIONS OR WARRANTIES. THESE SPECIFICATIONS ARE SUBJECT TO BUYER'S INDEPENDENT VERIFICATION UPON INSPECTION.
THE AIRCRAFT IS SUBJECT TO PRIOR SALE, LEASE AND/OR REMOVAL FROM THE MARKET WITHOUT PRIOR NOTICE. MARCH 23, 2023 5:02 PM

AVPROJETS.COM
info@avprojets.com

900 Bestgate Road Suite 412 Annapolis, MD 21401
+1.410.573.1515

Bob Rabbitt
brabbitt@avprojets.com



AVPRO INC.

CELEBRATING OVER **30** YEARS OF EXCELLENCE

We perform for our clients, averaging two transactions a week.

We match aircraft to your specifications in a professional and timely manner, allowing you to concentrate on your business, leaving the important details of marketing, market research, negotiating and contracting to us.

Avpro offers aircraft financing advisory services. We have the expertise to navigate the appropriate structure, costs and terms to help you meet your objectives. We are ready to provide advice, analysis and sourcing of the lender best suited to meet your requirements.

SERVING CUSTOMERS
AROUND THE GLOBE

Talk to Us info@avprojets.com +1.410.573.1515

Connect with Us LINKEDIN FACEBOOK TWITTER INSTAGRAM

